



Secure Stack[®] Pro

Modular Double-Wall Positive Pressure Chimney
Boiler Breeching & Stack and Engine Exhaust
Grease Duct



www.securitychimneys.com
800-361-4909 (US) 800-667-3387 (Canada)

Secure Stack® Pro

The Secure Stack® Pro Series, Models CAX1, CIX1, CIX2, and CIX4 venting systems are designed to offer the ultimate in installation convenience and versatility for a variety of applications. Certified for commercial chimney, boiler breeching & stack, diesel exhaust, and Grease Duct applications. Thick-gauge material for the inner pipe and coupling provides a strong and rigid assembly. Self-centering flue extension significantly simplifies and accelerates the installation process.

A TRADITION OF EXCELLENCE

For over 50 years, Security Chimneys has been an innovator in the venting field and a market leader in North America. Instrumental in the company's growth has been an ongoing focus on product improvement and the introduction of new, innovative products. The Secure Stack Pro venting systems are prime examples of our constant quest for more cost-effective, versatile and reliable product solutions.

DESIGNED WITH PERFORMANCE IN MIND

Available in sizes from 5" to 36" diameters, the CIX models offer a choice of 1", 2", or 4" insulated double wall chimneys, and the CAX1 offers a 1" air insulated product. For premium corrosion resistance and durability, the inner flue is constructed from 0.035" thick 304 or 316 Stainless Steel. This is coupled with a 0.024" thick 304 Stainless Steel or Galvalume (Aluminum-zinc coated) steel outer casing. CIX models are lined with the highest-quality AES Wool insulation, densely packed to ensure low heat loss, maximum draft, and the lowest clearance to combustible materials.



LISTED TO STANDARDS:

UL 103
UL 103HT
ULC C604
ULC C959
UL 1978
CAN/ULC S662
UL 2561 - *except SCL*



SECURITY CHIMNEYS SECURE STACK® PRO A POSITIVE PRESSURE SYSTEM



The Secure Stack® Pro Series Difference:

Features	Benefits
Self-centering	<ul style="list-style-type: none"> • Components line up easily and quickly • Fast and efficient installations
Thinner-gauge material on outside casing	<ul style="list-style-type: none"> • Lower weight • Easier to install

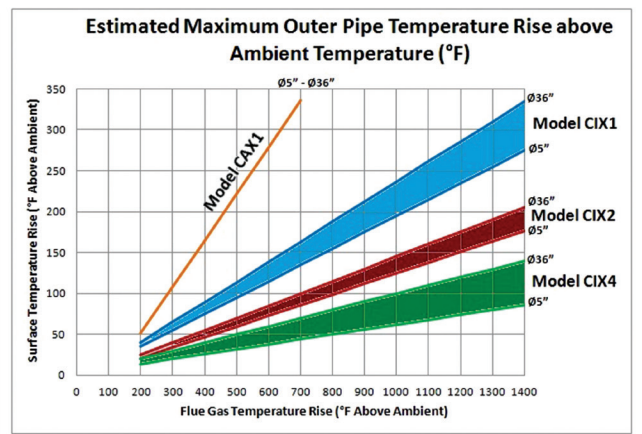
REFRACTORY AES WOOL INSULATION

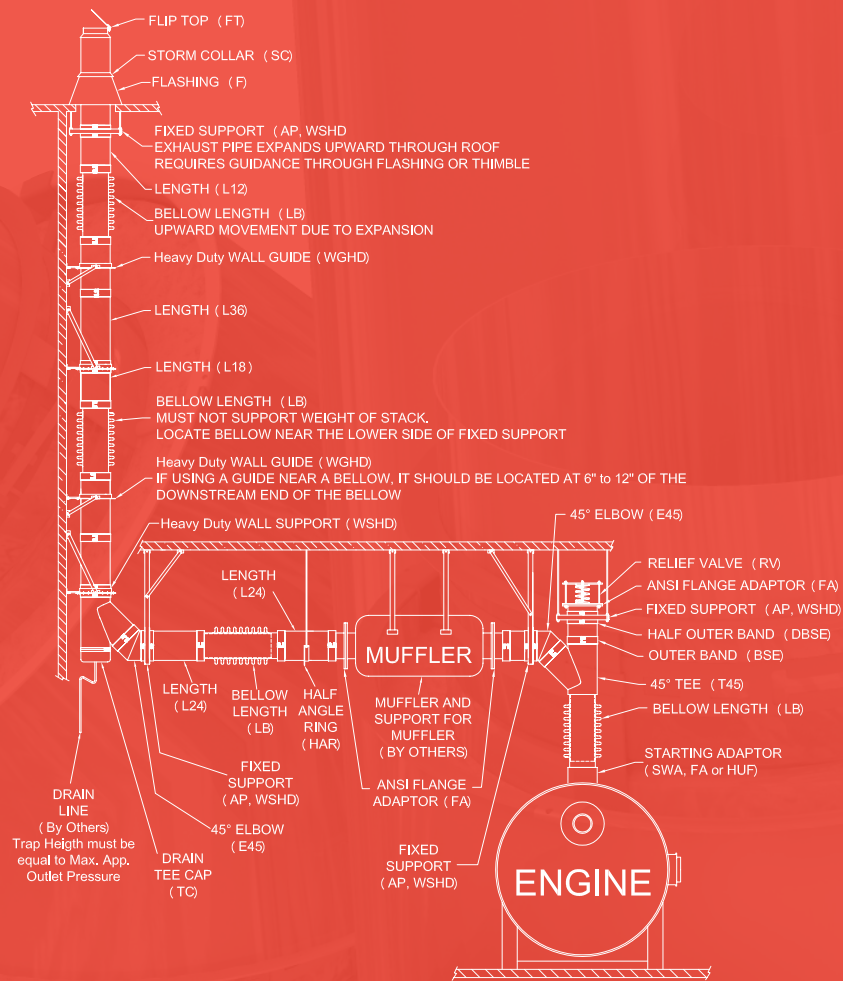
Security Chimneys understands the needs of the industry and is always pushing the design envelope to embrace new technologies. With our dedicated effort to offer the best performing products, Secure Stack Pro Series utilizes Refractory Alkaline Earth Silicate (AES) Wool Insulation. AES Wool displaces the old “ceramic fiber” type insulations many manufacturers are still using today. The AES Wool featured in our products meets the requirements requested under NOTA Q and are exonerated from classification and labelling regulation in Europe.

When compared to ceramic fiber, AES Wool insulation offers:

- **Approximately 80% lower Biopersistance* half-life**
- **Superior thermal insulation properties**
- **Improved tensile strength, compression & resilience**
- **Increased energy efficiency, leading to significant weight and cost savings**

*Biopersistance is the ability of fibers to resist removal from the lungs by natural mechanisms (i.e., dissolution and breakage). Ceramic fiber insulation is classified as a Class 2 Carcinogen in the European Union and classified as a possible carcinogen in the United States and Canada.





TYPICAL ENGINE EXHAUST INSTALLATION

Selection guide

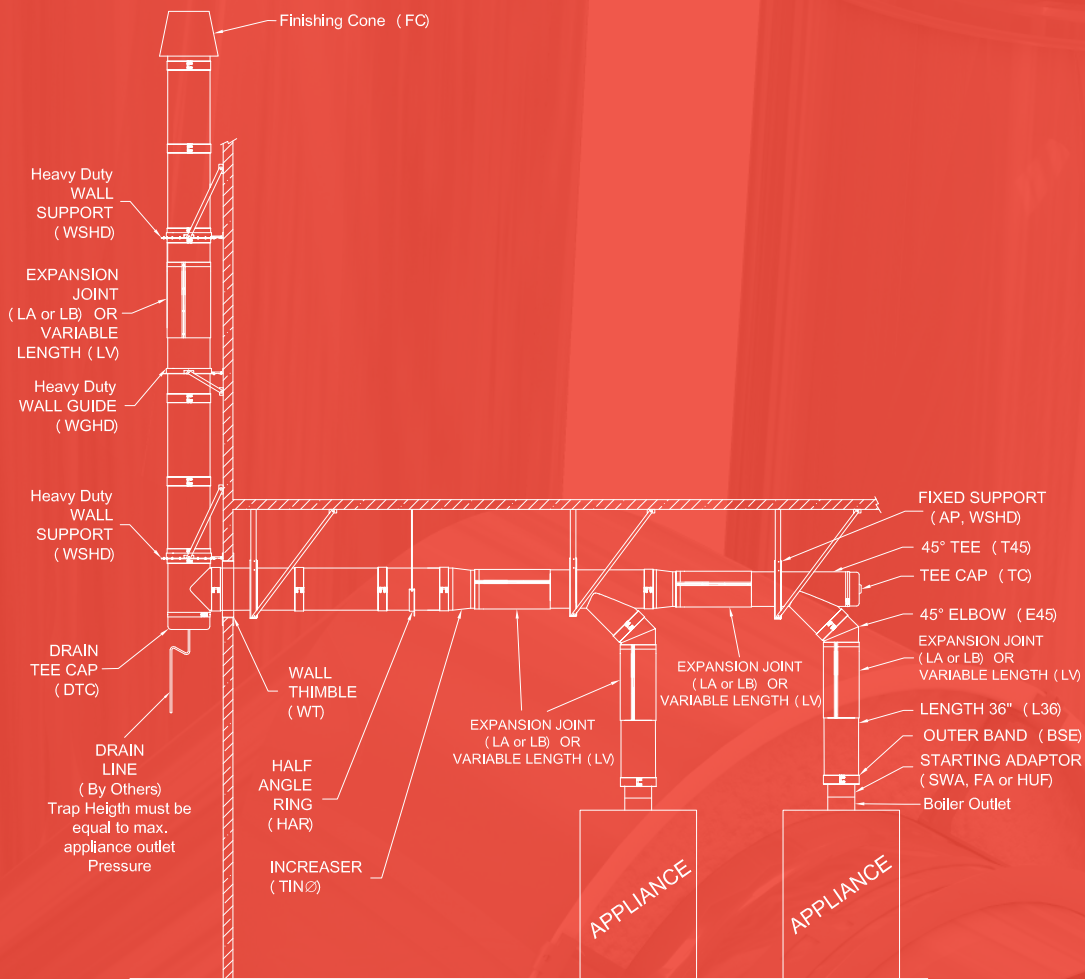
PRESSURE RATED CHIMNEYS & VENT

MODELS	SCL	CAX1	CIX1	CIX2	CIX4
DESCRIPTION	Single Wall	Double Wall	Double Wall	Double Wall	Double Wall
TYPE OF INSULATION	none	1" Air Insulated	1" AES Wool	2" AES Wool	4" AES Wool
LISTING	UL 2561 UL 103 ULC C604 ULC C959 UL 1978	UL 2561 UL 103 ULC C604 ULC C959 UL 1978	UL 103 HT UL 103 UL 2561 ULC C604 ULC C959 UL 1978	UL 103 HT UL 103 UL 2561 ULC C604 ULC C959 UL 1978	UL 103 HT UL 103 UL 2561 ULC C604 ULC C959 UL 1978
PRESSURE	Positive (up to 60" w.c.) --- Neutral --- Negative				

CONSTRUCTION		
WALL	Flues	Casings
THICKNESS	0.035"	0.024"
OPTIONS OF MATERIALS	304, 316 Stainless	Galvalume, 304

DIAMETERS AVAILABLE	
Ø5" to Ø14"	Increment of 1"
Ø16" to Ø36"	Increment of 2"

APPLICATIONS					
Chimneys	Vents	Stationary Combustion Engines	Stacks	Solid Fuel Burning Appliances	Stationary Gas Turbines
Commercial Fireplaces	Building Heating Appliances	Fume Exhausts / Venting ¹	Air duct	1400°F Chimneys	Grease Duct
1 - Consult appropriate authority to determine fume compatibility with 304-316 stainless steels & silicone sealants					



TYPICAL BOILER INSTALLATION

Selection guide

PART NUMBERS

These instructions identify major model parts by name and part number.

Example:

CIX1 36" length with inside diameter 14" made of SS inner liner and SS 304 outer casing: Code = CIX1-14L36BC.

CIX1-	14	L36	BC
Model	Dia.	Part	Material

CAX1 30° elbow with inside diameter 22" made of 304 inner flue and galvalume outer casing: Code = CAX1-22E30CE.

CAX1-	22	E30	CE
Model	Dia.	Part	Material

SCL wall support for 8" diameter grease duct made of galvalume: Code = **SCL8WSE**:

SCL	8	WS	E
Model	Dia	Part	Material

Material Code Designations

B	Type 316 Stainless Steel
C	Type 304 Stainless Steel
E	Alu-Zinc coating (Galvalume)

Example:

CIX1-6T90CC

CIX1-6 = 6" inside diameter

T90 = 90 Tee

CC = 304/304 Inner/Outer Material

Use only factory-supplied components. Failure to do so will void the certification and the warranty of the chimney system.

EFFECTIVE LENGTH AND THICKNESS

The effective length is the length of the part when it is assembled.

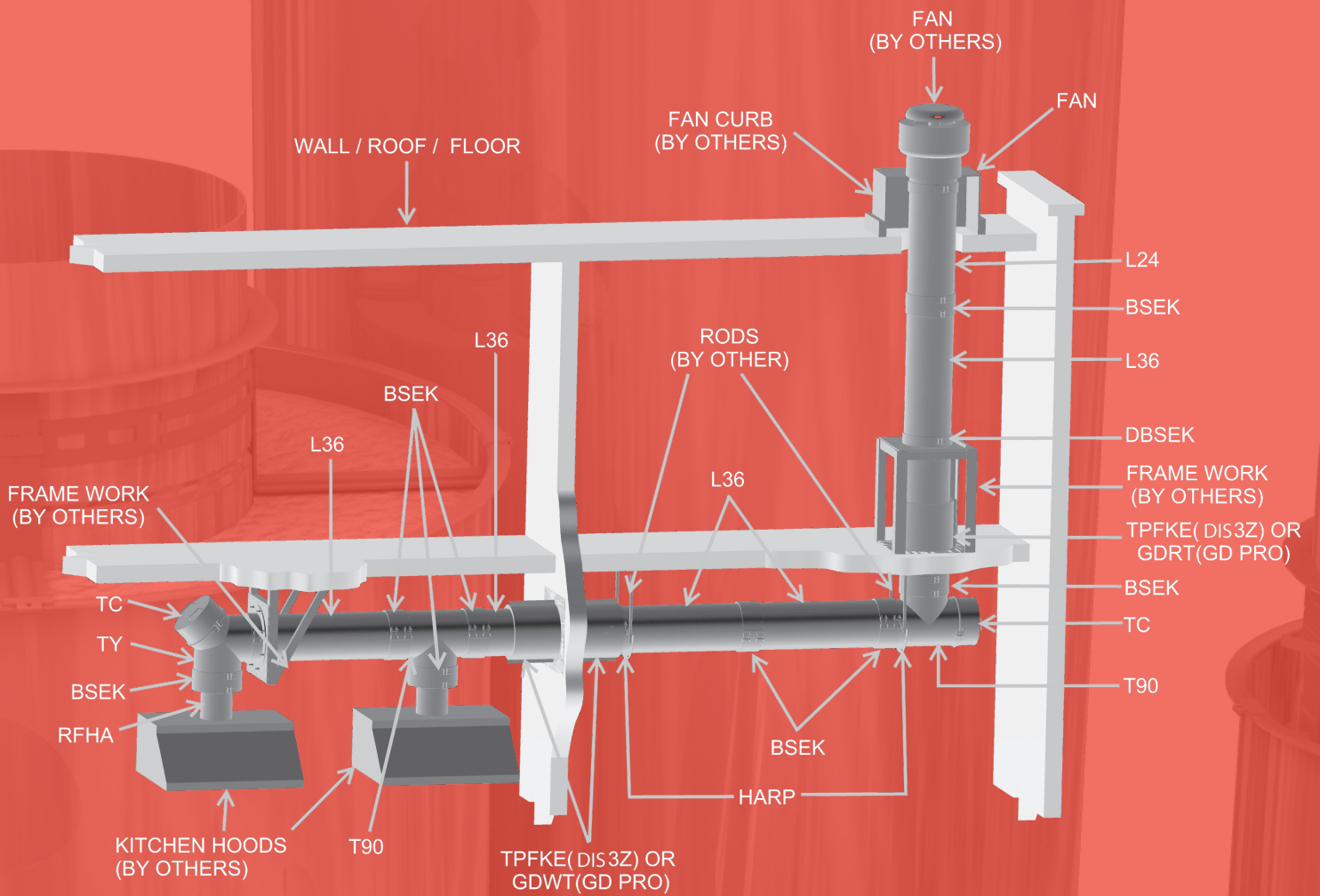
Effective length

L36	36 1/8"
L24	24 1/8"
L18	17 5/8"
L12	11 5/8"

Thickness for Ø5" to Ø36"

Inner Wall: 0.035"

Outer Wall: 0.024"



TYPICAL GREASE DUCT INSTALLATION

Selection guide

**Clearance to Combustible (Unenclosed Surrounding)
(from the outer band)**

Grease Duct - UL 1978 (500°F)

Ø	CAX1	CIX1	CIX2 and CIX4	SCL
5	4	2	1	18
6	5	2	1	18
7	5	2	1	18
8	5	2	1	18
9	5	2	1	18
10	5	2	1	18
11	5	2	1	18
12	6	2	1	18
13	6	2	1	18
14	6	2	1	18
16	6	3	1	18
18	7	3	2	18
20	7	3	2	18
22	7	3	2	18
24	8	3	2	18
26	8	4	2	18
28	8	4	2	18
30	9	4	2	18
32	9	4	3	18
34	9	4	3	18
36	10	5	3	18

Dimensions are in inches

Note: Clearance to non combustible is 0" for all models and diameter

Minimum Air Space CLEARANCE to Unenclosed Combustible Surroundings (adjacent to maximum of two walls). Building Heating Appliance & 1400°F Chimney

Duct Model	Flue Diameter Ø (in)	Clearance to Combustible (in)	Clearance to Non-Combustible (in)
SCL*	Ø5 to Ø36	18	0
	Ø5 to Ø6	4	0
CAX1	Ø7 to Ø14	5	0
	Ø16 to Ø22	6	0
	Ø24 to Ø30	7	0
	Ø32 to Ø36	8	0
CIX1 (UL 103 Type HT Ø5 to Ø24 only)	Ø5 to Ø6	1	0
	Ø7 to Ø14	2	0
	Ø16 to Ø22	3	0
	Ø24 to Ø30	4	0
CIX2 & CIX4 (UL 103 Type HT Ø5 to Ø24 only)	Ø32 to Ø36	5	0
	Ø5 to Ø14	1	0
	Ø16 to Ø30	2	0
	Ø32 to Ø36	3	0

Dimensions are in inches

*Building heating appliance only

Engineering section

The term 'Pressure Stack' typically refers to positive pressure chimneys that can be used for boiler breeching and stack, as well as diesel and turbine exhaust, building heating equipment, industrial furnaces, processing equipment, kilns and ovens, and other heavy duty applications with high temperature exhaust requirements.

In the United States, factory built chimneys are intended for use in accordance with NFPA 211, the Standard for Chimneys, Fireplaces, Vents, and Solid-Fuel Burning Appliances, and in accordance with models codes such as the International Mechanical Code, the International Residential Code, and the Uniform Mechanical Code. In Canada, factory built chimneys are intended for use in accordance with the National Building Code of Canada, Installation Code for Oil Burning Equipment, CAN/CSA-B139, and for Gas Burning Equipment, CAN/CGA-B149.1 and CAN/CGA-B149.2.

Factory built chimneys are designed, tested, and certified for installation inside or outside of buildings, or both, to transport flue gases to the outside. Security Chimneys Secure Stack Pro series of modular double-wall positive pressure venting systems have been designed and engineered to not only meet, but exceed the rigorous requirements of many test standards

Below is a brief summary of the standards that Secure Stack Pro was tested and certified under. For more details about the specifics of our Underwrites Laboratories (UL) product listings, consult the UL Online Certifications Directory.



UL 103 BUILDING HEATING APPLIANCE CHIMNEY LISTING:

Under this category, models SCL, CAX1, CIX1, CIX2, and CIX4 have been determined suitable for venting flue gases at temperatures not exceeding 538°C (1000°F) under continuous operating conditions from gas, liquid, oil or solid fuel fired appliances. Also complies with operation (less than one hour) at temperatures not exceeding 740°C (1400°F) and brief operation (maximum 10 minutes) at temperatures not exceeding 906°C (1700°F). Building heating appliance chimneys are suitable for use with building heating appliances and low heat appliances as described in the chimney selection chart of national fire protection association (nfpa) standard no. 211.

UL-103(HT) - STANDARD FOR FACTORY-BUILT CHIMNEYS FOR RESIDENTIAL TYPE AND BUILDING HEATING APPLIANCES

The UL-103 standard applies to factory-built chimneys intended for venting gas, liquid, and solid-fuel fired residential-type appliances and building heating appliances in which the maximum continuous flue-gas outlet temperatures do not exceed 1000°F (538°C).

Tests included in this standard are designed to test the structural and thermal properties of the chimney and includes tests such as the Thermal Shock Test, Temperature Test (at 1000°F, 1400°F, 1700°F, and if required 2100°F). In order to qualify for the UL-103HT listing, a chimney that is tested under the UL-103 standard must successfully complete the requirements of the 2100°F (1149°C) Flue Gases Temperature Test, conducted 3 times. After being subjected to the tests listed, as applicable, a chimney shall be capable of being used further. The following results indicate compliance:

Engineering section

- No part of the chimney has become damaged or permanently distorted to an extent that it or the chimney assembly does not continue to function as intended.
- The effectiveness of any required protective coating or finish on metal parts has not been reduced.
- A ceramic material shows no evidence of cracking, disintegration, or spalling to the extent that serviceability of any part of an assembly has been impaired.
- Cracks are not observable in porcelain enamel used as a required protective coating when the surface is examined under a microscope of 60 magnification.
- The reflectivity of a surface has not been impaired when the reflectivity is utilized to reduce the risk of fire.
- Burning or scaling of metal parts is not evident upon visual observation.
- The effectiveness of insulating material has not been reduced.

Additional tests included in this standard are the Positive Pressure Applications Test, Draft Test, Vertical Support Test, Strength Tests (Impact, Longitudinal Force, Load Test for Chimney Elbows, Joint Load, and Joint Torsion Test), Wind Load Test, Rain Test, and other tests related to the components used in the chimney construction.

UL-2561 - STANDARD FOR 1400 DEGREE FAHRENHEIT FACTORY-BUILT CHIMNEYS

This standard applies to factory-built 1400 degree Fahrenheit chimneys intended for venting gas, liquid, and solid-fuel-fired appliances in which the maximum continuous flue-gas temperatures do not exceed 1400°F (760°C).

Similar in nature to UL-103(HT), this standard covers many of the same tests designed to test the structural and thermal properties of the chimney. UL-2561 is intended for chimneys that will be used in a more industrial application where flue gas exhaust temperatures are higher, and therefore includes a Temperature Test at 1400°F and 1800°F.

ULC-C604 - STANDARD FOR FACTORY-BUILT TYPE A CHIMNEYS

This standard applies to Factory-Built Type 'A' Chimneys which do not require field fabrication. They are for use with gas and liquid fuel-fired residential appliances and building heating equipment, where the appliance or equipment flue-gas temperatures do not exceed 540°C. They are intended for use in accordance with the National Building Code of Canada, Installation Code for Oil Burning Equipment, CAN/CSA-B139, and for Gas Burning Equipment, CAN/CGA-B149.1 and CAN/CGA-B149.2.

Tests included in this standard are designed to test the structural and thermal properties of the chimney and includes tests such as the Thermal Shock Test, Temperature Test (at 540°C and 760°C), Soot Burnout, Draft Test, Support Test, Strength Test, Wind Load Test, and other tests related to the components used in the chimney construction.

ULC/ORD-C959 - CHIMNEYS, INDUSTRIAL 540°C AND 760°C

This standard applies to Factory-Built industrial chimneys intended for use with certain process equipment and large oil or gas burning building heating appliances normally producing flue gas temperatures of 540°C or 760°C, or less as applicable.

Tests included in this standard are designed to test the structural and thermal properties of the chimney and include more stringent tests compared to ULC-C604, including the Thermal Shock Test, Temperature Test (at 540°C and 760°C, and if applicable 925°C and 980°C), Support Test, Strength Test, Wind Load Test, and other tests related to the components used in the chimney construction.

UL 1978 – STANDARDS FOR GREASE DUCTS

This standard applies to factory-built grease ducts, and grease duct assemblies that are intended to be installed at reduced clearances where 18 inch clearance is specified in NFPA 96 and the International Mechanical Code. These requirements also cover modular grease duct assemblies, unwelded connections between adjoining duct parts, fittings, access doors, and the like intended for use with grease ducts installed in accordance with NFPA 96 and the International Mechanical Code.

Engineering section

Security single wall and double wall model venting systems are Listed by Underwriters Laboratories, Inc. (UL) in the following product categories and in the diameters indicated:

Model SCL (Single wall)	
UL 103 - Building Heating Appliance Chimney	5" - 36" ID
UL 1978 - Grease Duct ULC S662 - Grease Duct	5" - 36" ID

Model CAX1 (Double wall, 1" air insulation)	
UL 103 - Building Heating Appliance Chimney	5" - 36" ID
UL 2561 - 1400° Fahrenheit Chimney	5" - 36" ID
UL 1978 - Grease Duct ULC S662 - Grease Duct	5" - 36" ID

Model CIX1, CIX2, CIX4 (Double wall, fiber insulation)	
UL 103 - Building Heating Appliance Chimney	5" - 36" ID
UL 103 HT - Building Heating Appliance Chimney(Type HT)	5" - 24" ID
UL 2561 - 1400° Fahrenheit Chimney	5" - 36" ID
UL 1978 - Grease Duct ULC S662 - Grease Duct	5" - 36" ID

Security Models SCL, CAX1, CIX1, CIX2, and CIX4 chimneys may penetrate a combustible floor, wall, or roof using the appropriate parts and openings sizes.

NOTE: Do not enclose with combustible materials

In the case of a fire rated enclosure made of non-combustible or limited combustible construction, the minimum clearance with the Model SCL must be 6" or as required by local code.

ADDITIONAL APPLICATIONS

Models SCL, CAX1, CIX1, CIX2, and CIX4 are also suitable for negative, neutral or positive pressure pre-fabricated piping systems intended for use in a variety of applications including but not limited to the following: Fume Venting, Chutes, Particle Conveying, Dryer Vents and Ventilation Ducts.

MIXING PARTS

Model SCL, CAX1, CIX1, CIX2, CIX4 and CIX3Z may be intermixed within a system, assuming proper clearances are maintained for respective components. When penetrating a roof, appropriate roof penetration components must be used. Do not use Model SCL to penetrate through a wall, floor or roof.

Lengths

Length (L12, L18, L24, L36)

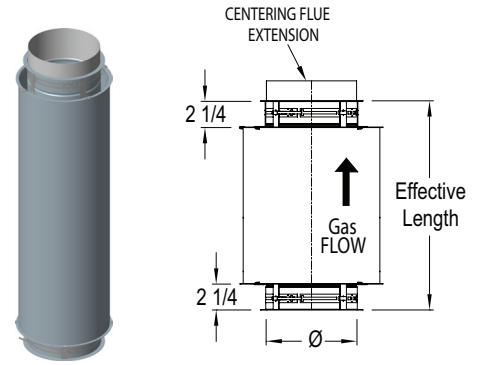
Used as standard duct lengths. Available in sizes from 5" to 36".

Included:

For SCL: One (1) Locking Inner "V" Band (BSI), and one (1) Centering Flue Extension (PR-C0794).

For CAX1: One (1) Locking Inner "V" Band (BSI), one (1) Centering Flue Extension (PR-C0794), and one (1) Outer Band (BSE).

For CIX1, CIX2, and CIX4: One (1) Locking Inner "V" Band (BSI), one (1) Centering Flue Extension (PR-C0794), one (1) 6" insulation band, and one (1) Outer Band (BSE).



Ø (in)	Length	Effective Length (in)	SCL (Single Wall)		CAX1 (1" air) / CIX1 (1" Wool Insulated)		CIX2 (2" Wool Insulated)		CIX4 (4" Wool Insulated)		
			ØB (O.D.)	Product Code	ØB (O.D.)	Product Code	ØB (O.D.)	Product Code	ØB (O.D.)	Product Code	
Ø5" to Ø36"	L12	11 5/8"	Ø	SCLØL12	Ø + 2"	CAX1-ØL12	CIX1-ØL12	Ø + 4"	CIX2-ØL12	Ø + 8"	CIX4-ØL12
Ø5" to Ø36"	L18	17 5/8"		SCLØL18		CAX1-ØL18	CIX1-ØL18		CIX2-ØL18		CIX4-ØL18
Ø5" to Ø36"	L24	24 1/8"		SCLØL24		CAX1-ØL24	CIX1-ØL24		CIX2-ØL24		CIX4-ØL24
Ø5" to Ø36"	L36	36 1/8"		SCLØL36		CAX1-ØL36	CIX1-ØL36		CIX2-ØL36		CIX4-ØL36

Material options (Inner-Outer): 304-Galvalume, 304-304, 316-Galvalume, 316-304

Flow resistance:

Ø5" to Ø16": K = 0.4 (eff. length [ft] / Ø [in])

Ø18" to Ø36": K = 0.3 (eff. length [ft] / Ø [in])

For Engine and Turbine Exhausts: K = 0.25 (eff. length [ft] / Ø [in])

Adjustable Lengths (LA)

Used to adjust to fit odd dimensions and compensate for thermal expansion. Suitable for application on low positive pressure system with less than 1" water column.

Included:

For SCL: One (1) Locking Inner "V" Band (BSI), one (1) Graphite packing kit on a inner liner, a special tool for proper installation of Graphite packing, and hardware.

For CAX1: One (1) Locking Inner "V" Band (BSI), one (1) Graphite packing kit on a inner liner, a special tool for proper installation of Graphite packing, two half casing, and hardware.

For CIX1, CIX2, and CIX4: One (1) Locking Inner "V" Band (BSI), one (1) Graphite packing kit on an inner liner, a special tool for proper installation of Graphite packing, two half casing, insulation pad, and hardware.

Ø (in.)	Effective Length (in.)	Product Code				
		SCL (Single Wall)	CAX1 (1" air)	CIX1 (1" insulated)	CIX2 (2" insulated)	CIX4 (4" insulated)
Ø5" to Ø36"	7 1/4" to 28 3/8"	SCLØLA	CAX1-ØLA	CIX1-ØLA	CIX2-ØLA	CIX4-ØLA

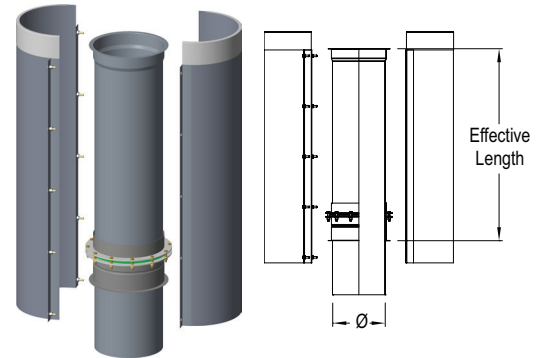
Material options (Inner-Outer): 304-Galvalume, 304-304, 316-Galvalume, 316-304

Flow resistance:

Ø5" to Ø16": K = 0.4 (eff. length [ft] / Ø [in])

Ø18" to Ø36": K = 0.3 (eff. length [ft] / Ø [in])

For Engine and Turbine Exhausts: K = 0.25 (eff. length [ft] / Ø [in])



Variable Lengths (LV)

Used to adjust to fit odd dimensions. Not used for thermal expansion. Can be used in positive pressure applications.

Included:

For SCL: One (1) Locking Inner "V" Band (BSI), one (1) collar kit on the inner liner with a special locking band (BS), and hardware.

For CAX1: One (1) Locking Inner "V" Band (BSI), one (1) collar kit on the inner liner with a special locking band (BS), two half casing, and hardware.

For CIX1, CIX2, and CIX4: One (1) Locking Inner "V" Band (BSI), one (1) collar kit on the inner liner with a special locking band (BS), two half casing, insulation pad, and hardware.

Ø (in.)	Effective Length (in.)	Product Code				
		SCL (Single Wall)	CAX1 (1" air)	CIX1 (1" insulated)	CIX2 (2" insulated)	CIX4 (4" insulated)
Ø5" to Ø36"	7" to 28 1/2"	SCLØLV	CAX1-ØLV	CIX1-ØLV	CIX2-ØLV	CIX4-ØLV

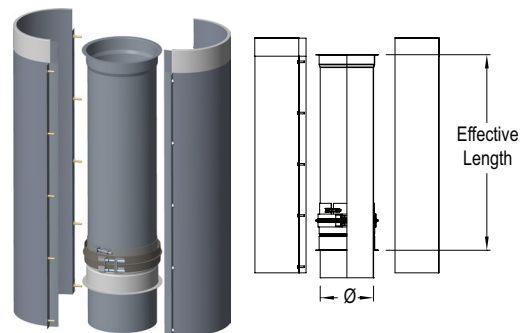
Material options (Inner-Outer): 304-Galvalume, 304-304, 316-Galvalume, 316-304

Flow resistance:

Ø5" to Ø16": K = 0.4 (eff. length [ft] / Ø [in])

Ø18" to Ø36": K = 0.3 (eff. length [ft] / Ø [in])

For Engine and Turbine Exhausts: K = 0.25 (eff. length [ft] / Ø [in])



Lengths

Bellow Lengths (LB)

Recommended for Diesel Engines / Turbine Exhausts. May be used in place of the Adjustable Lengths (LA) as an expansion joint to compensate for linear thermal expansion in chimney systems. Maximum compressive travel is 3".

Included:

For SCL: One (1) Locking Inner "V" Band (BSI), and one (1) Centering Flue Extension (PR-C0794).

For CAX1: One (1) Locking Inner "V" Band (BSI), one (1) Centering Flue Extension (PR-C0794), and one (1) Outer Band (BSE).

For CIX1, CIX2, and CIX4: One (1) Locking Inner "V" Band (BSI), one (1) Centering Flue Extension (PR-C0794), one (1) 6" insulation band, one (1) Outer Band (BSE), a special tool for proper installation of Graphite packing, two half casing, insulation pad, and hardware.

Ø (in.)	Effective Length (in.)	Product Code				
		SCL (Single Wall)	CAX1 (1" air)	CIX1 (1" insulated)	CIX2 (2" insulated)	CIX4 (4" insulated)
Ø5" to Ø36"	25 1/16"	SCLØLB	CAX1-ØLB	CIX1-ØLB	CIX2-ØLB	CIX4-ØLB

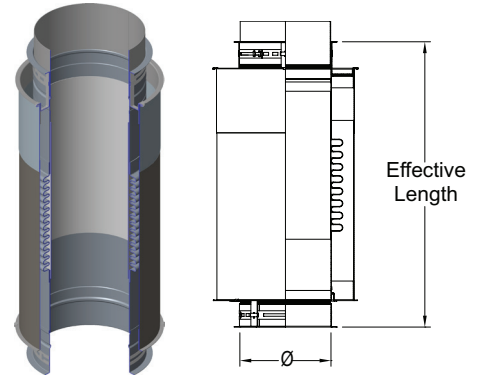
Material options (Inner-Outer): 304-Galvalume, 304-304, 316-Galvalume, 316-304

Flow resistance:

Ø5" to Ø16": K = 0.4 (eff. length [ft] / Ø [in])

Ø18" to Ø36": K = 0.3 (eff. length [ft] / Ø [in])

For Engine and Turbine Exhausts: K = 0.25 (eff. length [ft] / Ø [in])



Drain Lengths (DL)

Used to drain condensation from inner wall on vertical runs. 1" NPT nipple.

Included:

For SCL: One (1) Locking Inner "V" Band (BSI), and one (1) Centering Flue Extension (PR-C0794).

For CAX1: One (1) Locking Inner "V" Band (BSI), one (1) Centering Flue Extension (PR-C0794), and one (1) Outer Band (BSE).

For CIX1, CIX2, and CIX4: One (1) Locking Inner "V" Band (BSI), one (1) Centering Flue Extension (PR-C0794), one (1) 6" insulation band, and one (1) Outer Band (BSE).

Ø (in.)	Effective Length (in.)	Product Code				
		SCL (Single Wall)	CAX1 (1" air)	CIX1 (1" insulated)	CIX2 (2" insulated)	CIX4 (4" insulated)
Ø5" to Ø36"	17 9/16"	SCLØDL	CAX1-ØDL	CIX1-ØDL	CIX2-ØDL	CIX4-ØDL

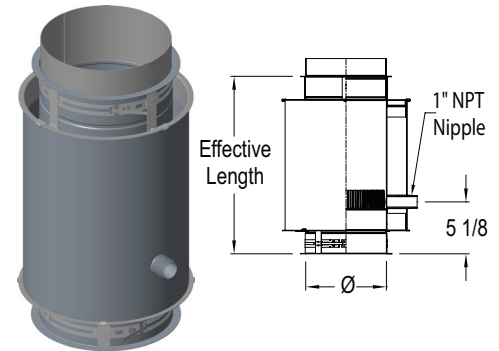
Material options (Inner-Outer): 304-Galvalume, 304-304, 316-Galvalume, 316-304

Flow resistance:

Ø5" to Ø16": K = 0.4 (eff. length [ft] / Ø [in])

Ø18" to Ø36": K = 0.3 (eff. length [ft] / Ø [in])

For Engine and Turbine Exhausts: K = 0.25 (eff. length [ft] / Ø [in])



Horizontal Drain Lengths (HDL)

Used as a horizontal drain section on horizontal runs. 1" NPT nipple.

Included:

For SCL: One (1) Locking Inner "V" Band (BSI), and one (1) Centering Flue Extension (PR-C0794).

For CAX1: One (1) Locking Inner "V" Band (BSI), one (1) Centering Flue Extension (PR-C0794), and one (1) Outer Band (BSE).

For CIX1, CIX2 and CIX4: One (1) Locking Inner "V" Band (BSI), one (1) Centering Flue Extension (PR-C0794), one (1) 6" insulation band, and one (1) Outer Band (BSE).

Ø (in.)	Effective Length (in.)	Product Code				
		SCL (Single Wall)	CAX1 (1" air)	CIX1 (1" insulated)	CIX2 (2" insulated)	CIX4 (4" insulated)
Ø5" to Ø36"	17 9/16"	SCLØHDL	CAX1-ØHDL	CIX1-ØHDL	CIX2-ØHDL	CIX4-ØHDL

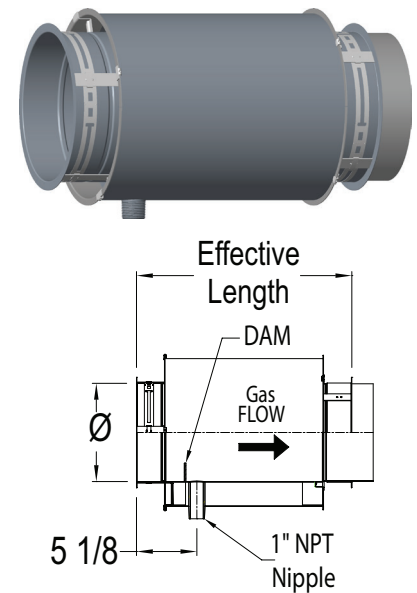
Material options (Inner-Outer): 304-Galvalume, 304-304, 316-Galvalume, 316-304

Flow resistance:

Ø5" to Ø16": K = 0.4 (eff. length [ft] / Ø [in])

Ø18" to Ø36": K = 0.3 (eff. length [ft] / Ø [in])

For Engine and Turbine Exhausts: K = 0.25 (eff. length [ft] / Ø [in])



Lengths/Elbows

Nozzle Lengths (NL)

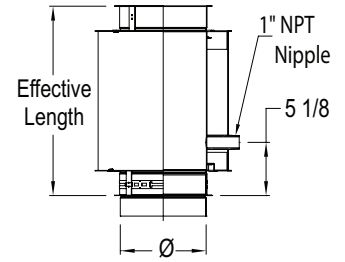
Used as a test port. 1" NPT nipple, no cap.

Included:

For SCL: One (1) Locking Inner "V" Band (BSI), and one (1) Centering Flue Extension (PR-C0794).

For CAX1: One (1) Locking Inner "V" Band (BSI), one (1) Centering Flue Extension (PR-C0794), and one (1) Outer Band (BSE).

For CIX1, CIX2, and CIX4: One (1) Locking Inner "V" Band (BSI), one (1) Centering Flue Extension (PR-C0794), and one (1) 6" insulation.



Ø (in.)	Effective Length (in.)	Product Code				
		SCL (Single Wall)	CAX1 (1" air)	CIX1 (1" insulated)	CIX2 (2" insulated)	CIX4 (4" insulated)
Ø5" to Ø36"	17 9/16"	SCLØNL	CAX1-ØNL	CIX1-ØNL	CIX2-ØNL	CIX4-ØNL

Material options (Inner-Outer): 304-Galvalume, 304-304, 316-Galvalume, 316-304

Flow resistance:

Ø5" to Ø16": K = 0.4 (eff. length [ft] / Ø [in])

Ø18" to Ø36": K = 0.3 (eff. length [ft] / Ø [in])

For Engine and Turbine Exhausts: K = 0.25 (eff. length [ft] / Ø [in])

3° Elbows (E3)

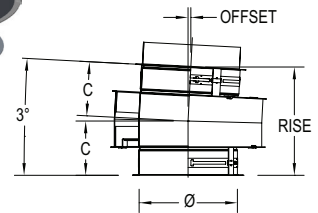
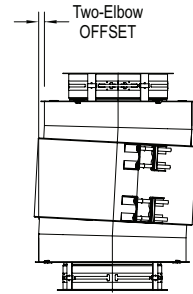
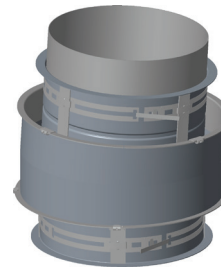
Used to change direction of the duct or to provide offset. 3° Elbows provide also a slope for horizontal run. Comes alone (E3) or in pairs as a kit (EK3). The Elbow Kit (two elbows) can establish many different degrees combined with other elbows. The kit may also establish many different offset when combined with standard different lengths.

Included:

For SCL: One (1) Locking Inner "V" Band (BSI), and one (1) Centering Flue Extension (PR-C0794).

For CAX1: One (1) Locking Inner "V" Band (BSI), one (1) Centering Flue Extension (PR-C0794), and one (1) Outer Band (BSE).

For CIX1, CIX2, and CIX4: One (1) Locking Inner "V" Band (BSI), one (1) Centering Flue Extension (PR-C0794), one (1) 6" insulation band, and one (1) Outer Band (BSE).



3° Elbows - SCL (Single Wall)						
Ø (in.)	C (in.)	Offset (in)	Rise (in)	Two-Elbows Offset (in.)	Product Code	
					One Elbow SCL	Two Elbows SCL
5	3 7/16	3/16	6 7/8	3/8	SCL5E3	SCL5EK3
6	3 7/16	3/16	6 7/8	3/8	SCL6E3	SCL6EK3
7	3 7/16	3/16	6 7/8	3/8	SCL7E3	SCL7EK3
8	3 1/2	3/16	7	3/8	SCL8E3	SCL8EK3
9	3 1/2	3/16	7	3/8	SCL9E3	SCL9EK3
10	3 1/2	3/16	7	3/8	SCL10E3	SCL10EK3
11	3 1/2	3/16	7	3/8	SCL11E3	SCL11EK3
12	3 9/16	3/16	7 1/8	3/8	SCL12E3	SCL12EK3
13	3 9/16	3/16	7 1/8	3/8	SCL13E3	SCL13EK3
14	3 9/16	3/16	7 1/8	3/8	SCL14E3	SCL14EK3
16	3 9/16	3/16	7 1/8	3/8	SCL16E3	SCL16EK3
18	3 5/8	3/16	7 1/4	3/8	SCL18E3	SCL18EK3
20	3 5/8	3/16	7 1/4	3/8	SCL20E3	SCL20EK3
22	3 11/16	3/16	7 3/8	3/8	SCL22E3	SCL22EK3
24	3 11/16	3/16	7 3/8	3/8	SCL24E3	SCL24EK3
26	3 11/16	3/16	7 3/8	3/8	SCL26E3	SCL26EK3
28	3 3/4	3/16	7 1/2	3/8	SCL28E3	SCL28EK3
30	3 3/4	3/16	7 1/2	3/8	SCL30E3	SCL30EK3
32	3 13/16	3/16	7 5/8	3/8	SCL32E3	SCL32EK3
34	3 13/16	3/16	7 5/8	3/8	SCL34E3	SCL34EK3
36	3 7/8	3/16	7 3/4	3/8	SCL36E3	SCL36EK3

3° Elbows - CAX1 (1" Air Insulated) / CIX1 (1" Wool Insulated)									
Ø (in.)	C (in.)	Offset (in)	Rise (in)	Two-Elbows Offset (in.)	Product Code				
					One Elbow CAX1	Two Elbows CAX1	One Elbow CIX1	Two Elbows CIX1	
5	4 3/8	1/4	8 3/4	1/2	CAX1-5E3	CAX1-5EK3	CIX1-5E3	CIX1-5EK3	
6	4 7/16	1/4	8 7/8	1/2	CAX1-6E3	CAX1-6EK3	CIX1-6E3	CIX1-6EK3	
7	4 7/16	1/4	8 7/8	1/2	CAX1-7E3	CAX1-7EK3	CIX1-7E3	CIX1-7EK3	
8	4 7/16	1/4	8 7/8	1/2	CAX1-8E3	CAX1-8EK3	CIX1-8E3	CIX1-8EK3	
9	4 7/16	1/4	8 7/8	1/2	CAX1-9E3	CAX1-9EK3	CIX1-9E3	CIX1-9EK3	
10	4 1/2	1/4	9	1/2	CAX1-10E3	CAX1-10EK3	CIX1-10E3	CIX1-10EK3	
11	4 1/2	1/4	9	1/2	CAX1-11E3	CAX1-11EK3	CIX1-11E3	CIX1-11EK3	
12	4 1/2	1/4	9	1/2	CAX1-12E3	CAX1-12EK3	CIX1-12E3	CIX1-12EK3	
13	4 1/2	1/4	9	1/2	CAX1-13E3	CAX1-13EK3	CIX1-13E3	CIX1-13EK3	
14	4 1/2	1/4	9	1/2	CAX1-14E3	CAX1-14EK3	CIX1-14E3	CIX1-14EK3	
16	4 9/16	1/4	9 1/8	1/2	CAX1-16E3	CAX1-16EK3	CIX1-16E3	CIX1-16EK3	
18	4 9/16	1/4	9 1/8	1/2	CAX1-18E3	CAX1-18EK3	CIX1-18E3	CIX1-18EK3	
20	4 5/8	1/4	9 1/4	1/2	CAX1-20E3	CAX1-20EK3	CIX1-20E3	CIX1-20EK3	
22	4 5/8	1/4	9 1/4	1/2	CAX1-22E3	CAX1-22EK3	CIX1-22E3	CIX1-22EK3	
24	4 5/8	1/4	9 1/4	1/2	CAX1-24E3	CAX1-24EK3	CIX1-24E3	CIX1-24EK3	
26	4 11/16	1/4	9 3/8	1/2	CAX1-26E3	CAX1-26EK3	CIX1-26E3	CIX1-26EK3	
28	4 11/16	1/4	9 3/8	1/2	CAX1-28E3	CAX1-28EK3	CIX1-28E3	CIX1-28EK3	
30	4 3/4	1/4	9 1/2	1/2	CAX1-30E3	CAX1-30EK3	CIX1-30E3	CIX1-30EK3	
32	4 3/4	1/4	9 1/2	1/2	CAX1-32E3	CAX1-32EK3	CIX1-32E3	CIX1-32EK3	
34	4 13/16	1/4	9 5/8	1/2	CAX1-34E3	CAX1-34EK3	CIX1-34E3	CIX1-34EK3	
36	4 13/16	1/4	9 5/8	1/2	CAX1-36E3	CAX1-36EK3	CIX1-36E3	CIX1-36EK3	

Material options (Inner-Outer): 304-Galvalume, 304-304, 316-Galvalume, 316-304

Flow resistance: K = 0.03

Elbows

3° Elbows (E3) continued

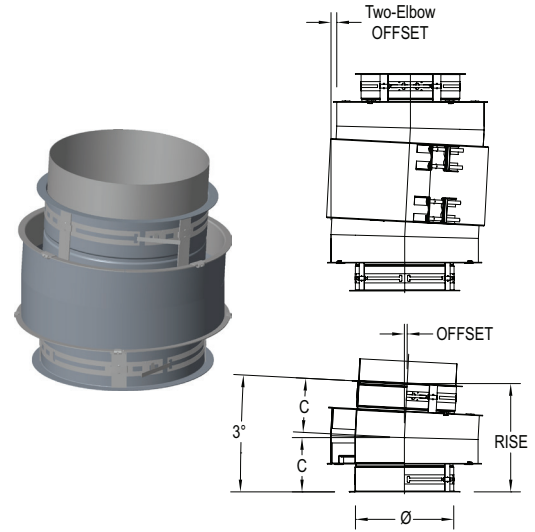
Used to change direction of the duct or to provide offset. 3° Elbows provide also a slope for horizontal run. Comes alone (E3) or in pairs as a kit (EK3). The Elbow Kit (two elbows) can establish many different degrees combined with other elbows. The kit may also establish many different offset when combined with standard different lengths.

Included:

For SCL: One (1) Locking Inner "V" Band (BSI), and one (1) Centering Flue Extension (PR-C0794).

For CAX1: One (1) Locking Inner "V" Band (BSI), one (1) Centering Flue Extension (PR-C0794), and one (1) Outer Band (BSE).

For CIX1, CIX2, and CIX4: One (1) Locking Inner "V" Band (BSI), one (1) Centering Flue Extension (PR-C0794), one (1) 6" insulation band, and one (1) Outer Band (BSE).



3° Elbows - CIX2 (2" Wool Insulated)						
Ø (in.)	C (in.)	Offset (in)	Rise (in)	Two-Elbows Offset (in.)	Product Code	
					One Elbow CIX2	Two Elbows CIX2
5	4 7/16	1/4	8 7/8	1/2	CIX2-5E3	CIX2-5EK3
6	4 7/16	1/4	8 7/8	1/2	CIX2-6E3	CIX2-6EK3
7	4 7/16	1/4	8 7/8	1/2	CIX2-7E3	CIX2-7EK3
8	4 1/2	1/4	9	1/2	CIX2-8E3	CIX2-8EK3
9	4 1/2	1/4	9	1/2	CIX2-9E3	CIX2-9EK3
10	4 1/2	1/4	9	1/2	CIX2-10E3	CIX2-10EK3
11	4 1/2	1/4	9	1/2	CIX2-11E3	CIX2-11EK3
12	4 1/2	1/4	9	1/2	CIX2-12E3	CIX2-12EK3
13	4 9/16	1/4	9 1/8	1/2	CIX2-13E3	CIX2-13EK3
14	4 9/16	1/4	9 1/8	1/2	CIX2-14E3	CIX2-14EK3
16	4 9/16	1/4	9 1/8	1/2	CIX2-16E3	CIX2-16EK3
18	4 5/8	1/4	9 1/4	1/2	CIX2-18E3	CIX2-18EK3
20	4 5/8	1/4	9 1/4	1/2	CIX2-20E3	CIX2-20EK3
22	4 5/8	1/4	9 1/4	1/2	CIX2-22E3	CIX2-22EK3
24	4 11/16	1/4	9 3/8	1/2	CIX2-24E3	CIX2-24EK3
26	4 11/16	1/4	9 3/8	1/2	CIX2-26E3	CIX2-26EK3
28	4 3/4	1/4	9 1/2	1/2	CIX2-28E3	CIX2-28EK3
30	4 3/4	1/4	9 1/2	1/2	CIX2-30E3	CIX2-30EK3
32	4 13/16	1/4	9 5/8	1/2	CIX2-32E3	CIX2-32EK3
34	4 13/16	1/4	9 5/8	1/2	CIX2-34E3	CIX2-34EK3
36	4 13/16	1/4	9 5/8	1/2	CIX2-36E3	CIX2-36EK3

3° Elbows - CIX4 (4" Wool Insulated)						
Ø (in.)	C (in.)	Offset (in)	Rise (in)	Two-Elbows Offset (in.)	Product Code	
					One Elbow CIX4	Two Elbows CIX4
5	4 1/2	1/4	9	1/2	CIX4-5E3	CIX4-5EK3
6	4 1/2	1/4	9	1/2	CIX4-6E3	CIX4-6EK3
7	4 1/2	1/4	9	1/2	CIX4-7E3	CIX4-7EK3
8	4 1/2	1/4	9	1/2	CIX4-8E3	CIX4-8EK3
9	4 9/16	1/4	9 1/8	1/2	CIX4-9E3	CIX4-9EK3
10	4 9/16	1/4	9 1/8	1/2	CIX4-10E3	CIX4-10EK3
11	4 9/16	1/4	9 1/8	1/2	CIX4-11E3	CIX4-11EK3
12	4 9/16	1/4	9 1/8	1/2	CIX4-12E3	CIX4-12EK3
13	4 9/16	1/4	9 1/8	1/2	CIX4-13E3	CIX4-13EK3
14	4 5/8	1/4	9 1/4	1/2	CIX4-14E3	CIX4-14EK3
16	4 5/8	1/4	9 1/4	1/2	CIX4-16E3	CIX4-16EK3
18	4 5/8	1/4	9 1/4	1/2	CIX4-18E3	CIX4-18EK3
20	4 11/16	1/4	9 3/8	1/2	CIX4-20E3	CIX4-20EK3
22	4 11/16	1/4	9 3/8	1/2	CIX4-22E3	CIX4-22EK3
24	4 3/4	1/4	9 1/2	1/2	CIX4-24E3	CIX4-24EK3
26	4 3/4	1/4	9 1/2	1/2	CIX4-26E3	CIX4-26EK3
28	4 13/16	1/4	9 5/8	1/2	CIX4-28E3	CIX4-28EK3
30	4 13/16	1/4	9 5/8	1/2	CIX4-30E3	CIX4-30EK3
32	4 13/16	1/4	9 5/8	1/2	CIX4-32E3	CIX4-32EK3
34	4 7/8	1/4	9 3/4	1/2	CIX4-34E3	CIX4-34EK3
36	4 7/8	1/4	9 3/4	1/2	CIX4-36E3	CIX4-36EK3

Material options (Inner-Outer): 304-Galvalume, 304-304, 316-Galvalume, 316-304

Flow resistance: K = 0.03

Elbows

15° Elbows (E15)

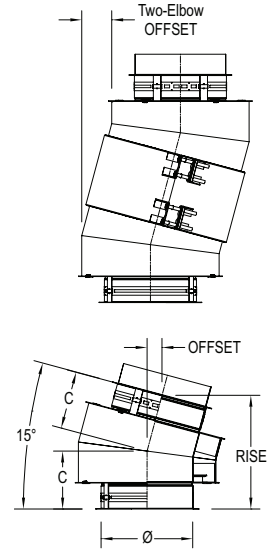
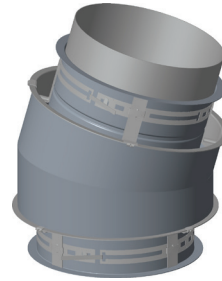
Used to change direction of the duct or to provide offset. Two elbows can establish many different degrees combined with other elbows and may also establish many different offset when combined with standard different lengths.

Included:

For SCL: One (1) Locking Inner "V" Band (BSI), and one (1) Centering Flue Extension (PR-C0794).

For CAX1: One (1) Locking Inner "V" Band (BSI), one (1) Centering Flue Extension (PR-C0794), and one (1) Outer Band (BSE).

For CIX1, CIX2 and CIX4: One (1) Locking Inner "V" Band (BSI), one (1) Centering Flue Extension (PR-C0794), one (1) 6" insulation band, and one (1) Outer Band (BSE).



15° Elbows - SCL (Single Wall)					
Ø (in.)	C (in.)	Offset (in)	Rise (in)	Two-Elbows Offset (in.)	Product Code
					One Elbow SCL
5	3 11/16	1	7 1/4	2	SCL5E15
6	3 3/4	1	7 3/8	2	SCL6E15
7	3 13/16	1	7 1/2	2	SCL7E15
8	3 7/8	1	7 5/8	2	SCL8E15
9	4	1	7 7/8	2	SCL9E15
10	4 1/16	1	8	2	SCL10E15
11	4 1/8	1 1/8	8 1/8	2 1/4	SCL11E15
12	4 3/16	1 1/8	8 1/4	2 1/4	SCL12E15
13	4 1/4	1 1/8	8 3/8	2 1/4	SCL13E15
14	4 5/16	1 1/8	8 1/2	2 1/4	SCL14E15
16	4 7/16	1 1/8	8 3/4	2 1/4	SCL16E15
18	4 9/16	1 1/8	9	2 1/4	SCL18E15
20	4 11/16	1 1/4	9 1/4	2 1/2	SCL20E15
22	4 13/16	1 1/4	9 1/2	2 1/2	SCL22E15
24	4 15/16	1 1/4	9 3/4	2 1/2	SCL24E15
26	5 1/16	1 1/4	10	2 1/2	SCL26E15
28	5 1/4	1 3/8	10 3/8	2 3/4	SCL28E15
30	5 3/8	1 3/8	10 5/8	2 3/4	SCL30E15
32	5 1/2	1 3/8	10 7/8	2 3/4	SCL32E15
34	5 5/8	1 1/2	11	3	SCL34E15
36	5 3/4	1 1/2	11 1/4	3	SCL36E15

15° Elbows - CAX1 (1" Air Insulated) / CIX1 (1" Wool Insulated)						
Ø (in.)	C (in.)	Offset (in)	Rise (in)	Two-Elbows Offset (in.)	Product Code	
					One Elbow CAX1	One Elbow CIX1
5	4 3/4	1 1/4	9 3/8	2 1/2	CAX1-5E15	CIX1-5E15
6	4 13/16	1 1/4	9 1/2	2 1/2	CAX1-6E15	CIX1-6E15
7	4 15/16	1 1/4	9 3/4	2 1/2	CAX1-7E15	CIX1-7E15
8	5	1 1/4	9 7/8	2 1/2	CAX1-8E15	CIX1-8E15
9	5 1/16	1 1/4	10	2 1/2	CAX1-9E15	CIX1-9E15
10	5 1/8	1 3/8	10 1/8	2 3/4	CAX1-10E15	CIX1-10E15
11	5 3/16	1 3/8	10 1/4	2 3/4	CAX1-11E15	CIX1-11E15
12	5 1/4	1 3/8	10 3/8	2 3/4	CAX1-12E15	CIX1-12E15
13	5 5/16	1 3/8	10 1/2	2 3/4	CAX1-13E15	CIX1-13E15
14	5 3/8	1 3/8	10 5/8	2 3/4	CAX1-14E15	CIX1-14E15
16	5 1/2	1 3/8	10 7/8	2 3/4	CAX1-16E15	CIX1-16E15
18	5 5/8	1 1/2	11	3	CAX1-18E15	CIX1-18E15
20	5 3/4	1 1/2	11 1/4	3	CAX1-20E15	CIX1-20E15
22	5 7/8	1 1/2	11 1/2	3	CAX1-22E15	CIX1-22E15
24	6	1 1/2	11 3/4	3	CAX1-24E15	CIX1-24E15
26	6 3/16	1 5/8	12 1/8	3 1/4	CAX1-26E15	CIX1-26E15
28	6 5/16	1 5/8	12 3/8	3 1/4	CAX1-28E15	CIX1-28E15
30	6 7/16	1 5/8	12 5/8	3 1/4	CAX1-30E15	CIX1-30E15
32	6 9/16	1 3/4	12 7/8	3 1/2	CAX1-32E15	CIX1-32E15
34	6 11/16	1 3/4	13 1/8	3 1/2	CAX1-34E15	CIX1-34E15
36	6 13/16	1 3/4	13 3/8	3 1/2	CAX1-36E15	CIX1-36E15

Material options (Inner-Outer): 304-Galvalume, 304-304, 316-Galvalume, 316-304

Flow resistance: K = 0.06

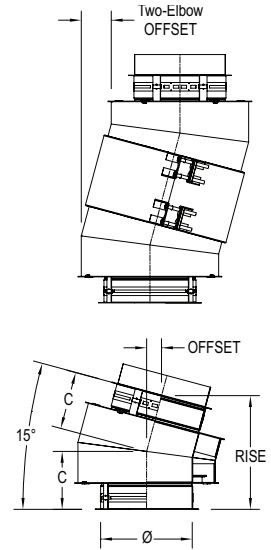
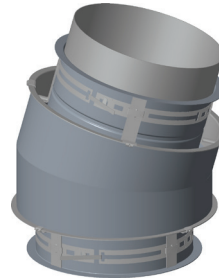
Elbows

15° Elbows (E15) continued

Used to change direction of the duct or to provide offset. Two elbows can establish many different degrees combined with other elbows and may also establish many different offset when combined with standard different lengths.

Included:

- For SCL:** One (1) Locking Inner "V" Band (BSI), and one (1) Centering Flue Extension (PR-C0794).
- For CAX1:** One (1) Locking Inner "V" Band (BSI), one (1) Centering Flue Extension (PR-C0794), and one (1) Outer Band (BSE).
- For CIX1, CIX2 and CIX4:** One (1) Locking Inner "V" Band (BSI), one (1) Centering Flue Extension (PR-C0794), one (1) 6" insulation band, and one (1) Outer Band (BSE).



15° Elbows - CIX2 (2" Wool Insulated)					
Ø (in.)	C (in.)	Offset (in)	Rise (in)	Two-Elbows Offset (in.)	Product Code
					One Elbow CIX2
5	4 15/16	1 1/4	9 3/4	2 1/2	CIX2-5E15
6	5	1 1/4	9 7/8	2 1/2	CIX2-6E15
7	5 1/16	1 1/4	10	2 1/2	CIX2-7E15
8	5 1/8	1 3/8	10 1/8	2 3/4	CIX2-8E15
9	5 3/16	1 3/8	10 1/4	2 3/4	CIX2-9E15
10	5 1/4	1 3/8	10 3/8	2 3/4	CIX2-10E15
11	5 5/16	1 3/8	10 1/2	2 3/4	CIX2-11E15
12	5 3/8	1 3/8	10 5/8	2 3/4	CIX2-12E15
13	5 7/16	1 3/8	10 3/4	2 3/4	CIX2-13E15
14	5 1/2	1 3/8	10 7/8	2 3/4	CIX2-14E15
16	5 5/8	1 1/2	11	3	CIX2-16E15
18	5 3/4	1 1/2	11 1/4	3	CIX2-18E15
20	5 7/8	1 1/2	11 1/2	3	CIX2-20E15
22	6	1 1/2	11 3/4	3	CIX2-22E15
24	6 3/16	1 5/8	12 1/8	3 1/4	CIX2-24E15
26	6 5/16	1 5/8	12 3/8	3 1/4	CIX2-26E15
28	6 7/16	1 5/8	12 5/8	3 1/4	CIX2-28E15
30	6 9/16	1 3/4	12 7/8	3 1/2	CIX2-30E15
32	6 11/16	1 3/4	13 1/8	3 1/2	CIX2-32E15
34	6 13/16	1 3/4	13 3/8	3 1/2	CIX2-34E15
36	6 15/16	1 3/4	13 5/8	3 1/2	CIX2-36E15

15° Elbows - CIX4 (4" Wool Insulated)					
Ø (in.)	C (in.)	Offset (in)	Rise (in)	Two-Elbows Offset (in.)	Product Code
					One Elbow CIX4
5	5 3/16	1 3/8	10 1/4	2 3/4	CIX4-5E15
6	5 1/4	1 3/8	10 3/8	2 3/4	CIX4-6E15
7	5 5/16	1 3/8	10 1/2	2 3/4	CIX4-7E15
8	5 3/8	1 3/8	10 5/8	2 3/4	CIX4-8E15
9	5 7/16	1 3/8	10 3/4	2 3/4	CIX4-9E15
10	5 1/2	1 3/8	10 7/8	2 3/4	CIX4-10E15
11	5 9/16	1 1/2	10 7/8	3	CIX4-11E15
12	5 5/8	1 1/2	11	3	CIX4-12E15
13	5 11/16	1 1/2	11 1/8	3	CIX4-13E15
14	5 3/4	1 1/2	11 1/4	3	CIX4-14E15
16	5 7/8	1 1/2	11 1/2	3	CIX4-16E15
18	6	1 1/2	11 3/4	3	CIX4-18E15
20	6 3/16	1 5/8	12 1/8	3 1/4	CIX4-20E15
22	6 5/16	1 5/8	12 3/8	3 1/4	CIX4-22E15
24	6 7/16	1 5/8	12 5/8	3 1/4	CIX4-24E15
26	6 9/16	1 3/4	12 7/8	3 1/2	CIX4-26E15
28	6 11/16	1 3/4	13 1/8	3 1/2	CIX4-28E15
30	6 13/16	1 3/4	13 3/8	3 1/2	CIX4-30E15
32	6 15/16	1 3/4	13 5/8	3 1/2	CIX4-32E15
34	7 1/16	1 7/8	13 7/8	3 3/4	CIX4-34E15
36	7 3/16	1 7/8	14 1/8	3 3/4	CIX4-36E15

Material options (Inner-Outer): 304-Galvalume, 304-304, 316-Galvalume, 316-304
Flow resistance: K = 0.06

Elbows

30° Elbows (E30)

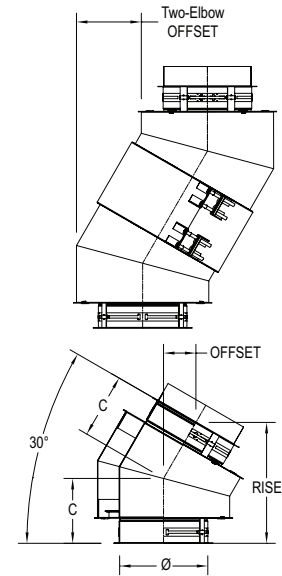
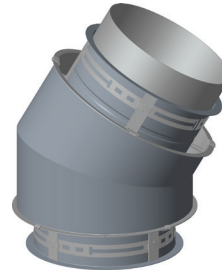
Used to change direction of the duct or to provide offset. Two elbows can establish many different degrees combined with other elbows and may also establish many different offset when combined with standard different lengths.

Included:

For SCL: One (1) Locking Inner "V" Band (BSI), and one (1) Centering Flue Extension (PR-C0794).

For CAX1: One (1) Locking Inner "V" Band (BSI), one (1) Centering Flue Extension (PR-C0794), and one (1) Outer Band (BSE).

For CIX1, CIX2, and CIX4: One (1) Locking Inner "V" Band (BSI), one (1) Centering Flue Extension (PR-C0794), one (1) 6" insulation band, and one (1) Outer Band (BSE).



30° Elbows - SCL (Single Wall)					
Ø (in.)	C (in.)	Offset (in)	Rise (in)	Two-Elbows Offset (in.)	Product Code
					One Elbow SCL
5	4 1/16	2	7 9/16	4	SCL5E30
6	4 3/16	2 1/8	7 7/8	4 1/4	SCL6E30
7	4 5/16	2 1/8	8	4 1/4	SCL7E30
8	4 7/16	2 1/4	8 1/4	4 1/2	SCL8E30
9	4 9/16	2 1/4	8 1/2	4 1/2	SCL9E30
10	4 3/4	2 3/8	8 7/8	4 3/4	SCL10E30
11	4 7/8	2 1/2	9 1/8	5	SCL11E30
12	5	2 1/2	9 3/8	5	SCL12E30
13	5 1/8	2 5/8	9 5/8	5 1/4	SCL13E30
14	5 1/4	2 5/8	9 3/4	5 1/4	SCL14E30
16	5 1/2	2 3/4	10 1/4	5 1/2	SCL16E30
18	5 13/16	2 7/8	10 7/8	5 3/4	SCL18E30
20	6 1/16	3	11 3/8	6	SCL20E30
22	6 5/16	3 1/8	11 3/4	6 1/4	SCL22E30
24	6 5/8	3 3/8	12 3/8	6 3/4	SCL24E30
26	6 7/8	3 1/2	12 7/8	7	SCL26E30
28	7 1/8	3 5/8	13 1/4	7 1/4	SCL28E30
30	7 3/8	3 3/4	13 3/4	7 1/2	SCL30E30
32	7 11/16	3 7/8	14 3/8	7 3/4	SCL32E30
34	7 15/16	4	14 3/4	8	SCL34E30
36	8 3/16	4 1/8	15 1/4	8 1/4	SCL36E30

30° Elbows - CAX1 (1" Air Insulated) / CIX1 (1" Wool Insulated)						
Ø (in.)	C (in.)	Offset (in)	Rise (in)	Two-Elbows Offset (in.)	Product Code	
					One Elbow CAX1	One Elbow CIX1
5	5 1/4	2 5/8	9 3/4	5 1/4	CAX1-5E30	CIX1-5E30
6	5 3/8	2 3/4	10	5 1/2	CAX1-6E30	CIX1-6E30
7	5 1/2	2 3/4	10 1/4	5 1/2	CAX1-7E30	CIX1-7E30
8	5 11/16	2 7/8	10 5/8	5 3/4	CAX1-8E30	CIX1-8E30
9	5 13/16	2 7/8	10 7/8	5 3/4	CAX1-9E30	CIX1-9E30
10	5 15/16	3	11 1/8	6	CAX1-10E30	CIX1-10E30
11	6 1/16	3	11 3/8	6	CAX1-11E30	CIX1-11E30
12	6 3/16	3 1/8	11 1/2	6 1/4	CAX1-12E30	CIX1-12E30
13	6 5/16	3 1/8	11 3/4	6 1/4	CAX1-13E30	CIX1-13E30
14	6 7/16	3 1/4	12	6 1/2	CAX1-14E30	CIX1-14E30
16	6 3/4	3 3/8	12 5/8	6 3/4	CAX1-16E30	CIX1-16E30
18	7	3 1/2	13	7	CAX1-18E30	CIX1-18E30
20	7 1/4	3 5/8	13 1/2	7 1/4	CAX1-20E30	CIX1-20E30
22	7 9/16	3 3/4	14 1/8	7 1/2	CAX1-22E30	CIX1-22E30
24	7 13/16	3 7/8	14 5/8	7 3/4	CAX1-24E30	CIX1-24E30
26	8 1/16	4	15	8	CAX1-26E30	CIX1-26E30
28	8 5/16	4 1/8	15 1/2	8 1/4	CAX1-28E30	CIX1-28E30
30	8 5/8	4 1/4	16 1/8	8 1/2	CAX1-30E30	CIX1-30E30
32	8 7/8	4 3/8	16 1/2	8 3/4	CAX1-32E30	CIX1-32E30
34	9 1/8	4 1/2	17	9	CAX1-34E30	CIX1-34E30
36	9 7/16	4 3/4	17 5/8	9 1/2	CAX1-36E30	CIX1-36E30

Material options (Inner-Outer): 304-Galvalume, 304-304, 316-Galvalume, 316-304
Flow resistance: K = 0.12

Elbows

30° Elbows (E30) continued

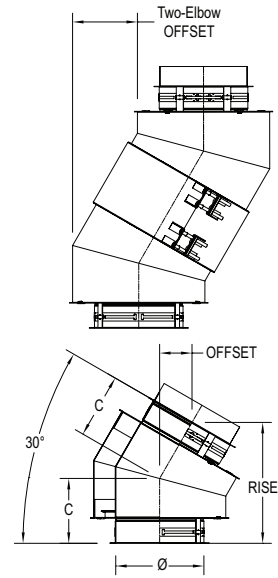
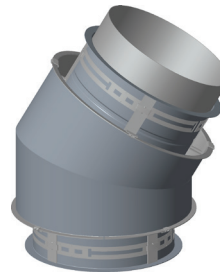
Used to change direction of the duct or to provide offset. Two elbows can establish many different degrees combined with other elbows and may also establish many different offset when combined with standard different lengths.

Included:

For SCL: One (1) Locking Inner "V" Band (BSI), and one (1) Centering Flue Extension (PR-C0794).

For CAX1: One (1) Locking Inner "V" Band (BSI), one (1) Centering Flue Extension (PR-C0794), and one (1) Outer Band (BSE).

For CIX1, CIX2, and CIX4: One (1) Locking Inner "V" Band (BSI), one (1) Centering Flue Extension (PR-C0794), one (1) 6" insulation band, and one (1) Outer Band (BSE).



30° Elbows - CIX2 (2" Wool Insulated)					
Ø (in.)	C (in.)	Offset (in)	Rise (in)	Two-Elbows Offset (in.)	Product Code
					One Elbow CIX2
5	5 1/2	2 3/4	10 1/4	5 1/2	CIX2-5E30
6	5 11/16	2 7/8	10 5/8	5 3/4	CIX2-6E30
7	5 13/16	2 7/8	10 7/8	5 3/4	CIX2-7E30
8	5 15/16	3	11 1/8	6	CIX2-8E30
9	6 1/16	3	11 3/8	6	CIX2-9E30
10	6 3/16	3 1/8	11 1/2	6 1/4	CIX2-10E30
11	6 5/16	3 1/8	11 3/4	6 1/4	CIX2-11E30
12	6 7/16	3 1/4	12	6 1/2	CIX2-12E30
13	6 5/8	3 3/8	12 3/8	6 3/4	CIX2-13E30
14	6 3/4	3 3/8	12 5/8	6 3/4	CIX2-14E30
16	7	3 1/2	13	7	CIX2-16E30
18	7 1/4	3 5/8	13 1/2	7 1/4	CIX2-18E30
20	7 9/16	3 3/4	14 1/8	7 1/2	CIX2-20E30
22	7 13/16	3 7/8	14 5/8	7 3/4	CIX2-22E30
24	8 1/16	4	15	8	CIX2-24E30
26	8 5/16	4 1/8	15 1/2	8 1/4	CIX2-26E30
28	8 5/8	4 1/4	16 1/8	8 1/2	CIX2-28E30
30	8 7/8	4 3/8	16 1/2	8 3/4	CIX2-30E30
32	9 1/8	4 1/2	17	9	CIX2-32E30
34	9 7/16	4 3/4	17 5/8	9 1/2	CIX2-34E30
36	9 11/16	4 7/8	18 1/8	9 3/4	CIX2-36E30

30° Elbows - CIX4 (4" Wool Insulated)					
Ø (in.)	C (in.)	Offset (in)	Rise (in)	Two-Elbows Offset (in.)	Product Code
					One Elbow CIX4
5	6 1/16	3	11 3/8	6	CIX4-5E30
6	6 3/16	3 1/8	11 1/2	6 1/4	CIX4-6E30
7	6 5/16	3 1/8	11 3/4	6 1/4	CIX4-7E30
8	6 7/16	3 1/4	12	6 1/2	CIX4-8E30
9	6 5/8	3 3/8	12 3/8	6 3/4	CIX4-9E30
10	6 3/4	3 3/8	12 5/8	6 3/4	CIX4-10E30
11	6 7/8	3 1/2	12 7/8	7	CIX4-11E30
12	7	3 1/2	13	7	CIX4-12E30
13	7 1/8	3 5/8	13 1/4	7 1/4	CIX4-13E30
14	7 1/4	3 5/8	13 1/2	7 1/4	CIX4-14E30
16	7 9/16	3 3/4	14 1/8	7 1/2	CIX4-16E30
18	7 13/16	3 7/8	14 5/8	7 3/4	CIX4-18E30
20	8 1/16	4	15	8	CIX4-20E30
22	8 5/16	4 1/8	15 1/2	8 1/4	CIX4-22E30
24	8 5/8	4 1/4	16 1/8	8 1/2	CIX4-24E30
26	8 7/8	4 3/8	16 1/2	8 3/4	CIX4-26E30
28	9 1/8	4 1/2	17	9	CIX4-28E30
30	9 7/16	4 3/4	17 5/8	9 1/2	CIX4-30E30
32	9 11/16	4 7/8	18 1/8	9 3/4	CIX4-32E30
34	9 15/16	5	18 1/2	10	CIX4-34E30
36	10 3/16	5 1/8	19	10 1/4	CIX4-36E30

Material options (Inner-Outer): 304-Galvalume, 304-304, 316-Galvalume, 316-304

Flow resistance: K = 0.12

Elbows

45° Elbows (E45)

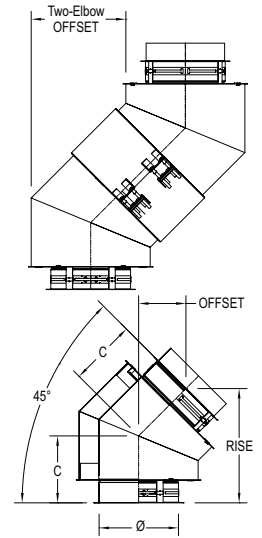
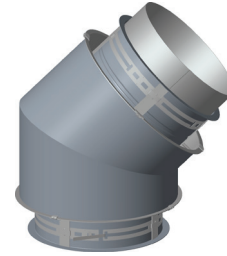
Used to change direction of the duct or to provide offset. Two elbows can establish many different degrees combined with other elbows and may also establish many different offset when combined with standard different lengths.

Included:

For SCL: One (1) Locking Inner "V" Band (BSI), and one (1) Centering Flue Extension (PR-C0794).

For CAX1: One (1) Locking Inner "V" Band (BSI), one (1) Centering Flue Extension (PR-C0794), and one (1) Outer Band (BSE).

For CIX1, CIX2, and CIX4: One (1) Locking Inner "V" Band (BSI), one (1) Centering Flue Extension (PR-C0794), one (1) 6" insulation band, and one (1) Outer Band (BSE).



45° Elbows - SCL (Single Wall)					
Ø (in.)	C (in.)	Offset (in)	Rise (in)	Two-Elbows Offset (in.)	Product Code
					One Elbow SCL
5	4 7/16	3 1/8	7 9/16	6 1/4	SCL5E45
6	4 5/8	3 1/4	7 7/8	6 1/2	SCL6E45
7	4 13/16	3 3/8	8 1/4	6 3/4	SCL7E45
8	5 1/16	3 5/8	8 5/8	7 1/4	SCL8E45
9	5 1/4	3 3/4	9	7 1/2	SCL9E45
10	5 7/16	3 7/8	9 1/4	7 3/4	SCL10E45
11	5 11/16	4	9 3/4	8	SCL11E45
12	5 7/8	4 1/8	10	8 1/4	SCL12E45
13	6 1/16	4 1/4	10 3/8	8 1/2	SCL13E45
14	6 5/16	4 1/2	10 3/4	9	SCL14E45
16	6 11/16	4 3/4	11 3/8	9 1/2	SCL16E45
18	7 1/8	5	12 1/8	10	SCL18E45
20	7 9/16	5 3/8	12 7/8	10 3/4	SCL20E45
22	7 15/16	5 5/8	13 1/2	11 1/4	SCL22E45
24	8 3/8	5 7/8	14 1/4	11 3/4	SCL24E45
26	8 3/4	6 1/8	14 7/8	12 1/4	SCL26E45
28	9 3/16	6 1/2	15 5/8	13	SCL28E45
30	9 5/8	6 3/4	16 3/8	13 1/2	SCL30E45
32	10	7 1/8	17 1/8	14 1/4	SCL32E45
34	10 7/16	7 3/8	17 7/8	14 3/4	SCL34E45
36	10 7/8	7 3/4	18 5/8	15 1/2	SCL36E45

45° Elbows - CAX1 (1" Air Insulated) / CIX1 (1" Wool Insulated)						
Ø (in.)	C (in.)	Offset (in)	Rise (in)	Two-Elbows Offset (in.)	Product Code	
					One Elbow CAX1	One Elbow CIX1
5	5 3/4	4 1/8	9 7/8	8 1/4	CAX1-5E45	CIX1-5E45
6	6	4 1/4	10 1/4	8 1/2	CAX1-6E45	CIX1-6E45
7	6 3/16	4 3/8	10 5/8	8 3/4	CAX1-7E45	CIX1-7E45
8	6 3/8	4 1/2	10 7/8	9	CAX1-8E45	CIX1-8E45
9	6 5/8	4 5/8	11 1/4	9 1/4	CAX1-9E45	CIX1-9E45
10	6 13/16	4 7/8	11 5/8	9 3/4	CAX1-10E45	CIX1-10E45
11	7	5	12	10	CAX1-11E45	CIX1-11E45
12	7 1/4	5 1/8	12 3/8	10 1/4	CAX1-12E45	CIX1-12E45
13	7 7/16	5 1/4	12 3/4	10 1/2	CAX1-13E45	CIX1-13E45
14	7 5/8	5 3/8	13	10 3/4	CAX1-14E45	CIX1-14E45
16	8 1/16	5 3/4	13 3/4	11 1/2	CAX1-16E45	CIX1-16E45
18	8 7/16	6	14 3/8	12	CAX1-18E45	CIX1-18E45
20	8 7/8	6 1/4	15 1/8	12 1/2	CAX1-20E45	CIX1-20E45
22	9 5/16	6 5/8	15 7/8	13 1/4	CAX1-22E45	CIX1-22E45
24	9 11/16	6 7/8	16 1/2	13 3/4	CAX1-24E45	CIX1-24E45
26	10 1/8	7 1/8	17 1/4	14 1/4	CAX1-26E45	CIX1-26E45
28	10 9/16	7 1/2	18	15	CAX1-28E45	CIX1-28E45
30	10 15/16	7 3/4	18 5/8	15 1/2	CAX1-30E45	CIX1-30E45
32	11 3/8	8	19 3/8	16	CAX1-32E45	CIX1-32E45
34	11 3/4	8 1/4	20	16 1/2	CAX1-34E45	CIX1-34E45
36	12 3/16	8 5/8	20 3/4	17 1/4	CAX1-36E45	CIX1-36E45

Material options (Inner-Outer): 304-Galvalume, 304-304, 316-Galvalume, 316-304

Flow resistance: K = 0.15

Elbows

45° Elbows (E45) continued

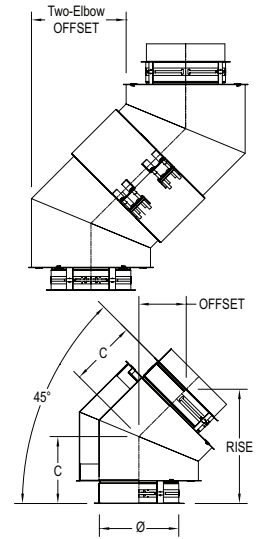
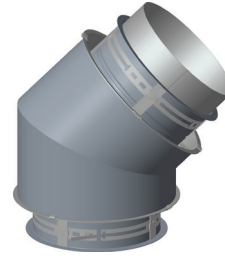
Used to change direction of the duct or to provide offset. Two elbows can establish many different degrees combined with other elbows and may also establish many different offset when combined with standard different lengths.

Included:

For SCL: One (1) Locking Inner "V" Band (BSI), and one (1) Centering Flue Extension (PR-C0794).

For CAX1: One (1) Locking Inner "V" Band (BSI), one (1) Centering Flue Extension (PR-C0794), and one (1) Outer Band (BSE).

For CIX1, CIX2, and CIX4: One (1) Locking Inner "V" Band (BSI), one (1) Centering Flue Extension (PR-C0794), one (1) 6" insulation band, and one (1) Outer Band (BSE).



45° Elbows - CIX2 (2" Wool Insulated)					
Ø (in.)	C (in.)	Offset (in)	Rise (in)	Two-Elbows Offset (in.)	Product Code
					One Elbow CIX2
5	6 3/16	4 3/8	10 5/8	8 3/4	CIX2-5E45
6	6 3/8	4 1/2	10 7/8	9	CIX2-6E45
7	6 5/8	4 5/8	11 1/4	9 1/4	CIX2-7E45
8	6 13/16	4 7/8	11 5/8	9 3/4	CIX2-8E45
9	7	5	12	10	CIX2-9E45
10	7 1/4	5 1/8	12 3/8	10 1/4	CIX2-10E45
11	7 7/16	5 1/4	12 3/4	10 1/2	CIX2-11E45
12	7 5/8	5 3/8	13	10 3/4	CIX2-12E45
13	7 13/16	5 1/2	13 3/8	11	CIX2-13E45
14	8 1/16	5 3/4	13 3/4	11 1/2	CIX2-14E45
16	8 7/16	6	14 3/8	12	CIX2-16E45
18	8 7/8	6 1/4	15 1/8	12 1/2	CIX2-18E45
20	9 5/16	6 5/8	15 7/8	13 1/4	CIX2-20E45
22	9 11/16	6 7/8	16 1/2	13 3/4	CIX2-22E45
24	10 1/8	7 1/8	17 1/4	14 1/4	CIX2-24E45
26	10 9/16	7 1/2	18	15	CIX2-26E45
28	10 15/16	7 3/4	18 5/8	15 1/2	CIX2-28E45
30	11 3/8	8	19 3/8	16	CIX2-30E45
32	11 3/4	8 1/4	20	16 1/2	CIX2-32E45
34	12 3/16	8 5/8	20 3/4	17 1/4	CIX2-34E45
36	12 5/8	8 7/8	21 1/2	17 3/4	CIX2-36E45

45° Elbows - CIX4 (4" Wool Insulated)					
Ø (in.)	C (in.)	Offset (in)	Rise (in)	Two-Elbows Offset (in.)	Product Code
					One Elbow CIX4
5	7	5	12	10	CIX4-5E45
6	7 1/4	5 1/8	12 3/8	10 1/4	CIX4-6E45
7	7 7/16	5 1/4	12 3/4	10 1/2	CIX4-7E45
8	7 5/8	5 3/8	13	10 3/4	CIX4-8E45
9	7 13/16	5 1/2	13 3/8	11	CIX4-9E45
10	8 1/16	5 3/4	13 3/4	11 1/2	CIX4-10E45
11	8 1/4	5 7/8	14 1/8	11 3/4	CIX4-11E45
12	8 7/16	6	14 3/8	12	CIX4-12E45
13	8 11/16	6 1/8	14 7/8	12 1/4	CIX4-13E45
14	8 7/8	6 1/4	15 1/8	12 1/2	CIX4-14E45
16	9 5/16	6 5/8	15 7/8	13 1/4	CIX4-16E45
18	9 11/16	6 7/8	16 1/2	13 3/4	CIX4-18E45
20	10 1/8	7 1/8	17 1/4	14 1/4	CIX4-20E45
22	10 9/16	7 1/2	18	15	CIX4-22E45
24	10 15/16	7 3/4	18 5/8	15 1/2	CIX4-24E45
26	11 3/8	8	19 3/8	16	CIX4-26E45
28	11 3/4	8 1/4	20	16 1/2	CIX4-28E45
30	12 3/16	8 5/8	20 3/4	17 1/4	CIX4-30E45
32	12 5/8	8 7/8	21 1/2	17 3/4	CIX4-32E45
34	13	9 1/4	22 1/4	18 1/2	CIX4-34E45
36	13 7/16	9 1/2	23	19	CIX4-36E45

Material options (Inner-Outer): 304-Galvalume, 304-304, 316-Galvalume, 316-304
Flow resistance: K = 0.15

Elbows

90° Elbows (E90)

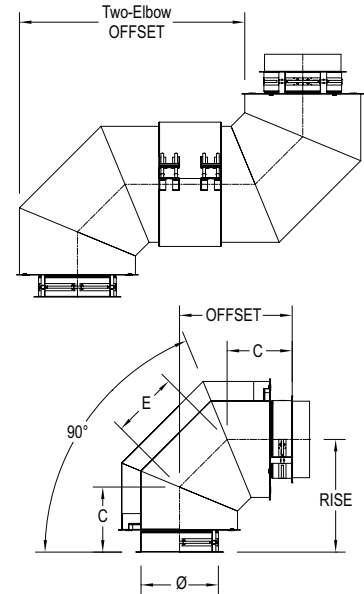
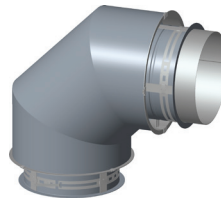
Used to change direction of the duct or to provide offset. Two elbows can establish many different degrees combined with other elbows and may also establish many different offset when combined with standard different lengths.

Included:

For SCL: One (1) Locking Inner "V" Band (BSI), and one (1) Centering Flue Extension (PR-C0794).

For CAX1: One (1) Locking Inner "V" Band (BSI), one (1) Centering Flue Extension (PR-C0794), and one (1) Outer Band (BSE).

For CIX1, CIX2, and CIX4: One (1) Locking Inner "V" Band (BSI), one (1) Centering Flue Extension (PR-C0794), one (1) 6" insulation band, and one (1) Outer Band (BSE).



90° Elbows - SCL (Single Wall)						
Ø (in.)	C (in.)	E (in.)	Offset (in)	Rise (in)	Two-Elbows Offset (in.)	Product Code
						One Elbow SCL
5	4 7/16	3 1/16	6 5/8	6 5/8	13 1/4	SCL5E90
6	4 5/8	3 9/16	7 1/8	7 1/8	14 1/4	SCL6E90
7	4 13/16	4	7 5/8	7 5/8	15 1/4	SCL7E90
8	5 1/16	4 5/16	8 1/8	8 1/8	16 1/4	SCL8E90
9	5 1/4	4 3/4	8 5/8	8 5/8	17 1/4	SCL9E90
10	5 7/16	5 3/16	9 1/8	9 1/8	18 1/4	SCL10E90
11	5 11/16	5 9/16	9 5/8	9 5/8	19 1/4	SCL11E90
12	5 7/8	6	10 1/8	10 1/8	20 1/4	SCL12E90
13	6 1/16	6 7/16	10 5/8	10 5/8	21 1/4	SCL13E90
14	6 5/16	6 13/16	11 1/8	11 1/8	22 1/4	SCL14E90
16	6 11/16	7 11/16	12 1/8	12 1/8	24 1/4	SCL16E90
18	7 1/8	8 1/2	13 1/8	13 1/8	26 1/4	SCL18E90
20	7 9/16	9 1/4	14 1/8	14 1/8	28 1/4	SCL20E90
22	7 15/16	10 3/16	15 1/8	15 1/8	30 1/4	SCL22E90
24	8 3/8	10 15/16	16 1/8	16 1/8	32 1/4	SCL24E90
26	8 3/4	11 7/8	17 1/8	17 1/8	34 1/4	SCL26E90
28	9 3/16	12 5/8	18 1/8	18 1/8	36 1/4	SCL28E90
30	9 5/8	13 7/16	19 1/8	19 1/8	38 1/4	SCL30E90
32	10	14 5/16	20 1/8	20 1/8	40 1/4	SCL32E90
34	10 7/16	15 1/8	21 1/8	21 1/8	42 1/4	SCL34E90
36	10 7/8	15 15/16	22 1/8	22 1/8	44 1/4	SCL36E90

90° Elbows - CAX1 (1" Air Insulated) / CIX1 (1" Wool Insulated)							
Ø (in.)	C (in.)	E (in.)	Offset (in)	Rise (in)	Two-Elbows Offset (in.)	Product Code	
						One Elbow CAX1	One Elbow CIX1
5	5 3/4	4 15/16	4 15/16	9 1/4	18 1/2	CAX1-5E90	CIX1-5E90
6	6	5 5/16	5 5/16	9 3/4	19 1/2	CAX1-6E90	CIX1-6E90
7	6 3/16	5 3/4	5 3/4	10 1/4	20 1/2	CAX1-7E90	CIX1-7E90
8	6 3/8	6 3/16	6 3/16	10 3/4	21 1/2	CAX1-8E90	CIX1-8E90
9	6 5/8	6 9/16	6 9/16	11 1/4	22 1/2	CAX1-9E90	CIX1-9E90
10	6 13/16	7	7	11 3/4	23 1/2	CAX1-10E90	CIX1-10E90
11	7	7 7/16	7 7/16	12 1/4	24 1/2	CAX1-11E90	CIX1-11E90
12	7 1/4	7 3/4	7 3/4	12 3/4	25 1/2	CAX1-12E90	CIX1-12E90
13	7 7/16	8 1/4	8 1/4	13 1/4	26 1/2	CAX1-13E90	CIX1-13E90
14	7 5/8	8 11/16	8 11/16	13 3/4	27 1/2	CAX1-14E90	CIX1-14E90
16	8 1/16	9 7/16	9 7/16	14 3/4	29 1/2	CAX1-16E90	CIX1-16E90
18	8 7/16	10 5/16	10 5/16	15 3/4	31 1/2	CAX1-18E90	CIX1-18E90
20	8 7/8	11 1/8	11 1/8	16 3/4	33 1/2	CAX1-20E90	CIX1-20E90
22	9 5/16	11 15/16	11 15/16	17 3/4	35 1/2	CAX1-22E90	CIX1-22E90
24	9 11/16	12 13/16	12 13/16	18 3/4	37 1/2	CAX1-24E90	CIX1-24E90
26	10 1/8	13 5/8	13 5/8	19 3/4	39 1/2	CAX1-26E90	CIX1-26E90
28	10 9/16	14 7/16	14 7/16	20 3/4	41 1/2	CAX1-28E90	CIX1-28E90
30	10 15/16	15 5/16	15 5/16	21 3/4	43 1/2	CAX1-30E90	CIX1-30E90
32	11 3/8	16 1/16	16 1/16	22 3/4	45 1/2	CAX1-32E90	CIX1-32E90
34	11 3/4	17	17	23 3/4	47 1/2	CAX1-34E90	CIX1-34E90
36	12 3/16	17 3/4	17 3/4	24 3/4	49 1/2	CAX1-36E90	CIX1-36E90

Material options (Inner-Outer): 304-Galvalume, 304-304, 316-Galvalume, 316-304

Flow resistance: K = 0.30

Elbows

90° Elbows (E90) continued

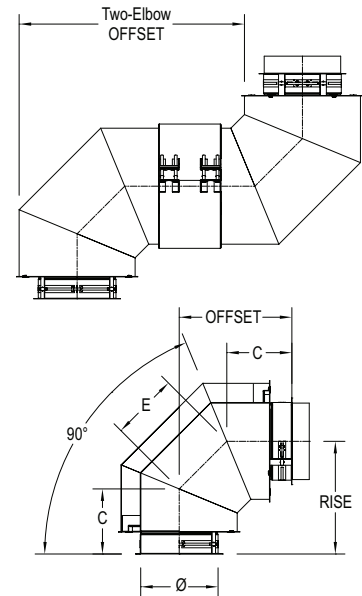
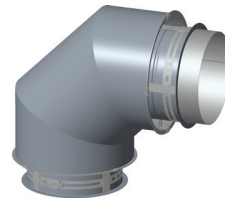
Used to change direction of the duct or to provide offset. Two elbows can establish many different degrees combined with other elbows and may also establish many different offset when combined with standard different lengths.

Included:

For SCL: One (1) Locking Inner "V" Band (BSI), and one (1) Centering Flue Extension (PR-C0794).

For CAX1: One (1) Locking Inner "V" Band (BSI), one (1) Centering Flue Extension (PR-C0794), and one (1) Outer Band (BSE).

For CIX1, CIX2, and CIX4: One (1) Locking Inner "V" Band (BSI), one (1) Centering Flue Extension (PR-C0794), one (1) 6" insulation band, and one (1) Outer Band (BSE).



90° Elbows - CIX2 (2" Wool Insulated)						
Ø (in.)	C (in.)	E (in.)	Offset (in.)	Rise (in.)	Two-Elbows Offset (in.)	Product Code
						One Elbow CIX2
5	6 3/16	5 3/4	5 3/4	10 1/4	20 1/2	CIX2-5E90
6	6 3/8	6 3/16	6 3/16	10 3/4	21 1/2	CIX2-6E90
7	6 5/8	6 9/16	6 9/16	11 1/4	22 1/2	CIX2-7E90
8	6 13/16	7	7	11 3/4	23 1/2	CIX2-8E90
9	7	7 7/16	7 7/16	12 1/4	24 1/2	CIX2-9E90
10	7 1/4	7 3/4	7 3/4	12 3/4	25 1/2	CIX2-10E90
11	7 7/16	8 1/4	8 1/4	13 1/4	26 1/2	CIX2-11E90
12	7 5/8	8 11/16	8 11/16	13 3/4	27 1/2	CIX2-12E90
13	7 13/16	9 1/8	9 1/8	14 1/4	28 1/2	CIX2-13E90
14	8 1/16	9 7/16	9 7/16	14 3/4	29 1/2	CIX2-14E90
16	8 7/16	10 5/16	10 5/16	15 3/4	31 1/2	CIX2-16E90
18	8 7/8	11 1/8	11 1/8	16 3/4	33 1/2	CIX2-18E90
20	9 5/16	11 15/16	11 15/16	17 3/4	35 1/2	CIX2-20E90
22	9 11/16	12 13/16	12 13/16	18 3/4	37 1/2	CIX2-22E90
24	10 1/8	13 5/8	13 5/8	19 3/4	39 1/2	CIX2-24E90
26	10 9/16	14 7/16	14 7/16	20 3/4	41 1/2	CIX2-26E90
28	10 15/16	15 5/16	15 5/16	21 3/4	43 1/2	CIX2-28E90
30	11 3/8	16 1/16	16 1/16	22 3/4	45 1/2	CIX2-30E90
32	11 3/4	17	17	23 3/4	47 1/2	CIX2-32E90
34	12 3/16	17 3/4	17 3/4	24 3/4	49 1/2	CIX2-34E90
36	12 5/8	18 9/16	18 9/16	25 3/4	51 1/2	CIX2-36E90

90° Elbows - CIX4 (4" Wool Insulated)						
Ø (in.)	C (in.)	E (in.)	Offset (in.)	Rise (in.)	Two-Elbows Offset (in.)	Product Code
						One Elbow CIX4
5	7	7 7/16	7 7/16	12 1/4	24 1/2	CIX4-5E90
6	7 1/4	7 3/4	7 3/4	12 3/4	25 1/2	CIX4-6E90
7	7 7/16	8 1/4	8 1/4	13 1/4	26 1/2	CIX4-7E90
8	7 5/8	8 11/16	8 11/16	13 3/4	27 1/2	CIX4-8E90
9	7 13/16	9 1/8	9 1/8	14 1/4	28 1/2	CIX4-9E90
10	8 1/16	9 7/16	9 7/16	14 3/4	29 1/2	CIX4-10E90
11	8 1/4	9 7/8	9 7/8	15 1/4	30 1/2	CIX4-11E90
12	8 7/16	10 5/16	10 5/16	15 3/4	31 1/2	CIX4-12E90
13	8 11/16	10 11/16	10 11/16	16 1/4	32 1/2	CIX4-13E90
14	8 7/8	11 1/8	11 1/8	16 3/4	33 1/2	CIX4-14E90
16	9 5/16	11 15/16	11 15/16	17 3/4	35 1/2	CIX4-16E90
18	9 11/16	12 13/16	12 13/16	18 3/4	37 1/2	CIX4-18E90
20	10 1/8	13 5/8	13 5/8	19 3/4	39 1/2	CIX4-20E90
22	10 9/16	14 7/16	14 7/16	20 3/4	41 1/2	CIX4-22E90
24	10 15/16	15 5/16	15 5/16	21 3/4	43 1/2	CIX4-24E90
26	11 3/8	16 1/16	16 1/16	22 3/4	45 1/2	CIX4-26E90
28	11 3/4	17	17	23 3/4	47 1/2	CIX4-28E90
30	12 3/16	17 3/4	17 3/4	24 3/4	49 1/2	CIX4-30E90
32	12 5/8	18 9/16	18 9/16	25 3/4	51 1/2	CIX4-32E90
34	13	19 7/16	19 7/16	26 3/4	53 1/2	CIX4-34E90
36	13 7/16	20 1/4	20 1/4	27 3/4	55 1/2	CIX4-36E90

Material options (Inner-Outer): 304-Galvalume, 304-304, 316-Galvalume, 316-304

Flow resistance: K = 0.30

Tees

90° Tees (T90)

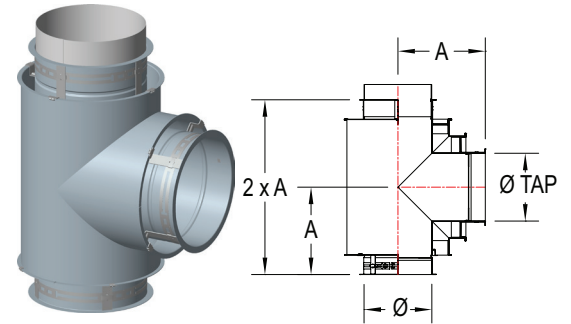
Used to change direction at 90° breeching. Can be used as an inspection access in horizontal or vertical runs as well as drain.

Included:

For SCL: One (1) Locking Inner "V" Band (BSI), and one (1) Centering Flue Extension (PR-C0794).

For CAX1: One (1) Locking Inner "V" Band (BSI), one (1) Centering Flue Extension (PR-C0794), and one (1) Outer Band (BSE).

For CIX1, CIX2, and CIX4: One (1) Locking Inner "V" Band (BSI), one (1) Centering Flue Extension (PR-C0794), one (1) 6" insulation band, and one (1) Outer Band (BSE).



Ø I.D. (in.)	SCL (Single Wall)		CAX1 (1" Air Insulated) / CIX1 (1" Wool Insulated)			CIX2 (2" Wool Insulated)		CIX4 (4" Wool Insulated)	
	A (in.)	Product Code	A (in.)	Product Code		A (in.)	Product Code	A (in.)	Product Code
5	6 1/16	SCL5T90	7 1/8	CAX1-5T90	CIX1-5T90	8 7/8	CIX2-5T90	10 7/8	CIX4-5T90
6	6 9/16	SCL6T90	7 5/8	CAX1-6T90	CIX1-6T90	9 3/8	CIX2-6T90	11 3/8	CIX4-6T90
7	7 1/16	SCL7T90	8 1/8	CAX1-7T90	CIX1-7T90	9 7/8	CIX2-7T90	11 7/8	CIX4-7T90
8	7 9/16	SCL8T90	8 5/8	CAX1-8T90	CIX1-8T90	10 3/8	CIX2-8T90	12 3/8	CIX4-8T90
9	8 1/16	SCL9T90	9 1/8	CAX1-9T90	CIX1-9T90	10 7/8	CIX2-9T90	12 7/8	CIX4-9T90
10	8 9/16	SCL10T90	9 5/8	CAX1-10T90	CIX1-10T90	11 3/8	CIX2-10T90	13 3/8	CIX4-10T90
11	9 1/16	SCL11T90	10 1/8	CAX1-11T90	CIX1-11T90	11 7/8	CIX2-11T90	13 7/8	CIX4-11T90
12	9 9/16	SCL12T90	10 5/8	CAX1-12T90	CIX1-12T90	12 3/8	CIX2-12T90	15 3/8	CIX4-12T90
13	10 1/16	SCL13T90	11 1/8	CAX1-13T90	CIX1-13T90	12 7/8	CIX2-13T90	15 7/8	CIX4-13T90
14	10 9/16	SCL14T90	12 1/8	CAX1-14T90	CIX1-14T90	13 3/8	CIX2-14T90	16 3/8	CIX4-14T90
16	11 9/16	SCL16T90	13 1/8	CAX1-16T90	CIX1-16T90	15 3/8	CIX2-16T90	17 3/8	CIX4-16T90
18	12 9/16	SCL18T90	14 1/8	CAX1-18T90	CIX1-18T90	16 3/8	CIX2-18T90	18 3/8	CIX4-18T90
20	13 9/16	SCL20T90	15 1/8	CAX1-20T90	CIX1-20T90	17 3/8	CIX2-20T90	19 3/8	CIX4-20T90
22	14 9/16	SCL22T90	16 1/8	CAX1-22T90	CIX1-22T90	18 3/8	CIX2-22T90	20 3/8	CIX4-22T90
24	15 9/16	SCL24T90	17 1/8	CAX1-24T90	CIX1-24T90	19 3/8	CIX2-24T90	23 3/8	CIX4-24T90
26	16 9/16	SCL26T90	18 1/8	CAX1-26T90	CIX1-26T90	20 3/8	CIX2-26T90	24 3/8	CIX4-26T90
28	17 9/16	SCL28T90	19 1/8	CAX1-28T90	CIX1-28T90	23 3/8	CIX2-28T90	25 3/8	CIX4-28T90
30	18 9/16	SCL30T90	20 1/8	CAX1-30T90	CIX1-30T90	24 3/8	CIX2-30T90	26 3/8	CIX4-30T90
32	19 9/16	SCL32T90	21 1/8	CAX1-32T90	CIX1-32T90	25 3/8	CIX2-32T90	27 3/8	CIX4-32T90
34	20 9/16	SCL34T90	22 1/8	CAX1-34T90	CIX1-34T90	26 3/8	CIX2-34T90	28 3/8	CIX4-34T90
36	21 9/16	SCL36T90	23 1/8	CAX1-36T90	CIX1-36T90	27 3/8	CIX2-36T90	29 3/8	CIX4-36T90

Material options (Inner-Outer): 304-Galvalume, 304-304, 316-Galvalume, 316- 304

Flow resistance: K = 1.25"

Also available with Smaller TAP diameter (Øtap).

Code for Smaller Tap: SCLØT90B(Øtap), CAX1-T90B(Øtap), CIX1-ØT90B(Øtap), CIX2-ØT-90B(Øtap), CIX4-ØT90B(Øtap).

Code example for Smaller Tap: a CIX1 90 degrees Tee of Ø12" with a tap of Ø10" = CIX1-12T90B10.

Also available with Smaller TAP (ØTAP) and Smaller Height.

Code for Smaller TAP & Smaller Height: SCLØT90B(Øtap)H(Øtap), CAX1-T90B(Øtap)H(Øtap), CIX1-ØT90B(Øtap)H(Øtap), CIX2-ØT90B(Øtap)H(Øtap), CIX4-ØT90B(Øtap)H(Øtap).

Code example for smaller Tap and smaller Height: a CIX1 90 degrees Tee of Ø12" with a tap of Ø10" and the Height of a regular T90 of Ø10 = CIX1-12T90B10H10.

Tees

45° Tees (T45)

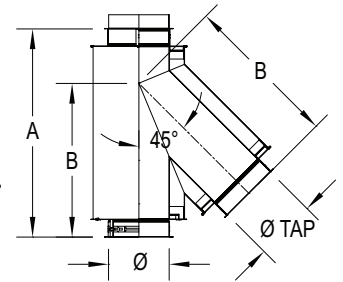
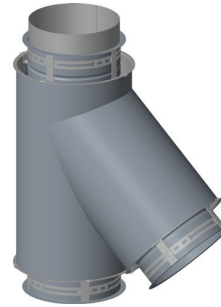
Used to change direction at 45° breeching a low resistance flow.

Included:

For SCL: One (1) Locking Inner "V" Band (BSI), and one (1) Centering Flue Extension (PR-C0794).

For CAX 1: One (1) Locking Inner "V" Band (BSI), one (1) Centering Flue Extension (PR-C0794), and one (1) Outer Band (BSE).

For CIX1, CIX2, and CIX4: One (1) Locking Inner "V" Band (BSI), one (1) Centering Flue Extension (PR-C0794), one (1) 6" insulation band, and one (1) Outer Band (BSE).



\varnothing (in.)	SCL (Single Wall)			CAX1 (1" Air Insulated) / CIX1 (1" Wool Insulated)				CIX2 (2" Wool Insulated)			CIX4 (4" Wool Insulated)		
	A (in.)	B (in.)	Product Code	A (in.)	B (in.)	Product Code		A (in.)	B (in.)	Product Code	A (in.)	B (in.)	Product Code
5	16 3/16	10 5/8	SCL5T45	18 5/8	12 13/16	CAX1-5T45	CIX1-5T45	21 7/16	15 1/4	CIX2-5T45	27 1/16	20 1/16	CIX4-5T45
6	17 5/8	11 13/16	SCL6T45	20	14 1/16	CAX1-6T45	CIX1-6T45	22 7/8	16 7/16	CIX2-6T45	28 1/2	21 5/16	CIX4-6T45
7	19	13 1/16	SCL7T45	21 7/16	15 1/4	CAX1-7T45	CIX1-7T45	24 1/4	17 11/16	CIX2-7T45	29 15/16	22 1/2	CIX4-7T45
8	20 7/16	14 1/4	SCL8T45	22 7/8	16 7/16	CAX1-8T45	CIX1-8T45	25 11/16	18 7/8	CIX2-8T45	31 5/16	23 11/16	CIX4-8T45
9	21 13/16	15 7/16	SCL9T45	24 1/4	17 11/16	CAX1-9T45	CIX1-9T45	27 1/16	20 1/16	CIX2-9T45	32 3/4	24 15/16	CIX4-9T45
10	23 1/4	16 11/16	SCL10T45	25 11/16	18 7/8	CAX1-10T45	CIX1-10T45	28 1/2	21 5/16	CIX2-10T45	34 3/16	26 1/8	CIX4-10T45
11	24 11/16	17 7/8	SCL11T45	27 1/16	20 1/16	CAX1-11T45	CIX1-11T45	29 15/16	22 1/2	CIX2-11T45	35 9/16	27 5/16	CIX4-11T45
12	26 1/16	19 1/16	SCL12T45	28 1/2	21 5/16	CAX1-12T45	CIX1-12T45	31 5/16	23 11/16	CIX2-12T45	39	29 1/2	CIX4-12T45
13	27 1/2	20 5/16	SCL13T45	29 15/16	22 1/2	CAX1-13T45	CIX1-13T45	32 3/4	24 15/16	CIX2-13T45	40 7/16	30 3/4	CIX4-13T45
14	28 15/16	21 1/2	SCL14T45	31 5/16	23 11/16	CAX1-14T45	CIX1-14T45	34 3/16	26 1/8	CIX2-14T45	41 13/16	31 15/16	CIX4-14T45
16	31 3/4	23 15/16	SCL16T45	34 3/16	26 1/8	CAX1-16T45	CIX1-16T45	39	29 1/2	CIX2-16T45	44 5/8	34 3/8	CIX4-16T45
18	34 9/16	26 5/16	SCL18T45	39	29 1/2	CAX1-18T45	CIX1-18T45	41 13/16	31 15/16	CIX2-18T45	47 1/2	36 3/4	CIX4-18T45
20	37 3/8	28 3/4	SCL20T45	41 13/16	31 15/16	CAX1-20T45	CIX1-20T45	44 5/8	34 3/8	CIX2-20T45	50 5/16	39 3/16	CIX4-20T45
22	40 1/4	31 3/16	SCL22T45	44 5/8	34 3/8	CAX1-22T45	CIX1-22T45	47 1/2	36 3/4	CIX2-22T45	53 1/8	41 5/8	CIX4-22T45
24	43 1/16	33 9/16	SCL24T45	47 1/2	36 3/4	CAX1-24T45	CIX1-24T45	50 5/16	39 3/16	CIX2-24T45	59 15/16	46	CIX4-24T45
26	45 7/8	36	SCL26T45	50 5/16	39 3/16	CAX1-26T45	CIX1-26T45	53 1/8	41 5/8	CIX2-26T45	62 13/16	48 7/16	CIX4-26T45
28	48 11/16	38 3/8	SCL28T45	53 1/8	41 5/8	CAX1-28T45	CIX1-28T45	59 15/16	46	CIX2-28T45	65 5/8	50 13/16	CIX4-28T45
30	51 9/16	40 13/16	SCL30T45	59 15/16	46	CAX1-30T45	CIX1-30T45	62 13/16	48 7/16	CIX2-30T45	68 7/16	53 1/4	CIX4-30T45
32	54 3/8	43 1/4	SCL32T45	62 13/16	48 7/16	CAX1-32T45	CIX1-32T45	65 5/8	50 13/16	CIX2-32T45	71 1/4	55 11/16	CIX4-32T45
34	57 3/16	45 5/8	SCL34T45	65 5/8	50 13/16	CAX1-34T45	CIX1-34T45	68 7/16	53 1/4	CIX2-34T45	74 1/8	58 1/16	CIX4-34T45
36	60	48 1/16	SCL36T45	68 7/16	53 1/4	CAX1-36T45	CIX1-36T45	71 1/4	55 11/16	CIX2-36T45	76 15/16	60 1/2	CIX4-36T45

Material options (Inner-Outer): 304-Galvalume, 304-304, 316-Galvalume, 316-304

Flow resistance: K = 0.40

Also available with Smaller TAP diameter (\varnothing tap).

Code for Smaller Tap: SCL \varnothing T45B(\varnothing tap), CAX1-T45B(\varnothing tap), CIX1- \varnothing T45B(\varnothing tap), CIX2- \varnothing T45B(\varnothing tap), CIX4- \varnothing T45B(\varnothing tap).

Code example for Smaller Tap: a CIX1 45-degrees Tee of \varnothing 12" with a tap of \varnothing 10" = CIX1-12T45B10

Also available with Smaller TAP (\varnothing TAP) and Smaller Height.

Code for Smaller TAP & Smaller Height: SCL \varnothing T45B(\varnothing tap)H(\varnothing tap), CAX1-T45B(\varnothing tap)H(\varnothing tap), CIX1- \varnothing T-45B(\varnothing tap)H(\varnothing tap), CIX2- \varnothing T45B(\varnothing tap)H(\varnothing tap), CIX4- \varnothing T45B(\varnothing tap)H(\varnothing tap).

Code example for smaller Tap and smaller Height: a CIX1 45-degrees Tee of \varnothing 12" with a tap of \varnothing 10" and the Height of a regular T45 of \varnothing 10 = CIX1-12T45B10H10

Tees

Double 45° Tees (TD45)

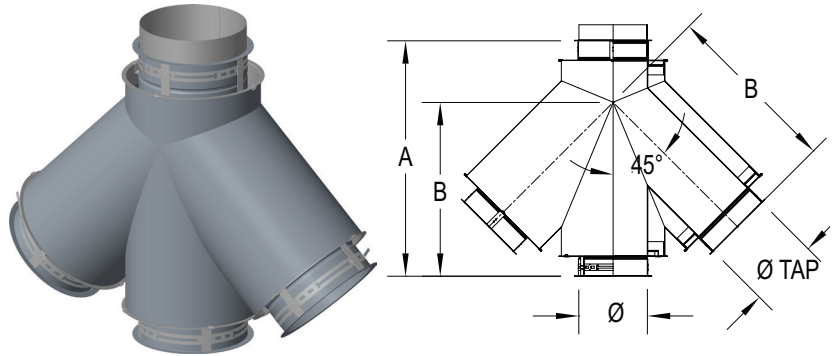
Used to centrally connect to appliance manifolds to a common chimney. The diameter of the taps (\varnothing TAPS) must be smaller than the diameter of the body (\varnothing BODY).

Included:

For SCL: One (1) Locking Inner "V" Band (BSI), and one (1) Centering Flue Extension (PR-C0794).

For CAX1: One (1) Locking Inner "V" Band (BSI), one (1) Centering Flue Extension (PR-C0794), and one (1) Outer Band (BSE).

For CIX1, CIX2, and CIX4: One (1) Locking Inner "V" Band (BSI), one (1) Centering Flue Extension (PR-C0794), one (1) 6" insulation band, and one (1) Outer Band (BSE).



Ø (in.)	Ø of the Taps available (in)	SCL (Single Wall)			CAX1 (1" Air Insulated) / CIX1 (1" Wool Insulated)			
		A (in.)	B (in.)	Product Code	A (in.)	B (in.)	Product Code	
5	N/A	N/A	N/A	N/A	N/A	N/A	N/A	N/A
6	5	17 5/8	11 13/16	SCL6TD45	20	14 1/16	CAX1-6TD45	CIX1-6TD45
7	5 to 6	19	13 1/16	SCL7TD45	21 7/16	15 1/4	CAX1-7TD45	CIX1-7TD45
8	5 to 7	20 7/16	14 1/4	SCL8TD45	22 7/8	16 7/16	CAX1-8TD45	CIX1-8TD45
9	5 to 8	21 13/16	15 7/16	SCL9TD45	24 1/4	17 11/16	CAX1-9TD45	CIX1-9TD45
10	5 to 9	23 1/4	16 11/16	SCL10TD45	25 11/16	18 7/8	CAX1-10TD45	CIX1-10TD45
11	5 to 10	24 11/16	17 7/8	SCL11TD45	27 1/16	20 1/16	CAX1-11TD45	CIX1-11TD45
12	5 to 11	26 1/16	19 1/16	SCL12TD45	28 1/2	21 5/16	CAX1-12TD45	CIX1-12TD45
13	5 to 12	27 1/2	20 5/16	SCL13TD45	29 15/16	22 1/2	CAX1-13TD45	CIX1-13TD45
14	5 to 13	28 15/16	21 1/2	SCL14TD45	31 5/16	23 11/16	CAX1-14TD45	CIX1-14TD45
16	5 to 14	31 3/4	23 15/16	SCL16TD45	34 3/16	26 1/8	CAX1-16TD45	CIX1-16TD45
18	5 to 16	34 9/16	26 5/16	SCL18TD45	39	29 1/2	CAX1-18TD45	CIX1-18TD45
20	5 to 18	37 3/8	28 3/4	SCL20TD45	41 13/16	31 15/16	CAX1-20TD45	CIX1-20TD45
22	5 to 20	40 1/4	31 3/16	SCL22TD45	44 5/8	34 3/8	CAX1-22TD45	CIX1-22TD45
24	5 to 22	43 1/16	33 9/16	SCL24TD45	47 1/2	36 3/4	CAX1-24TD45	CIX1-24TD45
26	5 to 24	45 7/8	36	SCL26TD45	50 5/16	39 3/16	CAX1-26TD45	CIX1-26TD45
28	5 to 26	48 11/16	38 3/8	SCL28TD45	53 1/8	41 5/8	CAX1-28TD45	CIX1-28TD45
30	5 to 28	51 9/16	40 13/16	SCL30TD45	59 15/16	46	CAX1-30TD45	CIX1-30TD45
32	5 to 30	54 3/8	43 1/4	SCL32TD45	62 13/16	48 7/16	CAX1-32TD45	CIX1-32TD45
34	5 to 32	57 3/16	45 5/8	SCL34TD45	65 5/8	50 13/16	CAX1-34TD45	CIX1-34TD45
36	5 to 34	60	48 1/16	SCL36TD45	68 7/16	53 1/4	CAX1-36TD45	CIX1-36TD45

Material options (Inner-Outer): 304-Galvalume, 304-304, 316-Galvalume, 316-304

Flow resistance: K = 0.40

Also available with Smaller TAPS diameter (\varnothing tap).

Code for Smaller Tap: SCLØT45B(\varnothing tap), CAX1-T45B(\varnothing tap), CIX1-ØT45B(\varnothing tap), CIX2-ØT45B(\varnothing tap), CIX4-ØT45B(\varnothing tap).

Code example for Smaller Taps: a CIX1 double 45-degrees Tee of Ø12" with a tap of Ø10" = CIX1-12TD45B10.

Also available with Smaller TAPS (\varnothing TAPS) and Smaller Height.

Code for Smaller TAPS & Smaller Height: SCLØTD45B(\varnothing tap)H(\varnothing tap), CAX1-TD45B(\varnothing tap)H(\varnothing tap), CIX1-ØTD45B(\varnothing tap)H(\varnothing tap), CIX2-ØTD45B(\varnothing tap)H(\varnothing tap), CIX4-ØTD45B(\varnothing tap)H(\varnothing tap).

Code example for smaller Taps and smaller Height: a CIX1 double 45-degrees Tee of Ø12" with both taps of Ø10" and the Height of a regular TD45 of Ø10 = CIX1-12TD45B10H10.

Tees

Double 45° Tees (TD45) continued

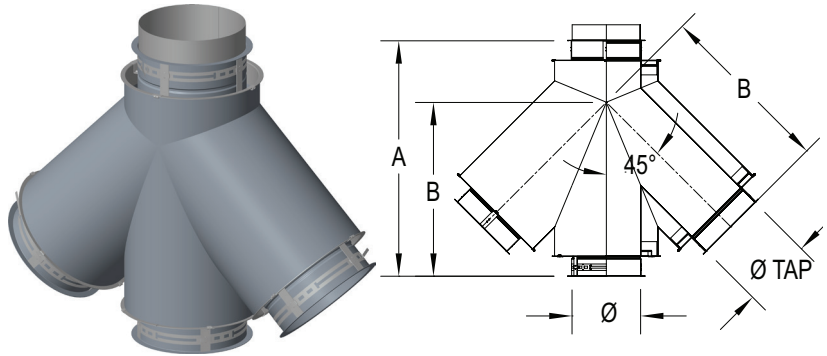
Used to centrally connect to appliance manifolds to a common chimney. The diameter of the taps (\emptyset TAPS) must be smaller than the diameter of the body (\emptyset BODY).

Included:

For SCL: One (1) Locking Inner "V" Band (BSI), and one (1) Centering Flue Extension (PR-C0794).

For CAX1: One (1) Locking Inner "V" Band (BSI), one (1) Centering Flue Extension (PR-C0794), and one (1) Outer Band (BSE).

For CIX1, CIX2, and CIX4: One (1) Locking Inner "V" Band (BSI), one (1) Centering Flue Extension (PR-C0794), one (1) 6" insulation band, and one (1) Outer Band (BSE).



Ø (in.)	Ø of the Taps available (in)	CIX2 (2" Wool Insulated)			CIX4 (4" Wool Insulated)		
		A (in.)	B (in.)	Product Code	A (in.)	B (in.)	Product Code
5	N/A	N/A	N/A	N/A	N/A	N/A	N/A
6	5	22 7/8	16 7/16	CIX2-6TD45	28 1/2	21 5/16	CIX4-6TD45
7	5 to 6	24 1/4	17 11/16	CIX2-7TD45	29 15/16	22 1/2	CIX4-7TD45
8	5 to 7	25 11/16	18 7/8	CIX2-8TD45	31 5/16	23 11/16	CIX4-8TD45
9	5 to 8	27 1/16	20 1/16	CIX2-9TD45	32 3/4	24 15/16	CIX4-9TD45
10	5 to 9	28 1/2	21 5/16	CIX2-10TD45	34 3/16	26 1/8	CIX4-10TD45
11	5 to 10	29 15/16	22 1/2	CIX2-11TD45	35 9/16	27 5/16	CIX4-11TD45
12	5 to 11	31 5/16	23 11/16	CIX2-12TD45	39	29 1/2	CIX4-12TD45
13	5 to 12	32 3/4	24 15/16	CIX2-13TD45	40 7/16	30 3/4	CIX4-13TD45
14	5 to 13	34 3/16	26 1/8	CIX2-14TD45	41 13/16	31 15/16	CIX4-14TD45
16	5 to 14	39	29 1/2	CIX2-16TD45	44 5/8	34 3/8	CIX4-16TD45
18	5 to 16	41 13/16	31 15/16	CIX2-18TD45	47 1/2	36 3/4	CIX4-18TD45
20	5 to 18	44 5/8	34 3/8	CIX2-20TD45	50 5/16	39 3/16	CIX4-20TD45
22	5 to 20	47 1/2	36 3/4	CIX2-22TD45	53 1/8	41 5/8	CIX4-22TD45
24	5 to 22	50 5/16	39 3/16	CIX2-24TD45	59 15/16	46	CIX4-24TD45
26	5 to 24	53 1/8	41 5/8	CIX2-26TD45	62 13/16	48 7/16	CIX4-26TD45
28	5 to 26	59 15/16	46	CIX2-28TD45	65 5/8	50 13/16	CIX4-28TD45
30	5 to 28	62 13/16	48 7/16	CIX2-30TD45	68 7/16	53 1/4	CIX4-30TD45
32	5 to 30	65 5/8	50 13/16	CIX2-32TD45	71 1/4	55 11/16	CIX4-32TD45
34	5 to 32	68 7/16	53 1/4	CIX2-34TD45	74 1/8	58 1/16	CIX4-34TD45
36	5 to 34	71 1/4	55 11/16	CIX2-36TD45	76 15/16	60 1/2	CIX4-36TD45

Material options (Inner-Outer): 304-Galvalume, 304-304, 316-Galvalume, 316-304

Flow resistance: K = 0.40

Also available with Smaller TAPS diameter (\emptyset tap).

Code for Smaller Tap: SCL \emptyset T45B(\emptyset tap), CAX1-T45B(\emptyset tap), CIX1- \emptyset T45B(\emptyset tap), CIX2- \emptyset T45B(\emptyset tap), CIX4- \emptyset T45B(\emptyset tap).

Code example for Smaller Taps: a CIX1 double 45-degrees Tee of \emptyset 12" with a tap of \emptyset 10" = CIX1-12TD45B10.

Also available with Smaller TAPS (\emptyset TAPS) and Smaller Height.

Code for Smaller TAPS & Smaller Height: SCL \emptyset TD45B(\emptyset tap)H(\emptyset tap), CAX1-TD45B(\emptyset tap)H(\emptyset tap), CIX1- \emptyset TD45B(\emptyset tap)H(\emptyset tap), CIX2- \emptyset TD45B(\emptyset tap)H(\emptyset tap), CIX4- \emptyset TD45B(\emptyset tap)H(\emptyset tap).

Code example for smaller Taps and smaller Height: a CIX1 double 45-degrees Tee of \emptyset 12" with both taps of \emptyset 10" and the Height of a regular TD45 of \emptyset 10 = CIX1-12TD45B10H10.

Tees

Y-Tees (TY)

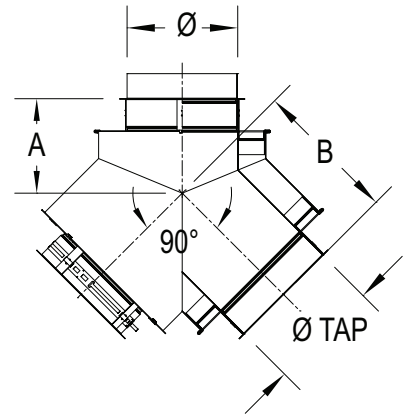
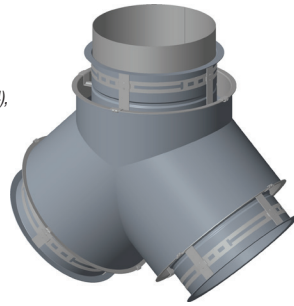
Used to provide low-pressure drop for joining two appliances. Can be used as a single clean out toward each 90° direction change. Offers same diameter on all branches, but available with smaller snout.

Included:

For SCL: One (1) Locking Inner "V" Band (BSI), and one (1) Centering Flue Extension (PR-C0794).

For CAX1: One (1) Locking Inner "V" Band (BSI), one (1) Centering Flue Extension (PR-C0794), and one (1) Outer Band (BSE).

For CIX1, CIX2, and CIX4: One (1) Locking Inner "V" Band (BSI), one (1) Centering Flue Extension (PR-C0794), one (1) 6" insulation band, and one (1) Outer Band (BSE).



Ø I.D. (in.)	SCL (Single Wall)			CAX1 (1" Air Insulated) / CIX1 (1" Wool Insulated)			
	A (in.)	B (in.)	Product Code	A (in.)	B (in.)	Product Code	
5	5 9/16	7 1/16	SCL5TY	5 13/16	7 7/8	CAX1-5TY	CIX1-5TY
6	5 3/4	7 9/16	SCL6TY	6	8 3/8	CAX1-6TY	CIX1-6TY
7	6	8 1/16	SCL7TY	6 3/16	8 7/8	CAX1-7TY	CIX1-7TY
8	6 3/16	8 9/16	SCL8TY	6 7/16	9 3/8	CAX1-8TY	CIX1-8TY
9	6 3/8	9 1/16	SCL9TY	6 5/8	9 7/8	CAX1-9TY	CIX1-9TY
10	6 5/8	9 9/16	SCL10TY	6 13/16	10 3/8	CAX1-10TY	CIX1-10TY
11	6 13/16	10 1/16	SCL11TY	7	10 7/8	CAX1-11TY	CIX1-11TY
12	7	10 9/16	SCL12TY	7 1/4	11 3/8	CAX1-12TY	CIX1-12TY
13	7 1/4	11 1/16	SCL13TY	7 7/16	11 7/8	CAX1-13TY	CIX1-13TY
14	7 7/16	11 9/16	SCL14TY	7 5/8	12 3/8	CAX1-14TY	CIX1-14TY
16	7 7/8	12 9/16	SCL16TY	8 1/16	13 3/8	CAX1-16TY	CIX1-16TY
18	8 1/4	13 9/16	SCL18TY	9 1/2	15 3/8	CAX1-18TY	CIX1-18TY
20	8 11/16	14 9/16	SCL20TY	9 7/8	16 3/8	CAX1-20TY	CIX1-20TY
22	9 1/16	15 9/16	SCL22TY	10 5/16	17 3/8	CAX1-22TY	CIX1-22TY
24	9 1/2	16 9/16	SCL24TY	10 3/4	18 3/8	CAX1-24TY	CIX1-24TY
26	9 15/16	17 9/16	SCL26TY	11 1/8	19 3/8	CAX1-26TY	CIX1-26TY
28	10 5/16	18 9/16	SCL28TY	11 9/16	20 3/8	CAX1-28TY	CIX1-28TY
30	10 3/4	19 9/16	SCL30TY	13 15/16	23 3/8	CAX1-30TY	CIX1-30TY
32	11 3/16	20 9/16	SCL32TY	14 3/8	24 3/8	CAX1-32TY	CIX1-32TY
34	11 9/16	21 9/16	SCL34TY	14 13/16	25 3/8	CAX1-34TY	CIX1-34TY
36	12	22 9/16	SCL36TY	15 3/16	26 3/8	CAX1-36TY	CIX1-36TY

Material options (Inner-Outer): 304-Galvalume, 304-304, 316-Galvalume, 316-304

Flow resistance: K = 0.60

Also available with Smaller TAP diameter (Øtap).

Code for Smaller Tap : SCLØTYB(Øtap), CAX1-TYB(Øtap), CIX1-ØTYB(Øtap), CIX2-ØTYB(Øtap), CIX4-ØTYB(Øtap)

Code example for Smaller Tap: a CIX1 90 degrees Tee of Ø12" with a tap of Ø10" = CAX1-12T90B10

Tees

Y-Tees (TY) continued

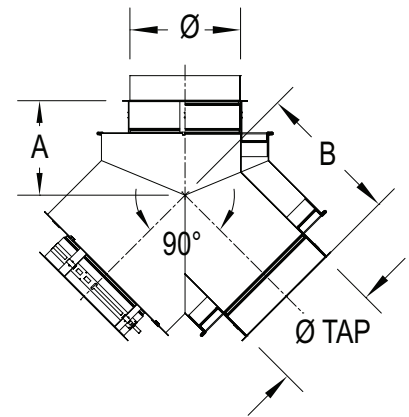
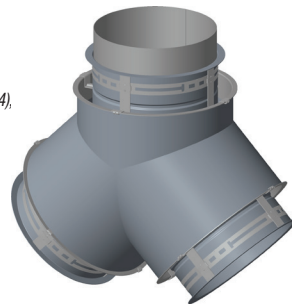
Used to provide low-pressure drop for joining two appliances. Can be used as a single clean out toward each 90° direction change. Offers same diameter on all branches, but available with smaller snout.

Included:

For SCL: One (1) Locking Inner "V" Band (BSI), and one (1) Centering Flue Extension (PR-C0794).

For CAX1: One (1) Locking Inner "V" Band (BSI), one (1) Centering Flue Extension (PR-C0794), and one (1) Outer Band (BSE).

For CIX1, CIX2, and CIX4: One (1) Locking Inner "V" Band (BSI), one (1) Centering Flue Extension (PR-C0794), one (1) 6" insulation band, and one (1) Outer Band (BSE).



Ø I.D. (in.)	CIX2 (2" Wool Insulated)			CIX4 (4" Wool Insulated)		
	A (in.)	B (in.)	Product Code	A (in.)	B (in.)	Product Code
5	6 3/16	8 7/8	CIX2-5TY	7	10 7/8	CIX4-5TY
6	6 7/16	9 3/8	CIX2-6TY	7 1/4	11 3/8	CIX4-6TY
7	6 5/8	9 7/8	CIX2-7TY	7 7/16	11 7/8	CIX4-7TY
8	6 13/16	10 3/8	CIX2-8TY	7 5/8	12 3/8	CIX4-8TY
9	7	10 7/8	CIX2-9TY	7 7/8	12 7/8	CIX4-9TY
10	7 1/4	11 3/8	CIX2-10TY	8 1/16	13 3/8	CIX4-10TY
11	7 7/16	11 7/8	CIX2-11TY	8 1/4	13 7/8	CIX4-11TY
12	7 5/8	12 3/8	CIX2-12TY	9 1/2	15 3/8	CIX4-12TY
13	7 7/8	12 7/8	CIX2-13TY	9 11/16	15 7/8	CIX4-13TY
14	8 1/16	13 3/8	CIX2-14TY	9 7/8	16 3/8	CIX4-14TY
16	9 1/2	15 3/8	CIX2-16TY	10 5/16	17 3/8	CIX4-16TY
18	9 7/8	16 3/8	CIX2-18TY	10 3/4	18 3/8	CIX4-18TY
20	10 5/16	17 3/8	CIX2-20TY	11 1/8	19 3/8	CIX4-20TY
22	10 3/4	18 3/8	CIX2-22TY	11 9/16	20 3/8	CIX4-22TY
24	11 1/8	19 3/8	CIX2-24TY	13 15/16	23 3/8	CIX4-24TY
26	11 9/16	20 3/8	CIX2-26TY	14 3/8	24 3/8	CIX4-26TY
28	13 15/16	23 3/8	CIX2-28TY	14 13/16	25 3/8	CIX4-28TY
30	14 3/8	24 3/8	CIX2-30TY	15 3/16	26 3/8	CIX4-30TY
32	14 13/16	25 3/8	CIX2-32TY	15 5/8	27 3/8	CIX4-32TY
34	15 3/16	26 3/8	CIX2-34TY	16 1/16	28 3/8	CIX4-34TY
36	15 5/8	27 3/8	CIX2-36TY	16 7/16	29 3/8	CIX4-36TY

Material options (Inner-Outer): 304-Galvalume, 304-304, 316-Galvalume, 316-304

Flow resistance: K = 0.60

Also available with Smaller TAP diameter (Øtap).

Code for Smaller Tap : SCLØTYB(Øtap), CAX1-TYB(Øtap), CIX1-ØTYB(Øtap), CIX2-ØTYB(Øtap), CIX4-ØTYB(Øtap)

Code example for Smaller Tap: a CIX1 90 degrees Tee of Ø12" with a tap of Ø10" = CAX1-12T90B10

Tees

Lateral Tees (BT)

Used to change direction at 90° at lower resistance flow.

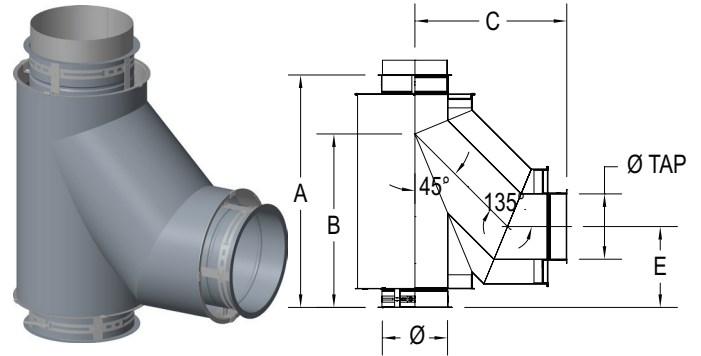
NOTE: LATERAL TEE (BT) ONLY AVAILABLE UP TO 24".
FOR SIZES 26"-36", USE A COMBINATION OF 450 TEE (T45) AND 450 ELBOW (E45).

Included:

For SCL: One (1) Locking Inner "V" Band (BSI), and one (1) Centering Flue Extension (PR-C0794).

For CAX1: One (1) Locking Inner "V" Band (BSI), one (1) Centering Flue Extension (PR-C0794), and one (1) Outer Band (BSE).

For CIX1, CIX2, and CIX4: One (1) Locking Inner "V" Band (BSI), one (1) Centering Flue Extension (PR-C0794), one (1) 6" insulation band, and one (1) Outer Band (BSE).



Ø I.D. (in.)	SCL (Single Wall)					CAX1 (1" Air Insulated) / CIX1 (1" Wool Insulated)					
	A (in.)	B (in.)	C (in.)	E (in.)	Product Code	A (in.)	B (in.)	C (in.)	E (in.)	Product Code	
5	16 3/16	10 5/8	12 5/16	3 7/8	SCL5BT	18 5/8	12 13/16	12 3/16	6 3/8	CAX1-5BT	CIX1-5BT
6	17 5/8	11 13/16	13 1/4	4 5/16	SCL6BT	20	14 1/16	13 1/8	6 15/16	CAX1-6BT	CIX1-6BT
7	19	13 1/16	14 3/16	4 7/8	SCL7BT	21 7/16	15 1/4	14	7 7/16	CAX1-7BT	CIX1-7BT
8	20 7/16	14 1/4	15 1/16	5 3/8	SCL8BT	22 7/8	16 7/16	14 15/16	7 15/16	CAX1-8BT	CIX1-8BT
9	21 13/16	15 7/16	16	5 7/8	SCL9BT	24 1/4	17 11/16	15 13/16	8 7/16	CAX1-9BT	CIX1-9BT
10	23 1/4	16 11/16	16 7/8	6 3/8	SCL10BT	25 11/16	18 7/8	16 3/4	8 15/16	CAX1-10BT	CIX1-10BT
11	24 11/16	17 7/8	17 13/16	6 7/8	SCL11BT	27 1/16	20 1/16	17 11/16	9 7/16	CAX1-11BT	CIX1-11BT
12	26 1/16	19 1/16	18 3/4	7 3/8	SCL12BT	28 1/2	21 1/4	18 9/16	9 7/8	CAX1-12BT	CIX1-12BT
13	27 1/2	20 5/16	19 5/8	7 7/8	SCL13BT	29 15/16	22 1/2	19 1/2	10 7/16	CAX1-13BT	CIX1-13BT
14	28 15/16	21 1/2	20 9/16	8 3/8	SCL14BT	31 5/16	23 11/16	20 7/16	10 15/16	CAX1-14BT	CIX1-14BT
16	31 3/4	23 15/16	22 3/8	9 3/8	SCL16BT	34 3/16	26 1/8	22 1/4	11 15/16	CAX1-16BT	CIX1-16BT
18	34 9/16	26 5/16	24 3/16	10 3/8	SCL18BT	39	29 1/2	25 3/4	13 3/16	CAX1-18BT	CIX1-18BT
20	37 3/8	28 3/4	26 1/16	11 3/8	SCL20BT	41 13/16	31 15/16	27 5/8	14 3/16	CAX1-20BT	CIX1-20BT
22	40 1/4	31 3/16	27 7/8	12 3/8	SCL22BT	44 5/8	34 3/8	29 7/16	15 1/4	CAX1-22BT	CIX1-22BT
24	43 1/16	33 9/16	29 11/16	13 3/8	SCL24BT	47 1/2	36 3/4	31 1/4	16 3/16	CAX1-24BT	CIX1-24BT

Material options (Inner-Outer): 304-Galvalume, 304-304, 316-Galvalume, 316-304

Flow resistance: K = 0.55

Also available with Smaller TAP diameter (Øtap).

Code for Smaller Tap : SCLØBTB(Øtap), CAX1-BTB(Øtap), CIX1-ØBTB(Øtap), CIX2-ØBTB(Øtap), CIX4-ØBTB(Øtap).

Code example for Smaller Tap: a CIX1 Lateral Tee of Ø12" with a tap of Ø10" = CAX1-12BTB10.

Also available with Smaller TAPS (ØTAPS) and Smaller Height.

Code for Smaller TAPS & Smaller Height: SCLØBTB(Øtap)H(Øtap), CAX1-BTB(Øtap)H(Øtap), CIX1-ØBTB(Øtap)H(Øtap), CIX2-ØBTB(Øtap)H(Øtap), CIX4-ØBTB(Øtap)H(Øtap).

Code example for smaller Taps and smaller Height: a CIX1 Lateral Tee of Ø12" with a tap of Ø10" and the Height of a regular BT of Ø10 = CAX1-12BTB10H10.

Tees

Lateral Tees (BT) continued

Used to change direction at 90° at lower resistance flow.

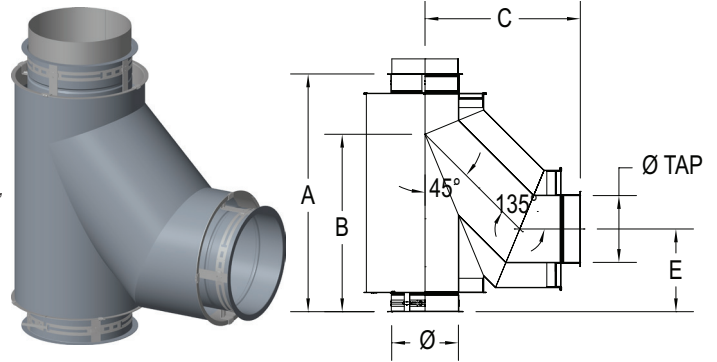
NOTE: LATERAL TEE (BT) ONLY AVAILABLE UP TO 24".
FOR SIZES 26"-36", USE A COMBINATION OF 450 TEE (T45) AND 450 ELBOW (E45).

Included:

For SCL: One (1) Locking Inner "V" Band (BSI), and one (1) Centering Flue Extension (PR-C0794).

For CAX1: One (1) Locking Inner "V" Band (BSI), one (1) Centering Flue Extension (PR-C0794), and one (1) Outer Band (BSE).

For CIX1, CIX2, and CIX4: One (1) Locking Inner "V" Band (BSI), one (1) Centering Flue Extension (PR-C0794), one (1) 6" insulation band, and one (1) Outer Band (BSE).



Ø I.D. (in.)	CIX2 (2" Wool Insulated)					CIX4 (4" Wool Insulated)				
	A (in.)	B (in.)	C (in.)	E (in.)	Product Code	A (in.)	B (in.)	C (in.)	E (in.)	Product Code
5	21 7/16	15 1/4	14	7 7/16	CIX2-5BT	27 1/16	20 1/16	17 11/16	9 7/16	CIX4-5BT
6	22 7/8	16 7/16	14 15/16	7 15/16	CIX2-6BT	28 1/2	21 1/4	18 9/16	9 7/8	CIX4-6BT
7	24 1/4	17 11/16	15 13/16	8 7/16	CIX2-7BT	29 15/16	22 1/2	19 1/2	10 7/16	CIX4-7BT
8	25 11/16	18 7/8	16 3/4	8 15/16	CIX2-8BT	31 5/16	23 11/16	20 7/16	10 15/16	CIX4-8BT
9	27 1/16	20 1/16	17 11/16	9 7/16	CIX2-9BT	32 3/4	24 7/8	21 5/16	11 3/8	CIX4-9BT
10	28 1/2	21 1/4	18 9/16	9 7/8	CIX2-10BT	34 3/16	26 1/8	22 1/4	11 15/16	CIX4-10BT
11	29 15/16	22 1/2	19 1/2	10 7/16	CIX2-11BT	35 9/16	27 5/16	23 3/16	12 7/16	CIX4-11BT
12	31 5/16	23 11/16	20 7/16	10 15/16	CIX2-12BT	39	29 1/2	25 3/4	13 3/16	CIX4-12BT
13	32 3/4	24 7/8	21 5/16	11 3/8	CIX2-13BT	40 7/16	30 3/4	26 11/16	13 3/4	CIX4-13BT
14	34 3/16	26 1/8	22 1/4	11 15/16	CIX2-14BT	41 13/16	31 15/16	27 5/8	14 3/16	CIX4-14BT
16	39	29 1/2	25 3/4	13 3/16	CIX2-16BT	44 5/8	34 3/8	29 7/16	15 1/4	CIX4-16BT
18	41 13/16	31 15/16	27 5/8	14 3/16	CIX2-18BT	47 1/2	36 3/4	31 1/4	16 3/16	CIX4-18BT
20	44 5/8	34 3/8	29 7/16	15 1/4	CIX2-20BT	50 5/16	39 3/16	33 1/16	17 1/4	CIX4-20BT
22	47 1/2	36 3/4	31 1/4	16 3/16	CIX2-22BT	53 1/8	41 5/8	34 15/16	18 1/4	CIX4-22BT
24	50 5/16	39 3/16	33 1/16	17 1/4	CIX2-24BT	59 15/16	46	40 3/16	19 13/16	CIX4-24BT

Material options (Inner-Outer): 304-Galvalume, 304-304, 316-Galvalume, 316-304

Flow resistance: K = 0.55

Also available with Smaller TAP diameter (Øtap).

Code for Smaller Tap : SCLØBTB(Øtap), CAX1-BTB(Øtap), CIX1-ØBTB(Øtap), CIX2-ØBTB(Øtap), CIX4-ØBTB(Øtap).

Code example for Smaller Tap: a CIX1 Lateral Tee of Ø12" with a tap of Ø10" = CAX1-12BTB10.

Also available with Smaller TAPS (ØTAPS) and Smaller Height.

Code for Smaller TAPS & Smaller Height: SCLØBTB(Øtap)H(Øtap), CAX1-BTB(Øtap)H(Øtap), CIX1-ØBTB(Øtap)H(Øtap), CIX2-ØBTB(Øtap)H(Øtap), CIX4-ØBTB(Øtap)H(Øtap).

Code example for smaller Taps and smaller Height: a CIX1 Lateral Tee of Ø12" with a tap of Ø10" and the Height of a regular BT of Ø10" = CAX1-12BTB10H10.

Tee Accessories / Access

Tee Cap (TC)

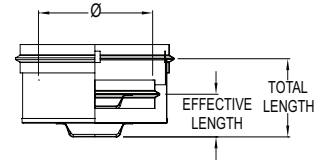
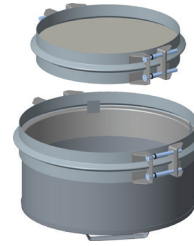
Used to close, seal or provide access for cleanout unused tee ports.

Included:

For SCL: One (1) disc with handle, and one (1) SMALL Locking Inner "V" Band (BSI).

For CAX1: One (1) disc with handle, one (1) SMALLER Locking Inner "V" Band (BSI), one (1) LARGER Locking Inner "V" Band, and one (1) outer bucket-casing with handles.

For CIX1, CIX2, and CIX4: One (1) disc with handle, one (1) SMALLER Locking Inner "V" Band (BSI), one (1) LARGER Locking Inner "V" Band, one (1) outer bucket-casing with handles, one (1) (CIX1, CIX2) or two (2) (CIX4) round Insulated pad, and one (1) insulation wrap.



Ø (in.)	SCL (Single Wall)			CAX1 (1" Air Insulated) / CIX1 (1" Wool Insulated)				CIX2 (2" Wool Insulated)			CIX4 (4" Wool Insulated)		
	Total Length (in)	Effective Length (in)	Product Code	Total Length (in)	Effective Length (in)	Product Code		Total Length (in)	Effective Length (in)	Product Code	Total Length (in)	Effective Length (in)	Product Code
5" to 36"	1	1	SCLØTC	5 1/2	2 3/4	CAX1-ØTC	CIX1-ØTC	6 1/2	3 3/4	CIX2-ØTC	8 1/2	5 3/4	CIX4-ØTC

Material options (Inner-Outer): 304-Galvalume, 304-304, 316-Galvalume, 316-304

Drain Tee Cap (DTC)

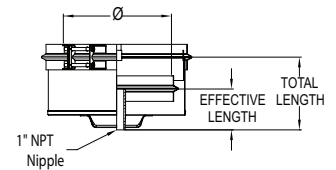
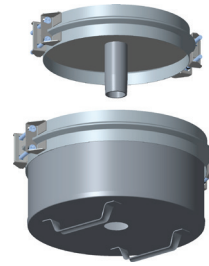
Used to close and seal unused tee ports and to provide drain point for condensation at the base of a vertical duct run. 1" NPT nipple.

Included:

For SCL: One (1) disc with a 1" NPT nipple and one (1) SMALL Locking Inner "V" Band (BSI).

For CAX1: One (1) disc with a 1" NPT, one (1) SMALLER Locking Inner "V" Band (BSI), one (1) LARGER Locking Inner "V" Band, and one (1) outer bucket-casing with handles.

For CIX1, CIX2, and CIX4: One (1) disc with a 1" NPT, one (1) SMALLER Locking Inner "V" Band (BSI), one (1) LARGER Locking Inner "V" Band, one (1) outer bucket-casing with Handles, one (1) (CIX1 and CIX2) or two (2) (CIX4 only) round Insulated pad, and one (1) insulation wrap.



Ø (in.)	SCL (Single Wall)			CAX1 (1" Air Insulated) / CIX1 (1" Wool Insulated)				CIX2 (2" Wool Insulated)			CIX4 (4" Wool Insulated)		
	Total Length (in)	Effective Length (in)	Product Code	Total Length (in)	Effective Length (in)	Product Code		Total Length (in)	Effective Length (in)	Product Code	Total Length (in)	Effective Length (in)	Product Code
5" to 36"	2	2	SCLØDTC	5 1/2	3	CAX1-ØDTC	CAX1-ØDTC	6 1/2	4	CIX2-ØDTC	8 1/2	6	CIX4-ØDTC

Material options (Inner-Outer): 304-Galvalume, 304-304, 316-Galvalume, 316-304

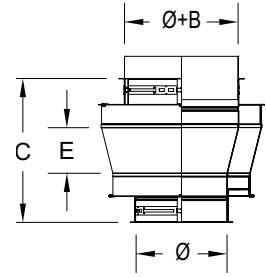
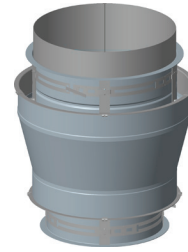
Connections - Starting Adaptors

Tapered Increaser Adaptors (TINØ)

Used when a pipe diameter change (increasing) is required. Tapered increasers are preferred over Step Increasers when space permits.

Included:

For SCL: All items for the LARGER diameter: One (1) Locking Inner "V" Band (BSI), and one (1) Centering Flue Extension (PR-C0794).
For CAX1: All items for the LARGER diameter: One (1) Locking Inner "V" Band (BSI), one (1) Centering Flue Extension (PR-C0794), and one (1) Outer Band (BSE).
For CIX1, CIX2, and CIX4: All items for the LARGER diameter: One (1) Locking Inner "V" Band (BSI), one (1) Centering Flue Extension (PR-C0794), one (1) 6" insulation band, and one (1) Outer Band (BSE).



Ø (in.)	B	C - Effective Length (in.)	E (in.)	Product Code				
				SCL (Single Wall)	CAX1 (1" Air Insulated)	CIX1 (1" Insulated)	CIX2 (2" Insulated)	CIX4 (4" Insulated)
From Ø5 to Ø14, diameter increments by 1"	1	10 3/4	2	SCLØTIN(Ø+B)	CAX1-ØTIN(Ø+B)	CIX1-ØTIN(Ø+B)	CIX2-ØTIN(Ø+B)	CIX4-ØTIN(Ø+B)
	2	12 3/4	4					
	3	14 3/4	6					
	4	16 3/4	8					
	5	18 3/4	10					
	6	20 3/4	12					
From Ø16 to Ø34, diameter increments by 2"	2	12 3/4	4	SCLØTIN(Ø+B)	CAX1-ØTIN(Ø+B)	CIX1-ØTIN(Ø+B)	CIX2-ØTIN(Ø+B)	CIX4-ØTIN(Ø+B)
	4	16 3/4	8					
	6	20 3/4	12					

Material options (Inner-Outer): 304-Galvalume, 304-304, 316-Galvalume, 316-304

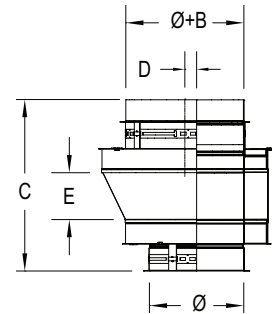
Flow resistance: $K = 0.63 [1 - (\frac{\delta}{\delta+B})^2]^2 / (\frac{\delta}{\delta+B})^4$

Eccentric Tapered Increaser Adaptors (ETINØ)

Used when a pipe diameter change (increasing) and a flat bottom on horizontal runs is required.

Included:

For SCL: All items for the LARGER diameter: One (1) Locking Inner "V" Band (BSI), and one (1) Centering Flue Extension (PR-C0794).
For CAX1: All items for the LARGER diameter: One (1) Locking Inner "V" Band (BSI), one (1) Centering Flue Extension (PR-C0794), and one (1) Outer Band (BSE).
For CIX1, CIX2, and CIX4: All items for the LARGER diameter: One (1) Locking Inner "V" Band (BSI), one (1) Centering Flue Extension (PR-C0794), one (1) 6" insulation band, and one (1) Outer Band (BSE).



Ø (in.)	B	C - Effective Length (in.)	D - Offset (in.)	E (in.)	Product Code				
					SCL (Single Wall)	CAX1 (1" Air Insulated)	CIX1 (1" Insulated)	CIX2 (2" Insulated)	CIX4 (4" Insulated)
From Ø5 to Ø14, diameter increments by 1"	1	10 3/4	1/2	2	SCLØETIN(Ø+B)	CAX1-ØETIN(Ø+B)	CIX1-ØETIN(Ø+B)	CIX2-ØETIN(Ø+B)	CIX4-ØETIN(Ø+B)
	2	12 3/4	1	4					
	3	14 3/4	1 1/2	6					
	4	16 3/4	2	8					
	5	18 3/4	2 1/2	10					
	6	20 3/4	3	12					
From Ø16 to Ø34, diameter increments by 2"	2	12 3/4	1	4	SCLØETIN(Ø+B)	CAX1-ØETIN(Ø+B)	CIX1-ØETIN(Ø+B)	CIX2-ØETIN(Ø+B)	CIX4-ØETIN(Ø+B)
	4	16 3/4	2	8					
	6	20 3/4	3	12					

Material options (Inner-Outer): 304-Galvalume, 304-304, 316-Galvalume, 316-304

Flow resistance: $K = 0.63 [1 - (\frac{\delta}{\delta+B})^2]^2 / (\frac{\delta}{\delta+B})^4$

Connections - Starting Adaptors

Step Increaser Adaptors (INØ)

Used when a pipe diameter change (increasing) is required in a small space.

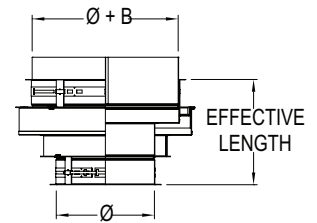
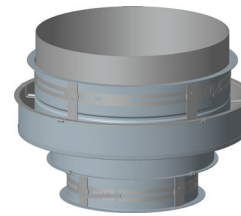
NOTE: Tapered Increasers are preferred over Step Increasers when space permits.

Included:

For SCL: All items for the LARGER diameter: One (1) Locking Inner "V" Band (BSI), one (1) Centering Flue Extension (PR-C0794).

For CAX1: All items for the LARGER diameter: One (1) Locking Inner "V" Band (BSI), one (1) Centering Flue Extension (PR-C0794), and one (1) Outer Band (BSE).

For CIX1, CIX2, and CIX4: All items for the LARGER diameter: One (1) Locking Inner "V" Band (BSI), one (1) Centering Flue Extension (PR-C0794), one (1) 6" insulation band, and one (1) Outer Band (BSE).



Ø (in.)	B	C - Effective Length (in.)	Product Code				
			SCL (Single Wall)	CAX1 (1" Air Insulated)	CIX1 (1" Insulated)	CIX2 (2" Insulated)	CIX4 (4" Insulated)
From Ø5" to Ø14", diameter increments by 1"	1" to 6"	8 5/8	SCLØIN(Ø+B)	CAX1-ØIN(Ø+B)	CIX1-ØIN(Ø+B)	CIX2-ØIN(Ø+B)	CIX4-ØIN(Ø+B)
From Ø16" to Ø34", diameter increments by 2"	2", 4" or 6"						

Material options (Inner-Outer): 304-Galvalume, 304-304, 316-Galvalume, 316-304

Flow resistance: $K = [1 - (\frac{\delta}{\delta+B})]^2$

Tapered Reducer Adaptors (TRDØ)

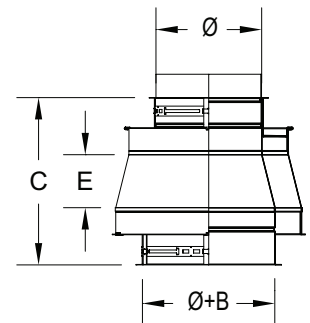
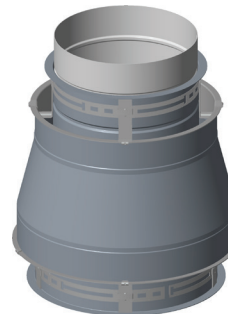
Used when a pipe diameter change (reducing) is required.

Included:

For SCL: All items for the SMALLER diameter: One (1) Locking Inner "V" Band (BSI), one (1) Centering Flue Extension (PR-C0794).

For CAX1: All items for the SMALLER diameter: One (1) Locking Inner "V" Band (BSI), one (1) Centering Flue Extension (PR-C0794), and one (1) Outer Band (BSE).

For CIX1, CIX2, and CIX4: All items for the SMALLER diameter: One (1) Locking Inner "V" Band (BSI), one (1) Centering Flue Extension (PR-C0794), one (1) 6" insulation band, and one (1) Outer Band (BSE).



Ø (in.)	B	C - Effective Length (in.)	E (in.)	Product Code				
				SCL (Single Wall)	CAX1 (1" Air Insulated)	CIX1 (1" Insulated)	CIX2 (2" Insulated)	CIX4 (4" Insulated)
From Ø6" to Ø14", diameter increments by 1"	1	10 3/4	2	SCLØTRD(Ø-B)	CAX1-ØTRD(Ø-B)	CIX1-ØTRD(Ø-B)	CIX2-ØTRD(Ø-B)	CIX4-ØTRD(Ø-B)
	2	12 3/4	4					
	3	14 3/4	6					
	4	16 3/4	8					
	5	18 3/4	10					
	6	20 3/4	12					
From Ø16" to Ø36", diameter increments by 2"	2	12 3/4	4	SCLØTRD(Ø-B)	CAX1-ØTRD(Ø-B)	CIX1-ØTRD(Ø-B)	CIX2-ØTRD(Ø-B)	CIX4-ØTRD(Ø-B)
	4	16 3/4	8					
	6	20 3/4	12					

Material options (Inner-Outer): 304-Galvalume, 304-304, 316-Galvalume, 316-304

Flow resistance: $K = 0.63 [1 - (\frac{\delta}{\delta+B})]^2 / (\frac{\delta}{\delta+B})^4$

Connections - Starting Adaptors

ANSI Flange Adaptors (TRDØ)

Used to attach flue components to a class 125 lb or 150 lb ANSI. Dimensions are per ANSI 125 lb. Nut, Bolts and gasket kit for the ANSI flange are not included.

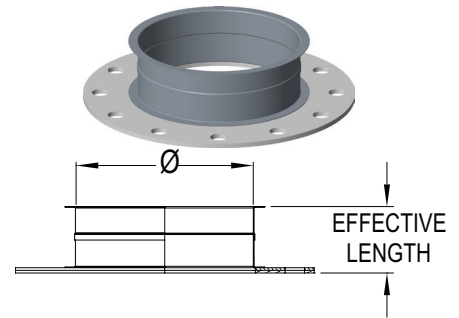
NOTE: For CAX1, CIX1, CIX2, and CIX4, the Outer Band (BSE) works as the outer wall of the adaptor.

Included:

For SCL: One (1) Locking Inner "V" Band (BSI), one (1) Centering Flue Extension (PR-C0794).

For CAX1: One (1) Locking Inner "V" Band (BSI), one (1) Centering Flue Extension (PR-C0794), and one (1) Outer Band (BSE).

For CIX1, CIX2, and CIX4: One (1) Locking Inner "V" Band (BSI), one (1) Centering Flue Extension (PR-C0794), one (1) 6" insulation band, and one (1) Outer Band (BSE).



Ø (in.)	Effective Length (in)	Product Code				
		SCL (Single Wall)	CAX1 (1" Air Insulated)	CIX1 (1" Insulated)	CIX2 (2" Insulated)	CIX4 (4" Insulated)
5" to 36"	3"	SCLØFA	CAX1-ØFA	CIX1-ØFA	CIX2-ØFA	CIX4-ØFA

Material options (Inner): 304, 316

Flow resistance:

Ø5" to Ø16": K = 0.4 (eff. length [ft] / Ø [in])

Ø18" to Ø36": K = 0.3 (eff. length [ft] / Ø [in])

For Engine and Turbine Exhausts,: K = 0.25 (eff. length [ft] / Ø [in])

Single Wall Adaptor (SWA)

Used to attach pipe straight shank outlets.

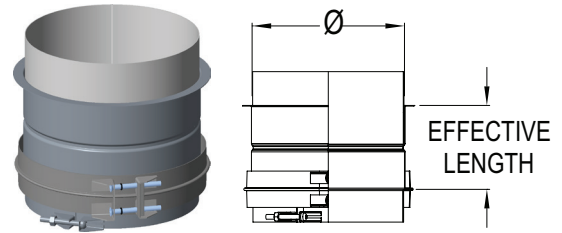
NOTE: For CIX1, CIX2, CIX4, and CAX1, the outerband (BSE) can be used as the outer wall of the adaptor.

Included:

For SCL : One (1) Locking Inner "V" Band (BSI), one (1) Centering Flue Extension (PR-C0794), one (1) Locking Band (BS) and a Retaining Band.

For CAX1: One (1) Locking Inner "V" Band (BSI), one (1) Centering Flue Extension (PR-C0794), one (1) Locking Band (BS), one (1) Retaining Band, and one (1) Outer Band (BSE).

For CIX1, CIX2, and CIX4: One (1) Locking Inner "V" Band (BSI), one (1) Centering Flue Extension (PR-C0794), one (1) Locking Band (BS), one (1) Retaining Band, one (1) 6" insulation band, and one (1) Outer Band (BSE) .



Ø (in.)	Effective Length (in)	Product Code				
		SCL (Single Wall)	CAX1 (1" Air Insulated)	CIX1 (1" Insulated)	CIX2 (2" Insulated)	CIX4 (4" Insulated)
5" to 36"	4 3/8"	SCLØSWA	CAX1-ØSWA	CIX1-ØSWA	CIX2-ØSWA	CIX4-ØSWA

Material options (Inner): 304, 316

Flow resistance:

Ø5" to Ø16": K = 0.4 (eff. length [ft] / Ø [in])

Ø18" to Ø36": K = 0.3 (eff. length [ft] / Ø [in])

For Engine and Turbine Exhausts,: K = 0.25 (eff. length [ft] / Ø [in])

Connections - Starting Adaptors

Single Wall Adaptor with Test port (SWAN)

Used to attach pipe straight shank outlets and has a $\varnothing 1/2" \times 3"$ NPT test port with a cap.

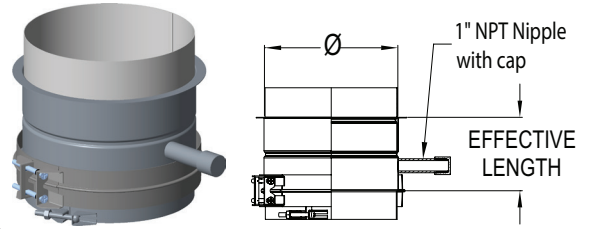
**NOTE: The Outer Band (BSE) can be used as the outer wall of the adaptor.
If the BSE is used, it must be field cut to let the nozzle pass through.**

Included:

For SCL: One (1) Locking Inner "V" Band (BSI), one (1) Centering Flue Extension (PR-C0794), one (1) Locking Band (BS) and a Retaining Band.

For CAX1: One (1) Locking Inner "V" Band (BSI), one (1) Centering Flue Extension (PR-C0794), one (1) Locking Band (BS), one (1) Retaining Band, and one (1) Outer Band (BSE).

For CIX1, CIX2, and CIX4: One (1) Locking Inner "V" Band (BSI), one (1) Centering Flue Extension (PR-C0794), one (1) Locking Band (BS), one (1) Retaining Band, one (1) 6" insulation band, and one (1) Outer Band (BSE).



\varnothing (in.)	Effective Length (in)	Product Code				
		SCL (Single Wall)	CAX1 (1" Air Insulated)	CIX1 (1" Insulated)	CIX2 (2" Insulated)	CIX4 (4" Insulated)
5" to 36"	4 3/8"	SCL \varnothing SWAN	CAX1- \varnothing SWAN	CIX1- \varnothing SWAN	CIX2- \varnothing SWAN	CIX4- \varnothing SWAN

Material options (Inner): 304, 316

Flow resistance:

$\varnothing 5"$ to $\varnothing 16"$: $K = 0.4$ (eff. length [ft] / \varnothing [in])

$\varnothing 18"$ to $\varnothing 36"$: $K = 0.3$ (eff. length [ft] / \varnothing [in])

For Engine and Turbine Exhausts,: $K = 0.25$ (eff. length [ft] / \varnothing [in])

Half Universal Flange (HUF)

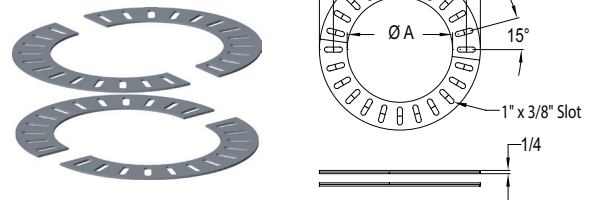
Used to connect a pipe to a boiler or other appliance having a flange outlet with 4, 6, 8, 12, 16, 24, or no bolt pattern.

Included:

For SCL: Four (4) Half Clamp Plates of 1/8" thickness.

For CAX: 1 Four (4) Half Clamp Plates, and two (2) Half Outer Band (DBSE).

For CIX1, CIX2 and CIX4: Four (4) Half Clamp Plates, two (2) Half Outer Band (DBSE), and two (2) 3" insulation band.



\varnothing (in.)	Effective Length (in)	$\varnothing A$ (I.D.) (in)	$\varnothing B$ (B.C.) (in)	$\varnothing C$ (O.D.) (in)	Product Code				
					SCL (Single Wall)	CAX1 (1" Air Insulated)	CIX1 (1" Insulated)	CIX2 (2" Insulated)	CIX4 (4" Insulated)
5" to 36"	0"	$\varnothing + 1/8"$	$\varnothing + 2 1/4"$	$\varnothing + 4 1/4"$	SCL \varnothing HUF	CAX1- \varnothing HUF	CIX1- \varnothing HUF	CIX2- \varnothing HUF	CIX4- \varnothing HUF

Material options (Inner): SS 439 .125"

Connections - Starting Adaptors

Square to Round (STRAB) or Round to Square (RTSAB), where "A" & "B" are the square dimensions

Used to connect a round chimney to a square/rectangular connection and vice versa. The square dimension is designed to be connected by means of lap of weld on the field. These parts are always considered custom parts.

NOTE: ALL DIMENSIONS DATA MUST BE ANALYSED AND APPROVED BY SECURITY CHIMNEYS TECHNICAL SUPPORT BEFORE ORDERING.

Dimensional data to specify :

- the exact size of the outer dimensions of the square or rectangular ("A" x "B") ;
- the diameter of the round end (i.e. the SCL, CAX1, CIX1, CIX2, and CIX4 flue dimension);
- the effective height;
- the flange dimension on the square or rectangular end if not 1 1/2";
- the option of the square flange:
 - Option #1 = a 1" Flue extension on the square/rectangle side,
 - Option #2 = No flue Extension on the square/rectangular side.

NOTE: Standard dimensions will be as follow:

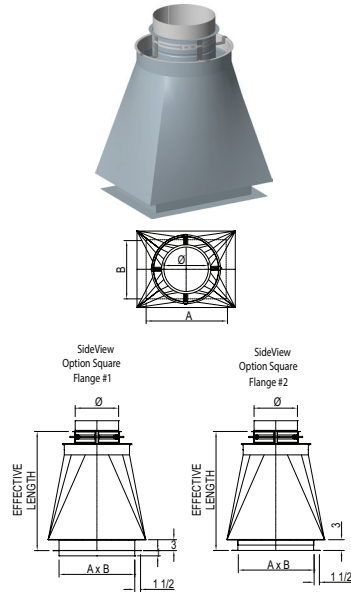
- Option #1
- Effective length = 20"
- 1 1/2" wide flange on the square/rectangular.

Included:

For SCL: One (1) Locking Inner "V" Band (BSI), one (1) Centering Flue Extension (PR-C0794).

For CAX1: One (1) Locking Inner "V" Band (BSI), one (1) Centering Flue Extension (PR-C0794), and one (1) Outer Band (BSE).

For CIX1, CIX2 and CIX4: One(1) Locking Inner "V" Band (BSI), one (1) Centering Flue Extension (PR-C0794), one (1) 6" insulation band, and one (1) Outer Band (BSE).



Ø (in.)	Effective Length (in)	Square Dimensions		Option	Product Code				
		A (in)	B (in)		SCL (Single Wall)	CAX1 (1" Air Insulated)	CIX1 (1" Insulated)	CIX2 (2" Insulated)	CIX4 (4" Insulated)
5" to 36"	20" or Custom	Custom	Custom	#1 or #2	SCLØSTRAB	CAX1-ØSTRAB	CIX1-ØSTRAB	CIX2-ØSTRAB	CIX4-ØSTRAB
					SCLØRTSAB	CAX1-ØRTSAB	CIX1-ØRTSAB	CIX2-ØRTSAB	CIX4-ØRTSAB

Material options (Inner-Outer): 304-Galvalume, 304-304, 316-Galvalume, 316-304

Flow resistance: K = unknown (custom)

Eccentric Square to Round (CUSTOM) or Eccentric Round to Square (CUSTOM), where "A" & "B" are the square dimensions and the "C" and "D" is the offset of the round part.

It is similar to a STR except the round collar is offset from center of the square collar. Same used as the STR, but can have a flat bottom on horizontal runs or provide an offset (C X D). The square dimension is designed to be connected by means of lap of weld on the field.

NOTE: ALL DIMENSIONS DATA MUST BE ANALYSED AND APPROVED BY SECURITY CHIMNEY TECHNICAL SUPPORTS BEFORE ORDERING.

Dimensional data to specify :

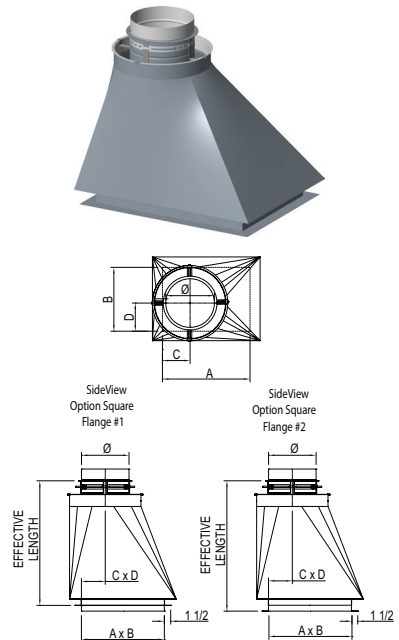
- the exact size of the outer dimensions of the square or rectangular ("A" x "B");
- Specify the offset dimensions "C" x "D" referred to one outer side of the square and the center of the round end;
- the diameter of the round end (i.e. the SCL, CAX PRO or CIX PRO flue dimension);
- the effective height;
- the flange dimension on the square or rectangular end if not 1 1/2";
- the option of the square flange:
 - Option #1 = a 1" Flue extension on the square/rectangle side,
 - Option #2 = No flue Extension on the square/rectangular side.

Included:

For SCL: One (1) Locking Inner "V" Band (BSI), one (1) Centering Flue Extension (PR-C0794).

For CAX1: One (1) Locking Inner "V" Band (BSI), one (1) Centering Flue Extension (PR-C0794), and one (1) Outer Band (BSE).

For CIX1, CIX2 and CIX4: One(1) Locking Inner "V" Band (BSI), one (1) Centering Flue Extension (PR-C0794), one (1) 6" insulation band, and one (1) Outer Band (BSE).



Ø (in.)	Effective Length (in)	Square Dimensions		Offset Dimensions (from the center)		Option	Product Code				
		A (in)	B (in)	C (in)	D (in)		SCL (Single Wall)	CAX1 (1" Air Insulated)	CIX1 (1" Insulated)	CIX2 (2" Insulated)	CIX4 (4" Insulated)
5" to 36"	Custom	Custom	Custom	Custom	Custom	#1 or #2	Custom	Custom	Custom	Custom	Custom
							Custom	Custom	Custom	Custom	Custom

Material options (Inner-Outer): 304-Galvalume, 304-304, 316-Galvalume, 316-304

Flow resistance: K = unknown (custom)

Connections - Starting Adaptors

Fan Adaptor (FAN)

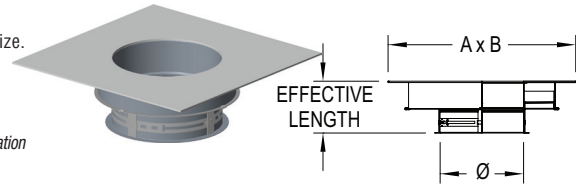
Used to connect to a fan or any kind of device that requires a square plate adapter. Standard square plate size.

Included:

For SCL: One (1) Locking Inner "V" Band (BSI), one (1) Centering Flue Extension (PR-C0794).

For CAX1: One (1) Locking Inner "V" Band (BSI), one (1) Centering Flue Extension (PR-C0794), and one (1) Outer Band (BSE).

For CIX1, CIX2 and CIX4: One (1) Locking Inner "V" Band (BSI), one (1) Centering Flue Extension (PR-C0794), one (1) 6" insulation band, and one (1) Outer Band (BSE).



Ø (in.)	Effective Length (in)	A (in)	B (in)	Product Code				
				SCL (Single Wall)	CAX1 (1" Air Insulated)	CIX1 (1" Insulated)	CIX2 (2" Insulated)	CIX4 (4" Insulated)
5" to 36"	5"	Ø + 12"	Ø + 12"	SCLØFAN	CAX1-ØFAN	CIX1-ØFAN	CIX2-ØFAN	CIX4-ØFAN

Also available custom plate size as custom part. Dimension A and B must be specified.

Material options (Inner-Outer): 304-Galvalume, 304-304, 316-Galvalume, 316-304

Flow resistance:

Ø6" to Ø16": K = 0.4 (eff. length [ft] / Ø [in])

Ø18" to Ø36": K = 0.3 (eff. length [ft] / Ø [in])

For Engine and Turbine Exhausts.: K = 0.25 (eff. length [ft] / Ø [in])

Accessories

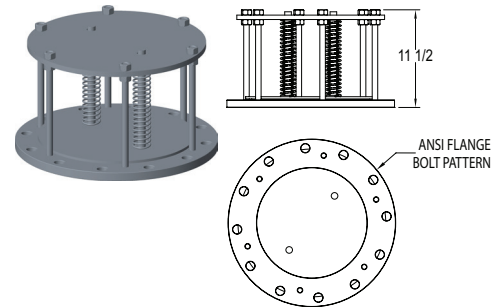
Relief Valve (RV)

For use on all engine exhaust applications. It helps to control the venting pressure when a backfire occurs. Consists of a spring loaded disk valve mounted on an ANSI Flange. Must be used in conjunction with a ANSI Flange adaptor (FA) and a 45° Tee (T45). The nuts, bolts and gasket kit for ANSI are not included (by others).

Included:

For SCL, CAX1, CIX1, CIX2 and CIX4: One (1) Relief Valve (RV) only.

Ø (in.)	Effective Length (in)	Product Code				
		SCL (Single Wall)	CAX1 (1" Air Insulated)	CIX1 (1" Insulated)	CIX2 (2" Insulated)	CIX4 (4" Insulated)
5" to 36"	11 1/2"	SCLØRV	CAX1-ØRV	CIX1-ØRV	CIX2-ØRV	CIX4-ØRV



Damper Length (LxxDAMP)

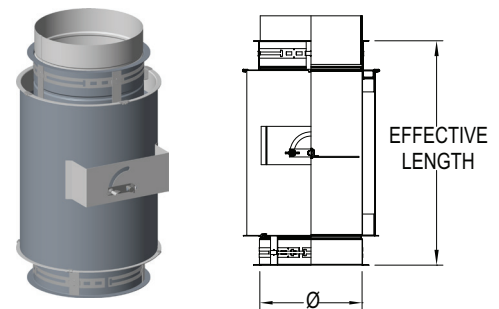
Used to ensure optimum pressures through an appliance. It will aid in the proper operation and efficiency of the appliance by preventing higher than desired draft readings. It has a disc inside the flue. This disc can be controlled and rotated from 0° to 90° manually from the outside of the part by the mean of a rod and bracket.

Included:

For SCL: One (1) Locking Inner "V" Band (BSI), and one (1) Centering Flue Extension (PR-C0794).

For CAX1: One (1) Locking Inner "V" Band (BSI), one (1) Centering Flue Extension (PR-C0794) and one (1) Outer Band (BSE).

For CIX1, CIX2, and CIX4: One (1) Locking Inner "V" Band (BSI), one (1) Centering Flue Extension (PR-C0794), one (1) 6" insulation band, and one (1) Outer Band (BSE).



Ø (in.)	Effective Length (in)	Product Code				
		SCL (Single Wall)	CAX1 (1" Air Insulated)	CIX1 (1" Insulated)	CIX2 (2" Insulated)	CIX4 (4" Insulated)
5" to 12"	11 5/8"	SCLØL12DAMP	CAX1-ØL12DAMP	CIX1-ØL12DAMP	CIX2-ØL12DAMP	CIX4-ØL12DAMP
13" to 18"	17 5/8"	SCLØL18DAMP	CAX1-ØL18DAMP	CIX1-ØL18DAMP	CIX2-ØL18DAMP	CIX4-ØL18DAMP
20" to 24"	24 1/8"	SCLØL24DAMP	CAX1-ØL24DAMP	CIX1-ØL24DAMP	CIX2-ØL24DAMP	CIX4-ØL24DAMP

Material options (Inner-Outer): 304-Galvalume, 304-304, 316-Galvalume, 316-304

Flow resistance:

Ø5" to Ø24": 0 to 9999

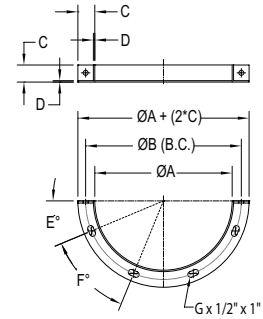
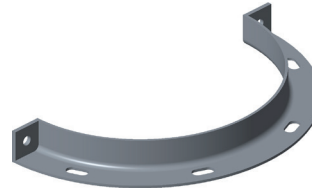
Supports

Half Angle Ring (HAR)

Used for supporting and guiding the chimney on horizontal runs. See installation instructions for spacing. Effective Length = 0"

Included:

For SCL, CAX1, CIX1, CIX2, and CIX4: One (1) Half Angle Ring (HAR) only.
Hardware for connection to structure is not included (by others).



ØA (I.D.) (in)	ØB (B.C.) (in)	C (Total Length) (in)	D (in)	E°	F°	G (# holes per half)	Product Code				
							SCL (Single Wall)	CAX1 (1" Air Insulated)	CIX1 (1" Insulated)	CIX2 (2" Insulated)	CIX4 (4" Insulated)
5 1/16	6 5/16	1	1/8	30	60	3	SCL5HAR	---	---	---	---
6 3/32	7 5/16	1 1/4	1/8	30	60	3	SCL6HAR	---	---	---	---
7 1/8	8 1/2	1 1/4	1/8	30	60	3	SCL7HAR	CAX1-5HAR	CIX1-5HAR	---	---
8 1/8	9 1/2	1 1/4	1/8	30	60	3	SCL8HAR	CAX1-6HAR	CIX1-6HAR	---	---
9 1/8	10 5/8	1 1/4	1/8	30	60	3	SCL9HAR	CAX1-7HAR	CIX1-7HAR	CIX2-5HAR	---
10 1/8	11 1/2	1 1/4	1/8	30	60	3	SCL10HAR	CAX1-8HAR	CIX1-8HAR	CIX2-6HAR	---
11 1/8	12 3/4	1 1/4	1/8	30	60	3	SCL11HAR	CAX1-9HAR	CIX1-9HAR	CIX2-7HAR	---
12 3/16	13 13/16	1 1/2	1/8	22.5	45	4	SCL12HAR	CAX1-10HAR	CIX1-10HAR	CIX2-8HAR	---
13 3/16	15	1 1/2	1/8	22.5	45	4	SCL13HAR	CAX1-11HAR	CIX1-11HAR	CIX2-9HAR	CIX4-5HAR
14 3/16	16	1 1/2	1/8	22.5	45	4	SCL14HAR	CAX1-12HAR	CIX1-12HAR	CIX2-10HAR	CIX4-6HAR
15 3/16	17	1 1/2	1/8	22.5	45	4	---	CAX1-13HAR	CIX1-13HAR	CIX2-11HAR	CIX4-7HAR
16 3/16	18	1 1/2	1/8	22.5	45	4	SCL16HAR	CAX1-14HAR	CIX1-14HAR	CIX2-12HAR	CIX4-8HAR
17 3/16	19	1 1/2	1/8	22.5	45	4	---	---	---	CIX2-13HAR	CIX4-9HAR
18 3/16	19 3/4	1 1/2	1/8	22.5	45	4	SCL18HAR	CAX1-16HAR	CIX1-16HAR	CIX2-14HAR	CIX4-10HAR
19 3/16	20 3/4	1 1/2	1/8	15	30	6	---	---	---	---	CIX4-11HAR
20 3/16	21 3/4	1 1/2	1/8	15	30	6	SCL20HAR	CAX1-18HAR	CIX1-18HAR	CIX2-16HAR	CIX4-12HAR
21 3/16	22 3/4	1 1/2	1/8	15	30	6	---	---	---	---	CIX4-13HAR
22 3/16	23 3/4	1 1/2	1/8	15	30	6	SCL22HAR	CAX1-20HAR	CIX1-20HAR	CIX2-18HAR	CIX4-14HAR
24 3/16	25 3/4	1 1/2	1/8	15	30	6	SCL24HAR	CAX1-22HAR	CIX1-22HAR	CIX2-20HAR	CIX4-16HAR
26 3/16	28 3/8	2	1/8	11.25	22.5	8	SCL26HAR	CAX1-24HAR	CIX1-24HAR	CIX2-22HAR	CIX4-18HAR
28 3/16	30 3/8	2	1/8	11.25	22.5	8	SCL28HAR	CAX1-26HAR	CIX1-26HAR	CIX2-24HAR	CIX4-20HAR
30 3/16	32 3/8	2	1/8	11.25	22.5	8	SCL30HAR	CAX1-28HAR	CIX1-28HAR	CIX2-26HAR	CIX4-22HAR
32 3/16	34 3/8	2	1/8	11.25	22.5	8	SCL32HAR	CAX1-30HAR	CIX1-30HAR	CIX2-28HAR	CIX4-24HAR
34 3/16	36 3/8	2	1/8	11.25	22.5	8	SCL34HAR	CAX1-32HAR	CIX1-32HAR	CIX2-30HAR	CIX4-26HAR
36 3/16	38 3/8	2	1/8	11.25	22.5	8	SCL36HAR	CAX1-34HAR	CIX1-34HAR	CIX2-32HAR	CIX4-28HAR
38 3/16	40 3/8	2	1/8	7.5	15	12	---	CAX1-36HAR	CIX1-36HAR	CIX2-34HAR	CIX4-30HAR
40 3/16	42 3/8	2	1/8	7.5	15	12	---	---	---	CIX2-36HAR	CIX4-32HAR
42 3/16	44 3/8	2	1/8	7.5	15	12	---	---	---	---	CIX4-34HAR
44 3/16	46 3/8	2	1/8	7.5	15	12	---	---	---	---	CIX4-36HAR

Material options (angle): - Ø5 to Ø10 = 304, Ø11 to Ø44 = 439

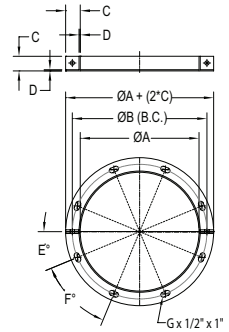
Supports

Full Angle Ring (FAR)

Used for support on horizontal runs or for guiding on vertical runs. See installation instructions for spacing. Effective Length = 0". Same dimensions as the Half Angle Ring (HAR).

Included:

For SCL, CAX1, CIX1, CIX2, and CIX4: Two (2) Half Angle Ring (HAR), and hardware to join both Half Angle Rings. Hardware for connection to structure is not included (by others).



ØA (I.D.) (in)	ØB (B.C.) (in)	C (Total Length) (in)	D (in)	E°	F°	G (#holes per half)	Product Code				
							SCL (Single Wall)	CAX1 (1" Air Insulated)	CIX1 (1" Insulated)	CIX2 (2" Insulated)	CIX4 (4" Insulated)
See HAR	See HAR	See HAR	See HAR	See HAR	See HAR	See HAR	SCLØFAR	CAX1-ØFAR	CIX1-ØFAR	CIX2-ØFAR	CIX4-ØFAR

Material options (angle): - Ø5 to Ø10 = 304, Ø11 to Ø44 = 439

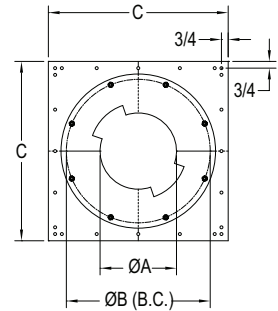
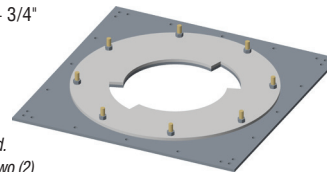
Anchor Plate (AP)

Used for supporting the Chimney in vertical or horizontal runs and to provide a fixed point for thermal expansion consideration. The square opening of the frame must be a minimum of O.D. + 3/4" or a maximum of O.D. + 3 1/4". Effective Length = 0"

Must not be in contact with combustible materials.

Included:

For SCL: Four (4) Split Square plates, four (4) clamps ring, and hardware included.
For CAX1: Four (4) Split Square plates, four (4) clamps ring, two (2) half outer band (DBSE), and hardware included.
For CIX1, CIX2, and CIX4: Four (4) Split Square plates, four (4) clamps ring, two (2) Half Outer Band (DBSE) with two (2) 3" insulation bands, and hardware included.
 Hardware for connection to structure is not included (by others).



Ø (in.)	ØA (I.D.) (in)	SCL (Single Wall) - CAX1 (1" Air Insulated) - CIX1 (1" Wool Insulated)					CIX2 (2" Wool Insulated)			CIX4 (4" Wool Insulated)		
		ØB (B.C.) (in)	C (in)	Product Code			ØB (B.C.) (in)	C (in)	Product Code	ØB (B.C.) (in)	C (in)	Product Code
				SCL (Single Wall)	CAX1 (1" Air Insulated)	CIX1 (1" Insulated)			CIX2 (2" Insulated)			CIX4 (4" Insulated)
5	5 1/2	8 1/2	13	SCL5AP	CAX1-5AP	CIX1-5AP	10 1/2	15	CIX2-5AP	15	19	CIX4-5AP
6	6 1/2	9 1/2	14	SCL6AP	CAX1-6AP	CIX1-6AP	11 1/2	16	CIX2-6AP	16	20	CIX4-6AP
7	7 1/2	10 5/8	15	SCL7AP	CAX1-7AP	CIX1-7AP	13	17	CIX2-7AP	17	21	CIX4-7AP
8	8 1/2	11 1/2	16	SCL8AP	CAX1-8AP	CIX1-8AP	14	18	CIX2-8AP	18	22	CIX4-8AP
9	9 1/2	12 3/4	17	SCL9AP	CAX1-9AP	CIX1-9AP	15	19	CIX2-9AP	1 3/4	23	CIX4-9AP
10	10 1/2	13 13/16	18	SCL10AP	CAX1-10AP	CIX1-10AP	16	20	CIX2-10AP	1 3/4	24	CIX4-10AP
11	11 1/2	15	19	SCL11AP	CAX1-11AP	CIX1-11AP	17	21	CIX2-11AP	1 3/4	25	CIX4-11AP
12	12 1/2	16	20	SCL12AP	CAX1-12AP	CIX1-12AP	18	22	CIX2-12AP	1 3/4	26	CIX4-12AP
13	13 1/2	17	21	SCL13AP	CAX1-13AP	CIX1-13AP	1 3/4	23	CIX2-13AP	1 3/4	27	CIX4-13AP
14	14 1/2	18	22	SCL14AP	CAX1-14AP	CIX1-14AP	1 3/4	24	CIX2-14AP	1 3/4	28	CIX4-14AP
16	16 1/2	19 3/4	24	SCL16AP	CAX1-16AP	CIX1-16AP	1 3/4	26	CIX2-16AP	1 3/4	30	CIX4-16AP
18	18 1/2	21 3/4	26	SCL18AP	CAX1-18AP	CIX1-18AP	1 3/4	28	CIX2-18AP	28 3/8	32	CIX4-18AP
20	20 1/2	23 3/4	28	SCL20AP	CAX1-20AP	CIX1-20AP	1 3/4	30	CIX2-20AP	30 3/8	34	CIX4-20AP
22	22 1/2	25 3/4	30	SCL22AP	CAX1-22AP	CIX1-22AP	28 3/8	32	CIX2-22AP	32 3/8	36	CIX4-22AP
24	24 1/2	28 3/8	32	SCL24AP	CAX1-24AP	CIX1-24AP	30 3/8	34	CIX2-24AP	34 3/8	38	CIX4-24AP
26	26 1/2	30 3/8	34	SCL26AP	CAX1-26AP	CIX1-26AP	32 3/8	36	CIX2-26AP	36 3/8	40	CIX4-26AP
28	28 1/2	32 3/8	36	SCL28AP	CAX1-28AP	CIX1-28AP	34 3/8	38	CIX2-28AP	38 3/8	42	CIX4-28AP
30	30 1/2	34 3/8	38	SCL30AP	CAX1-30AP	CIX1-30AP	36 3/8	40	CIX2-30AP	40 3/8	44	CIX4-30AP
32	32 1/2	36 3/8	40	SCL32AP	CAX1-32AP	CIX1-32AP	38 3/8	42	CIX2-32AP	42 3/8	46	CIX4-32AP
34	34 1/2	38 3/8	42	SCL34AP	CAX1-34AP	CIX1-34AP	40 3/8	44	CIX2-34AP	44 3/8	48	CIX4-34AP
36	36 1/2	40 3/8	44	SCL36AP	CAX1-36AP	CIX1-36AP	42 3/8	46	CIX2-36AP	46 3/8	50	CIX4-36AP

Material options (plates): 439, Galvanized

Supports

Length Anchor Plate (APL)

Used for supporting the duct on vertical or horizontal runs. Cannot be used as fixed supports because the anchor plates are free to move on the longitudinal axis of the length. For thermal expansion consideration and fixed support, use an Anchor Plate (AP). It is a single wall part, but for the Secure Stack Pro Series, use the Outer Band (BSE) as the outer wall. The square opening of the frame must be a minimum of O.D. + 1/2" or a maximum of O.D. + 2 1/4".

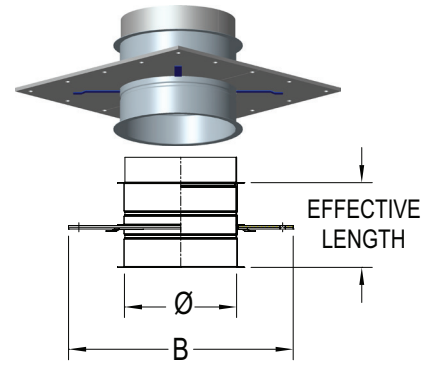
Must not be in contact with combustible materials.

Included:

For SCL: One (1) Locking Inner "V" Band (BSI), and one (1) Centering Flue Extension (PR-C0794).

For CAX1: One (1) Locking Inner "V" Band (BSI), one (1) Centering Flue Extension (PR-C0794,) and one (1) Outer Band (BSE).

For CIX1, CIX2, and CIX4: One (1) Locking Inner "V" Band (BSI), one (1) Centering Flue Extension (PR-C0794), one (1) 6" insulation band, and one (1) Outer Band (BSE).



Ø (in.)	Effective Length (in)	SCL (Single Wall) - CAX1 (1" Air Insulated) - CIX1 (1" Wool Insulated)				CIX2 (2" Wool Insulated)		CIX4 (4" Wool Insulated)	
		B (in)	Product Code			B (in)	Product Code	B (in)	Product Code
			SCL (Single Wall)	CAX1 (1" Air Insulated)	CIX1 (1" Insulated)		CIX2 (2" Insulated)		CIX4 (4" Insulated)
Ø5 to Ø36	6	Ø + 6	SCLØAPL	CAX1-ØAPL	CIX1-ØAPL	Ø + 8	CIX2-ØAPL	Ø + 12	CIX4-ØAPL

Material options (inner): 304, 316

Flow resistance:

Ø5" to Ø16": K = 0.4 (eff. length [ft] / Ø [in])

Ø18" to Ø36": K = 0.3 (eff. length [ft] / Ø [in])

For Engine and Turbine Exhausts,: K = 0.25 (eff. length [ft] / Ø [in])

Supports

Heavy Duty Wall Support (WSHD)

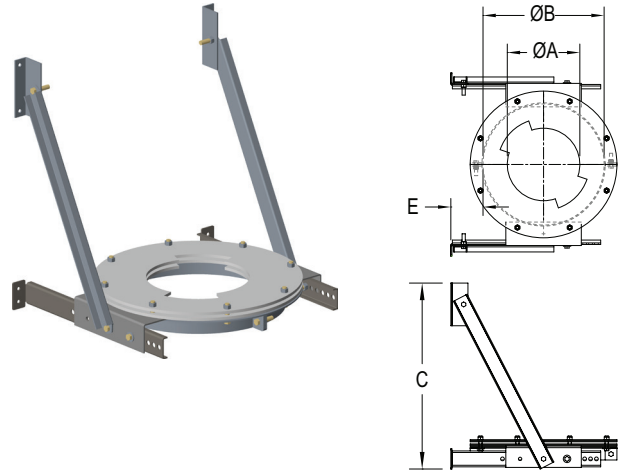
Used for supporting the vent in vertical runs and to provide a fixed point for thermal expansion consideration. It can maintain a clearance to the wall from 1 1/2" to 10" by adjusting the extendable braces. See instruction manual for required specifications. Effective Length = 0".

Included:

For SCL: Four (4) clamps ring, two (2) struts, two (2) adjustable struts, two (2) small wall brackets, two (2) brackets, and hardware included. Hardware for connection to structure are not included (by others).

For CAX1: Four (4) clamps ring, two (2) struts, two (2) adjustable struts, two (2) small wall brackets, two (2) brackets, two (2) Half Outer Band (DBSE), and hardware included. Hardware for connection to structure are not included (by others).

For CIX1, CIX2, and CIX4: Four (4) clamps ring, two (2) struts, two (2) adjustable struts, two (2) small wall brackets, two (2) brackets, two (2) Half Outer Band (DBSE) with two (2) 3" insulation band, and hardware included. Hardware for connection to structure is not included (by others).



ØA - Clamp Dia. (in.)	ØB - Inside FAR Dia. (in.)	SCL (Single Wall) - CAX1 (1" Air Insulated) - CIX1 (1" Wool Insulated)						
		C - Height (in.)		E - Clearance from building to the outer wall (in.)		Product Code		
		MIN	MAX	MIN	MAX	SCL (Single Wall)	CAX1 (1" Air Insulated)	CIX1 (1" Insulated)
5 1/2	7 1/8	13 13/16	19 1/16	1 1/4	10	SCL5WSHD	CAX1-5WSHD	CIX1-5WSHD
6 1/2	8 1/8	14 7/32	19 19/32	1 1/4	10	SCL6WSHD	CAX1-6WSHD	CIX1-6WSHD
7 1/2	9 1/8	14 5/8	20 3/32	1 1/4	10	SCL7WSHD	CAX1-7WSHD	CIX1-7WSHD
8 1/2	10 1/8	15 3/32	20 3/4	1 1/4	10	SCL8WSHD	CAX1-8WSHD	CIX1-8WSHD
9 1/2	11 1/8	15 1/2	21 1/4	1 1/4	10	SCL9WSHD	CAX1-9WSHD	CIX1-9WSHD
10 1/2	12 3/16	15 29/32	21 21/32	1 1/2	10	SCL10WSHD	CAX1-10WSHD	CIX1-10WSHD
11 1/2	13 3/16	16 5/16	22 1/8	1 1/2	10	SCL11WSHD	CAX1-11WSHD	CIX1-11WSHD
12 1/2	14 3/16	16 25/32	22 3/4	1 1/2	10	SCL12WSHD	CAX1-12WSHD	CIX1-12WSHD
13 1/2	15 3/16	17 3/16	23 7/32	1 1/2	10	SCL13WSHD	CAX1-13WSHD	CIX1-13WSHD
14 1/2	16 3/16	17 19/32	23 11/16	1 1/2	10	SCL14WSHD	CAX1-14WSHD	CIX1-14WSHD
16 1/2	18 3/16	18 13/32	24 5/8	1 1/2	10	SCL16WSHD	CAX1-16WSHD	CIX1-16WSHD
18 1/2	20 3/16	19 9/32	25 11/16	1 1/2	10	SCL18WSHD	CAX1-18WSHD	CIX1-18WSHD
20 1/2	22 3/16	20 3/32	26 19/32	1 1/2	10	SCL20WSHD	CAX1-20WSHD	CIX1-20WSHD
22 1/2	24 3/16	20 31/32	27 5/8	1 1/2	10	SCL22WSHD	CAX1-22WSHD	CIX1-22WSHD
24 1/2	26 3/16	21 25/32	28 1/4	2	10	SCL24WSHD	CAX1-24WSHD	CIX1-24WSHD
26 1/2	28 3/16	22 21/32	29 1/4	2	10	SCL26WSHD	CAX1-26WSHD	CIX1-26WSHD
28 1/2	30 3/16	23 15/32	30 1/8	2	10	SCL28WSHD	CAX1-28WSHD	CIX1-28WSHD
30 1/2	32 3/16	24 11/32	31 1/8	2	10	SCL30WSHD	CAX1-30WSHD	CIX1-30WSHD
32 1/2	34 3/16	25 1/8	31 31/32	2	10	SCL32WSHD	CAX1-32WSHD	CIX1-32WSHD
34 1/2	36 3/16	25 15/16	32 13/16	2	10	SCL34WSHD	CAX1-34WSHD	CIX1-34WSHD
36 1/2	38 3/16	26 13/16	33 13/16	2	10	SCL36WSHD	CAX1-36WSHD	CIX1-36WSHD

Material options (plates): 439, Galvanized

Supports

Heavy Duty Wall Support (WSHD) continued

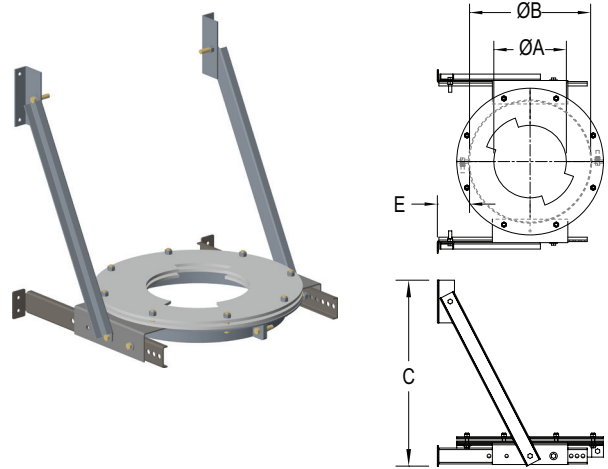
Used for supporting the vent in vertical runs and to provide a fixed point for thermal expansion consideration. It can maintain a clearance to the wall from 1 1/2" to 10" by adjusting the extendable braces. See instruction manual for required specifications. Effective Length = 0".

Included:

For SCL: Four (4) clamps ring, two (2) struts, two (2) adjustable struts, two (2) small wall brackets, two (2) brackets, and hardware included. Hardware for connection to structure are not included (by others).

For CAX1: Four (4) clamps ring, two (2) struts, two (2) adjustable struts, two (2) small wall brackets, two (2) brackets, two (2) Half Outer Band (DBSE), and hardware included. Hardware for connection to structure are not included (by others).

For CIX1, CIX2, and CIX4: Four (4) clamps ring, two (2) struts, two (2) adjustable struts, two (2) small wall brackets, two (2) brackets, two (2) Half Outer Band (DBSE) with two (2) 3" insulation band, and hardware included. Hardware for connection to structure is not included (by others).



ØA - Clamp Dia. (in.)	ØB - Inside FAR Dia. (in.)	CIX2 (2" Wool Insulated)					ØB - Inside FAR Dia. (in.)	CIX4 (4" Wool Insulated)				
		C - Height (in.)		E - Clearance from building to the outer wall (in.)		Product Code		C - Height (in.)		E - Clearance from building to the outer wall (in.)		Product Code
		MIN	MAX	MIN	MAX			CIX2 (2" Insulated)	MIN	MAX	MIN	
5 1/2	9 1/8	14 5/8	20 3/32	1 1/4	10	CIX2-5WSHD	13 3/16	16 5/16	22 1/8	1 1/2	10	CIX4-5WSHD
6 1/2	10 1/8	15 3/32	20 3/4	1 1/4	10	CIX2-6WSHD	14 3/16	16 25/32	22 3/4	1 1/2	10	CIX4-6WSHD
7 1/2	11 1/8	15 1/2	21 1/4	1 1/4	10	CIX2-7WSHD	15 3/16	17 3/16	23 7/32	1 1/2	10	CIX4-7WSHD
8 1/2	12 3/16	15 29/32	21 21/32	1 1/2	10	CIX2-8WSHD	16 3/16	17 19/32	23 11/16	1 1/2	10	CIX4-8WSHD
9 1/2	13 3/16	16 5/16	22 1/8	1 1/2	10	CIX2-9WSHD	17 3/16	18	24 5/32	1 1/2	10	CIX4-9WSHD
10 1/2	14 3/16	16 25/32	22 3/4	1 1/2	10	CIX2-10WSHD	18 3/16	18 13/32	24 5/8	1 1/2	10	CIX4-10WSHD
11 1/2	15 3/16	17 3/16	23 7/32	1 1/2	10	CIX2-11WSHD	19 3/16	18 7/8	25 7/32	1 1/2	10	CIX4-11WSHD
12 1/2	16 3/16	17 19/32	23 11/16	1 1/2	10	CIX2-12WSHD	20 3/16	19 9/32	25 11/16	1 1/2	10	CIX4-12WSHD
13 1/2	17 3/16	18	24 5/32	1 1/2	10	CIX2-13WSHD	21 3/16	19 11/16	26 1/8	1 1/2	10	CIX4-13WSHD
14 1/2	18 3/16	18 13/32	24 5/8	1 1/2	10	CIX2-14WSHD	22 3/16	20 3/32	26 19/32	1 1/2	10	CIX4-14WSHD
16 1/2	20 3/16	19 9/32	25 11/16	1 1/2	10	CIX2-16WSHD	24 3/16	20 31/32	27 5/8	1 1/2	10	CIX4-16WSHD
18 1/2	22 3/16	20 3/32	26 19/32	1 1/2	10	CIX2-18WSHD	26 3/16	21 25/32	28 1/4	2	10	CIX4-18WSHD
20 1/2	24 3/16	20 31/32	27 5/8	1 1/2	10	CIX2-20WSHD	28 3/16	22 21/32	29 1/4	2	10	CIX4-20WSHD
22 1/2	26 3/16	21 25/32	28 1/4	2	10	CIX2-22WSHD	30 3/16	23 15/32	30 1/8	2	10	CIX4-22WSHD
24 1/2	28 3/16	22 21/32	29 1/4	2	10	CIX2-24WSHD	32 3/16	24 11/32	31 1/8	2	10	CIX4-24WSHD
26 1/2	30 3/16	23 15/32	30 1/8	2	10	CIX2-26WSHD	34 3/16	25 1/8	31 31/32	2	10	CIX4-26WSHD
28 1/2	32 3/16	24 11/32	31 1/8	2	10	CIX2-28WSHD	36 3/16	25 15/16	32 13/16	2	10	CIX4-28WSHD
30 1/2	34 3/16	25 1/8	31 31/32	2	10	CIX2-30WSHD	38 3/16	26 13/16	33 13/16	2	10	CIX4-30WSHD
32 1/2	36 3/16	25 15/16	32 13/16	2	10	CIX2-32WSHD	40 3/16	27 5/8	34 21/32	2	10	CIX4-32WSHD
34 1/2	38 3/16	26 13/16	33 13/16	2	10	CIX2-34WSHD	42 3/16	28 1/2	35 5/8	2	10	CIX4-34WSHD
36 1/2	40 3/16	27 5/8	34 21/32	2	10	CIX2-36WSHD	44 3/16	29 5/16	36 15/32	2	10	CIX4-36WSHD

Material options (plates): 439, Galvanized

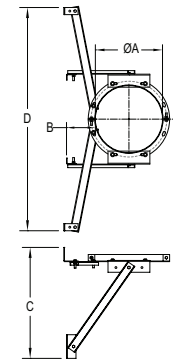
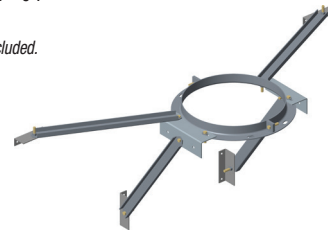
Supports

Heavy Duty Wall Guide (WGHD)

Used for guiding in vertical installation attached to the wall. It can maintain a clearance to the outer wall from 2 1/2" to 10" by adjusting the braces. See instruction manual for required specifications. Effective Length = 0".

Included:

For SCL, CAX1, CIX1, CIX2, and CIX4: One (1) Full Angle Ring (FAR), four (4) struts, four (4) wall brackets, and hardware included.
Hardware for connection to structure is not included (by others).



ØA (I.D. of HAR) (in)	ØB - Clearance		C - Total Length		D Total Width (in)		Product Code				
	MIN (in)	MAX (in)	MIN (in)	MAX (in)	MIN (in)	MAX (in)	SCL (Single Wall)	CAX1 (1" Air Insulated)	CIX1 (1" Insulated)	CIX2 (2" Insulated)	CIX4 (4" Insulated)
5 1/16	2	10	13 5/16	18 5/32	28 15/16	38 3/4	SCL5WGHD	---	---	---	---
6 3/32	2	10	13 23/32	18 11/16	30 9/16	40 11/16	SCL6WGHD	---	---	---	---
7 1/8	2	10	14 1/8	19 3/16	32 5/16	42 3/4	SCL7WGHD	CAX1-5WGHD	CIX1-5WGHD	---	---
8 1/8	2	10	14 17/32	19 11/16	33 15/16	44 5/8	SCL8WGHD	CAX1-6WGHD	CIX1-6WGHD	---	---
9 1/8	2	10	14 15/16	20 3/16	35 5/8	46 9/16	SCL9WGHD	CAX1-7WGHD	CIX1-7WGHD	CIX2-5WGHD	---
10 1/8	2	10	15 13/32	20 13/16	37 9/16	48 9/16	SCL10WGHD	CAX1-8WGHD	CIX1-8WGHD	CIX2-6WGHD	---
11 1/8	2	10	15 13/16	21 5/16	39 7/16	50 11/16	SCL11WGHD	CAX1-9WGHD	CIX1-9WGHD	CIX2-7WGHD	---
12 3/16	2	10	16 7/32	21 25/32	47 1/8	54 7/8	SCL12WGHD	CAX1-10WGHD	CIX1-10WGHD	CIX2-8WGHD	---
13 3/16	2	10	16 5/8	22 1/4	49 3/8	57 1/8	SCL13WGHD	CAX1-11WGHD	CIX1-11WGHD	CIX2-9WGHD	CIX4-5WGHD
14 3/16	2	10	17 3/32	22 27/32	51 3/4	59 1/2	SCL14WGHD	CAX1-12WGHD	CIX1-12WGHD	CIX2-10WGHD	CIX4-6WGHD
15 3/16	2	10	17 1/2	23 5/16	53 3/4	61 1/2	---	CAX1-13WGHD	CIX1-13WGHD	CIX2-11WGHD	CIX4-7WGHD
16 3/16	2	10	17 29/32	23 25/32	55 3/4	63 9/16	SCL16WGHD	CAX1-14WGHD	CIX1-14WGHD	CIX2-12WGHD	CIX4-8WGHD
17 3/16	2	10	18 5/16	24 1/4	57 13/16	65 5/8	---	---	---	CIX2-13WGHD	CIX4-9WGHD
18 3/16	2	10	18 23/32	24 23/32	59 1/2	67 7/16	SCL18WGHD	CAX1-16WGHD	CIX1-16WGHD	CIX2-14WGHD	CIX4-10WGHD
19 3/16	2	10	19 3/16	25 5/16	60 11/16	69 7/8	---	---	---	---	CIX4-11WGHD
20 3/16	2	10	19 19/32	25 3/4	62 5/8	71 7/8	SCL20WGHD	CAX1-18WGHD	CIX1-18WGHD	CIX2-16WGHD	CIX4-12WGHD
21 3/16	2	10	20	26 3/16	64 5/8	73 15/16	---	---	---	---	CIX4-13WGHD
22 3/16	2	10	20 13/32	26 21/32	66 9/16	75 15/16	SCL22WGHD	CAX1-20WGHD	CIX1-20WGHD	CIX2-18WGHD	CIX4-14WGHD
24 3/16	2	10	21 9/32	27 11/16	70 7/8	80 1/4	SCL24WGHD	CAX1-22WGHD	CIX1-22WGHD	CIX2-20WGHD	CIX4-16WGHD
26 3/16	2 1/2	10	22 3/32	28 9/32	74 5/16	84 3/16	SCL26WGHD	CAX1-24WGHD	CIX1-24WGHD	CIX2-22WGHD	CIX4-18WGHD
28 3/16	2 1/2	10	22 31/32	29 9/32	78 5/8	88 1/2	SCL28WGHD	CAX1-26WGHD	CIX1-26WGHD	CIX2-24WGHD	CIX4-20WGHD
30 3/16	2 1/2	10	23 25/32	30 1/8	82 1/2	92 7/16	SCL30WGHD	CAX1-28WGHD	CIX1-28WGHD	CIX2-26WGHD	CIX4-22WGHD
32 3/16	2 1/2	10	24 21/32	31 1/8	86 5/8	96 5/8	SCL32WGHD	CAX1-30WGHD	CIX1-30WGHD	CIX2-28WGHD	CIX4-24WGHD
34 3/16	2 1/2	10	25 7/16	31 31/32	90 5/8	100 11/16	SCL34WGHD	CAX1-32WGHD	CIX1-32WGHD	CIX2-30WGHD	CIX4-26WGHD
36 3/16	2 1/2	10	26 1/4	32 13/16	94 7/16	104 9/16	SCL36WGHD	CAX1-34WGHD	CIX1-34WGHD	CIX2-32WGHD	CIX4-28WGHD
38 3/16	2 1/2	10	27 1/8	33 25/32	96 5/8	107 13/16	---	CAX1-36WGHD	CIX1-36WGHD	CIX2-34WGHD	CIX4-30WGHD
40 3/16	2 1/2	10	27 15/16	34 5/8	100 7/16	111 11/16	---	---	---	CIX2-36WGHD	CIX4-32WGHD
42 3/16	2 1/2	10	28 13/16	35 19/32	104 5/8	115 7/8	---	---	---	---	CIX4-34WGHD
44 3/16	2 1/2	10	29 5/8	36 13/32	108 3/8	119 3/4	---	---	---	---	CIX4-36WGHD

Material options (Struts): 439, Galvanized

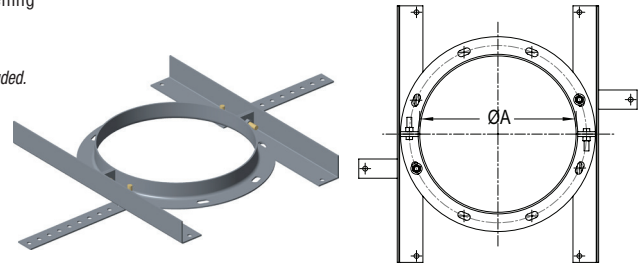
Supports

Heavy Duty Floor Guide

Used for guiding in vertical installation when passing through a floor or roof. Maximum square opening dimensions is duct I.D. + 4". Must not be in contact with combustible. Effective Length = 0".

Included:

For SCL, CAX1, CIX1, CIX2, and CIX4: One (1) Full Angle Ring (FAR), two (2) struts, two (2) straps, and hardware included. Hardware for connection to structure is not included (by others).



ØA (I.D. of HAR) (in)	Product Code				
	SCL (Single Wall)	CAX1 (1" Air Insulated)	CIX1 (1" Insulated)	CIX2 (2" Insulated)	CIX4 (4" Insulated)
5 1/16	SCL5FGHD	---	---	---	---
6 3/32	SCL6FGHD	---	---	---	---
7 1/8	SCL7FGHD	CAX1-5FGHD	CIX1-5FGHD	---	---
8 1/8	SCL8FGHD	CAX1-6FGHD	CIX1-6FGHD	---	---
9 1/8	SCL9FGHD	CAX1-7FGHD	CIX1-7FGHD	CIX2-5FGHD	---
10 1/8	SCL10FGHD	CAX1-8FGHD	CIX1-8FGHD	CIX2-6FGHD	---
11 1/8	SCL11FGHD	CAX1-9FGHD	CIX1-9FGHD	CIX2-7FGHD	---
12 3/16	SCL12FGHD	CAX1-10FGHD	CIX1-10FGHD	CIX2-8FGHD	---
13 3/16	SCL13FGHD	CAX1-11FGHD	CIX1-11FGHD	CIX2-9FGHD	CIX4-5FGHD
14 3/16	SCL14FGHD	CAX1-12FGHD	CIX1-12FGHD	CIX2-10FGHD	CIX4-6FGHD
15 3/16	---	CAX1-13FGHD	CIX1-13FGHD	CIX2-11FGHD	CIX4-7FGHD
16 3/16	SCL16FGHD	CAX1-14FGHD	CIX1-14FGHD	CIX2-12FGHD	CIX4-8FGHD
17 3/16	---	---	---	CIX2-13FGHD	CIX4-9FGHD
18 3/16	SCL18FGHD	CAX1-16FGHD	CIX1-16FGHD	CIX2-14FGHD	CIX4-10FGHD
19 3/16	---	---	---	---	CIX4-11FGHD
20 3/16	SCL20FGHD	CAX1-18FGHD	CIX1-18FGHD	CIX2-16FGHD	CIX4-12FGHD
21 3/16	---	---	---	---	CIX4-13FGHD
22 3/16	SCL22FGHD	CAX1-20FGHD	CIX1-20FGHD	CIX2-18FGHD	CIX4-14FGHD
24 3/16	SCL24FGHD	CAX1-22FGHD	CIX1-22FGHD	CIX2-20FGHD	CIX4-16FGHD
26 3/16	SCL26FGHD	CAX1-24FGHD	CIX1-24FGHD	CIX2-22FGHD	CIX4-18FGHD
28 3/16	SCL28FGHD	CAX1-26FGHD	CIX1-26FGHD	CIX2-24FGHD	CIX4-20FGHD
30 3/16	SCL30FGHD	CAX1-28FGHD	CIX1-28FGHD	CIX2-26FGHD	CIX4-22FGHD
32 3/16	SCL32FGHD	CAX1-30FGHD	CIX1-30FGHD	CIX2-28FGHD	CIX4-24FGHD
34 3/16	SCL34FGHD	CAX1-32FGHD	CIX1-32FGHD	CIX2-30FGHD	CIX4-26FGHD
36 3/16	SCL36FGHD	CAX1-34FGHD	CIX1-34FGHD	CIX2-32FGHD	CIX4-28FGHD
38 3/16	---	CAX1-36FGHD	CIX1-36FGHD	CIX2-34FGHD	CIX4-30FGHD
40 3/16	---	---	---	CIX2-36FGHD	CIX4-32FGHD
42 3/16	---	---	---	---	CIX4-34FGHD
44 3/16	---	---	---	---	CIX4-36FGHD

Material options (Struts): Galvanized

Supports / Thimbles

Guy Ring (GR)

Used for attaching guys to the chimney stack. The Clamp rings have holes at 30° apart (12 holes). It is installed at the flange to flange joint of two sections of pipe. See installation instructions for correct location. Tensioners or anchors not included (by others). Effective Length = 0".

Included:

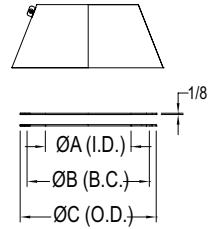
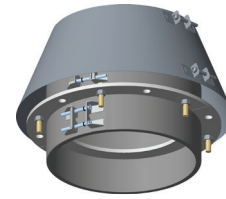
For SCL: Four (4) half Clamp Ring, one (1) Storm Collar (SC), and hardware included.

For CAX1: Four (4) half Clamp Ring, one (1) Storm Collar (SC), two (2) half outer band (DBSE), and hardware included.

For CIX1, CIX2 and CIX4: Four (4) half Clamp Ring, one (1) Storm Collar (SC), two (2) half outer band (DBSE) with two (2) 3" insulation band, and hardware included.

Tensioners, anchors and hardware for connection to structure are not included (by others).

For CIX1, CIX2 and CIX4: One (1) Locking Inner "V" Band (BSI), one (1) collar kit on the inner liner with a special locking band (BS), two half casing, insulation pad, and hardware.



Ø (in.)	ØA (I.D.) (in.)	SCL (Single Wall)			CAX1 (1" Air Insulated) - CIX1 (1" Wool Insulated)				CIX2 (2" Wool Insulated)			CIX4 (4" Wool Insulated)		
		ØB (B.C.) (in)	ØC (O.D.) (in)	Product Code	ØB (B.C.) (in)	ØC (O.D.) (in)	Product Code		ØB (B.C.) (in)	ØC (O.D.) (in)	Product Code	ØB (B.C.) (in)	ØC (O.D.) (in)	Product Code
							CAX1 (1" Air Insulated)	CIX1 (1" Wool Insulated)						
Ø5 to Ø36	Ø + 1/2	Ø + 1 5/8	Ø + 3 1/2	SCL-ØGR	Ø + 3 5/8	Ø + 5 1/2	CAX1-5GR	CIX1-ØGR	Ø + 5 5/8	Ø + 7 1/2	CIX2-ØGR	Ø + 9 5/8	Ø + 11 1/2	CIX4-ØGR

Material options (plates): Galvanized

Thimbles

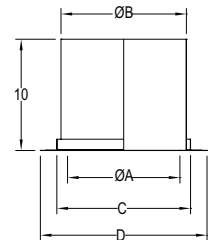
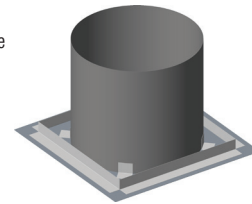
Roof/Floor Thimble (RT)

Used when pipe passes through a combustible roof / floor structure to reduce clearances to combustibles. The RT allows for pipe expansion and contraction the roof. See installation instructions for hole opening for the right clearance of each diameter and other specifications. Effective Length = 0".

NOTE: NOT AVAILABLE FOR MODEL SCL

Included:

For CAX1, CIX1, CIX2, and CIX4: One (1) Roof / Floor Thimble only



Ø (in.)	Total Length (in.)	CAX1 (1" Air Insulated)					CIX1 (1" Wool Insulated)				
		ØA - Plate's Hole (in.)	ØB - Wall (in)	C - Roof Square opening dimensions (in)	D - Square Plate dimension (in)	Product Code	ØA - Plate's Hole (in.)	ØB - Wall (in)	C - Roof Square opening dimensions (in)	D - Square Plate dimension (in)	Product Code
5	10	8 1/4	12 1/4	15	18	CAX1-5RT	8 1/4	8 1/2	9	12	CIX1-5RT
6		9 1/4	13 1/4	16	19	CAX1-6RT	9 1/4	9 1/2	10	13	CIX1-6RT
7		10 1/4	15 1/4	19	22	CAX1-7RT	10 1/4	12 1/4	13	16	CIX1-7RT
8		11 1/4	16 1/4	20	23	CAX1-8RT	11 1/4	13 1/4	14	17	CIX1-8RT
9		12 1/4	17 1/4	21	24	CAX1-9RT	12 1/4	14 1/4	15	18	CIX1-9RT
10		13 1/4	18 1/4	22	25	CAX1-10RT	13 1/4	15 1/4	16	19	CIX1-10RT
11		14 1/4	19 1/4	23	26	CAX1-11RT	14 1/4	16 1/4	17	20	CIX1-11RT
12		15 1/4	20 1/4	24	27	CAX1-12RT	15 1/4	17 1/4	18	21	CIX1-12RT
13		16 1/4	21 1/4	25	28	CAX1-13RT	16 1/4	18 1/4	19	22	CIX1-13RT
14		17 1/4	22 1/4	26	29	CAX1-14RT	17 1/4	19 1/4	20	23	CIX1-14RT
16		19 1/4	25 1/4	30	33	CAX1-16RT	19 1/4	22 1/4	24	27	CIX1-16RT
18		21 1/4	27 1/4	32	35	CAX1-18RT	21 1/4	24 1/4	26	29	CIX1-18RT
20		23 1/4	29 1/4	34	37	CAX1-20RT	23 1/4	26 1/4	28	31	CIX1-20RT
22		25 1/4	31 1/4	36	39	CAX1-22RT	25 1/4	28 1/4	30	33	CIX1-22RT
24		27 1/4	34 1/4	40	43	CAX1-24RT	27 1/4	31 1/4	34	37	CIX1-24RT
26		29 1/4	36 1/4	42	45	CAX1-26RT	29 1/4	33 1/4	36	39	CIX1-26RT
28		31 1/4	38 1/4	44	47	CAX1-28RT	31 1/4	35 1/4	38	41	CIX1-28RT
30		33 1/4	40 1/4	46	49	CAX1-30RT	33 1/4	37 1/4	40	43	CIX1-30RT
32		35 1/4	43 1/4	50	53	CAX1-32RT	35 1/4	40 1/4	44	47	CIX1-32RT
34		37 1/4	45 1/4	52	55	CAX1-34RT	37 1/4	42 1/4	46	49	CIX1-34RT
36	39 1/4	47 1/4	54	57	CAX1-36RT	39 1/4	44 1/4	48	51	CIX1-36RT	

Thimbles

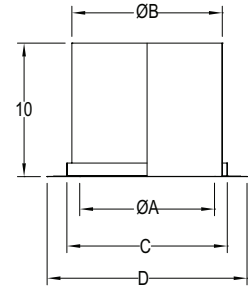
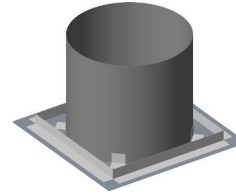
Roof/Floor Thimble (RT) continued

Used when pipe passes through a combustible roof / floor structure to reduce clearances to combustibles. The RT allows for pipe expansion and contraction the roof. See installation instructions for hole opening for the right clearance of each diameter and other specifications. Effective Length = 0".

NOTE: NOT AVAILABLE FOR MODEL SCL

Included:

For CAX1, CIX1, CIX2, and CIX4: One (1) Roof / Floor Thimble only



Ø (in.)	Total Length (in.)	CIX2 (2" Wool Insulated)				Product Code	CIX4 (4" Wool Insulated)				Product Code
		ØA - Plate's Hole (in.)	ØB - Wall (in)	C - Roof Square opening dimensions (in)	D - Square Plate dimension (in)		ØA - Plate's Hole (in.)	ØB - Wall (in)	C - Roof Square opening dimensions (in)	D - Square Plate dimension (in)	
5	10	10 1/4	10 1/2	11	14	CIX2-5RT	14 1/4	14 1/2	15	18	CIX4-5RT
6		11 1/4	11 1/2	12	15	CIX2-6RT	15 1/4	15 1/2	16	19	CIX4-6RT
7		12 1/4	12 1/2	13	16	CIX2-7RT	16 1/4	16 1/2	17	20	CIX4-7RT
8		13 1/4	13 1/2	14	17	CIX2-8RT	17 1/4	17 1/2	18	21	CIX4-8RT
9		14 1/4	14 1/2	15	18	CIX2-9RT	18 1/4	18 1/2	19	22	CIX4-9RT
10		15 1/4	15 1/2	16	19	CIX2-10RT	19 1/4	19 1/2	20	23	CIX4-10RT
11		16 1/4	16 1/2	17	20	CIX2-11RT	20 1/4	20 1/2	21	24	CIX4-11RT
12		17 1/4	17 1/2	18	21	CIX2-12RT	21 1/4	21 1/2	22	25	CIX4-12RT
13		18 1/4	18 1/2	19	22	CIX2-13RT	22 1/4	22 1/2	23	26	CIX4-13RT
14		19 1/4	19 1/2	20	23	CIX2-14RT	23 1/4	23 1/2	24	27	CIX4-14RT
16		21 1/4	23 1/4	24	27	CIX2-16RT	25 1/4	27 1/4	28	31	CIX4-16RT
18		23 1/4	25 1/4	26	29	CIX2-18RT	27 1/4	29 1/4	30	33	CIX4-18RT
20		25 1/4	27 1/4	28	31	CIX2-20RT	29 1/4	31 1/4	32	35	CIX4-20RT
22		27 1/4	29 1/4	30	33	CIX2-22RT	31 1/4	33 1/4	34	37	CIX4-22RT
24		29 1/4	31 1/4	32	35	CIX2-24RT	33 1/4	35 1/4	36	39	CIX4-24RT
26		31 1/4	33 1/4	34	37	CIX2-26RT	35 1/4	37 1/4	38	41	CIX4-26RT
28		33 1/4	35 1/4	36	39	CIX2-28RT	37 1/4	39 1/4	40	43	CIX4-28RT
30		35 1/4	37 1/4	38	41	CIX2-30RT	39 1/4	41 1/4	42	45	CIX4-30RT
32	37 1/4	40 1/4	42	45	CIX2-32RT	41 1/4	44 1/4	46	49	CIX4-32RT	
34	39 1/4	42 1/4	44	47	CIX2-34RT	43 1/4	46 1/4	48	51	CIX4-34RT	
36	41 1/4	44 1/4	46	49	CIX2-36RT	45 1/4	48 1/4	50	53	CIX4-36RT	

Material options (all): Galvalume

Thimbles

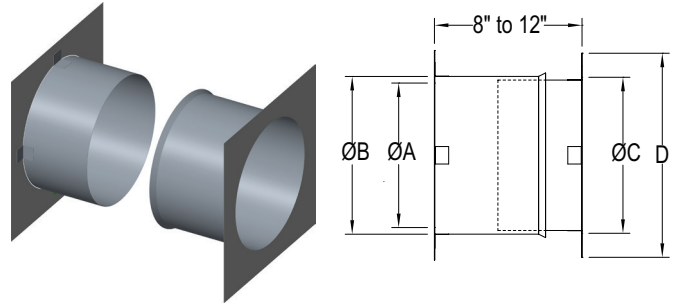
Wall Thimble (WT)

Used when pipe passes through a combustible wall structure to reduce clearances to combustibles. The WT allows for pipe expansion and contraction of the roof. The part consists of a wall thimble female half and a male wall thimble half that slide in each other to adjust wall thickness from 8" to 12". See installation instructions for hole opening for the right clearance for each models and other specifications. Effective Length = 0".

NOTE: NOT AVAILABLE FOR MODEL SCL

Included:

For CAX1, CIX1, CIX2, and CIX4: One (1) wall thimble female half, and one (1) wall thimble male half.



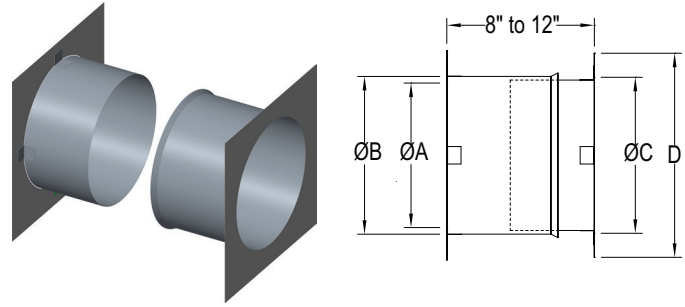
Ø (in.)	Total Length (in.)	CAX1 (1" Air Insulated)					CIX1 (1" Wool Insulated)				
		ØA - Plate's Hole (in.)	ØB - Female Wall (in)	C - Male Wall (in)	D - Square Plate dimension (in)	Product Code	ØA - Plate's Hole (in.)	ØB - Female Wall (in)	C - Male Wall (in)	D - Square Plate dimension (in)	Product Code
5	8" to 12"	8 1/4	11	10 29/32	18	CAX1-5WT	8 1/4	8 1/2	8 13/32	12	CIX1-5WT
6		9 1/4	12	11 29/32	19	CAX1-6WT	9 1/4	9 1/2	9 13/32	13	CIX1-6WT
7		10 1/4	14	13 29/32	22	CAX1-7WT	10 1/4	11	10 29/32	16	CIX1-7WT
8		11 1/4	15	14 29/32	23	CAX1-8WT	11 1/4	12	11 29/32	17	CIX1-8WT
9		12 1/4	16	15 29/32	24	CAX1-9WT	12 1/4	13	12 29/32	18	CIX1-9WT
10		13 1/4	17	16 29/32	25	CAX1-10WT	13 1/4	14	13 29/32	19	CIX1-10WT
11		14 1/4	18	17 29/32	26	CAX1-11WT	14 1/4	15	14 29/32	20	CIX1-11WT
12		15 1/4	19	18 29/32	27	CAX1-12WT	15 1/4	16	15 29/32	21	CIX1-12WT
13		16 1/4	20	19 29/32	28	CAX1-13WT	16 1/4	17	16 29/32	22	CIX1-13WT
14		17 1/4	21	20 29/32	29	CAX1-14WT	17 1/4	18	17 29/32	23	CIX1-14WT
16		19 1/4	24	23 29/32	33	CAX1-16WT	19 1/4	21	20 29/32	27	CIX1-16WT
18		21 1/4	26	25 29/32	35	CAX1-18WT	21 1/4	23	22 29/32	29	CIX1-18WT
20		23 1/4	28	27 29/32	37	CAX1-20WT	23 1/4	25	24 29/32	31	CIX1-20WT
22		25 1/4	30	29 29/32	39	CAX1-22WT	25 1/4	27	26 29/32	33	CIX1-22WT
24		27 1/4	33	32 29/32	43	CAX1-24WT	27 1/4	30	29 29/32	37	CIX1-24WT
26		29 1/4	35	34 29/32	45	CAX1-26WT	29 1/4	32	31 29/32	39	CIX1-26WT
28		31 1/4	37	36 29/32	47	CAX1-28WT	31 1/4	34	33 29/32	41	CIX1-28WT
30		33 1/4	39	38 29/32	49	CAX1-30WT	33 1/4	36	35 29/32	43	CIX1-30WT
32	35 1/4	42	41 29/32	53	CAX1-32WT	35 1/4	39	38 29/32	47	CIX1-32WT	
34	37 1/4	44	43 29/32	55	CAX1-34WT	37 1/4	41	40 29/32	49	CIX1-34WT	
36	39 1/4	46	45 29/32	57	CAX1-36WT	39 1/4	43	42 29/32	51	CIX1-36WT	

Material options (all): Galvalume

Thimbles

Wall Thimble (WT) continued

Used when pipe passes through a combustible wall structure to reduce clearances to combustibles. The WT allows for pipe expansion and contraction of the roof. The part consists of a wall thimble female half and a male wall thimble half that slide in each other to adjust wall thickness from 8" to 12". See installation instructions for hole opening for the right clearance for each models and other specifications. Effective Length = 0".



NOTE: NOT AVAILABLE FOR MODEL SCL

Included:

For CAX1, CIX1, CIX2, and CIX4: One (1) wall thimble female half, and one (1) wall thimble male half.

Ø (in.)	Total Length (in.)	CIX2 (2" Wool Insulated)				CIX4 (4" Wool Insulated)					
		ØA - Plate's Hole (in.)	ØB - Female Wall (in.)	C - Male Wall (in.)	D - Square Plate dimension (in.)	Product Code	ØA - Plate's Hole (in.)	ØB - Female Wall (in.)	C - Male Wall (in.)	D - Square Plate dimension (in.)	Product Code
5	8" to 12"	10 1/4	10 1/4	10 5/32	14	CIX2-5WT	14 1/4	14 1/4	14 5/32	18	CIX4-5WT
6		11 1/4	11 1/4	11 5/32	15	CIX2-6WT	15 1/4	15 1/4	15 5/32	19	CIX4-6WT
7		12 1/4	12 1/4	12 5/32	16	CIX2-7WT	16 1/4	16 1/4	16 5/32	20	CIX4-7WT
8		13 1/4	13 1/4	13 5/32	17	CIX2-8WT	17 1/4	17 1/4	17 5/32	21	CIX4-8WT
9		14 1/4	14 1/4	14 5/32	18	CIX2-9WT	18 1/4	18 1/4	18 5/32	22	CIX4-9WT
10		15 1/4	15 1/4	15 5/32	19	CIX2-10WT	19 1/4	19 1/4	19 5/32	23	CIX4-10WT
11		16 1/4	16 1/4	16 5/32	20	CIX2-11WT	20 1/4	20 1/4	20 5/32	24	CIX4-11WT
12		17 1/4	17 1/4	17 5/32	21	CIX2-12WT	21 1/4	21 1/4	21 5/32	25	CIX4-12WT
13		18 1/4	18 1/4	18 5/32	22	CIX2-13WT	22 1/4	22 1/4	22 5/32	26	CIX4-13WT
14		19 1/4	19 1/4	19 5/32	23	CIX2-14WT	23 1/4	23 1/4	23 5/32	27	CIX4-14WT
16		21 1/4	22	21 29/32	27	CIX2-16WT	25 1/4	26	25 29/32	31	CIX4-16WT
18		23 1/4	24	23 29/32	29	CIX2-18WT	27 1/4	28	27 29/32	33	CIX4-18WT
20		25 1/4	26	25 29/32	31	CIX2-20WT	29 1/4	30	29 29/32	35	CIX4-20WT
22		27 1/4	28	27 29/32	33	CIX2-22WT	31 1/4	32	31 29/32	37	CIX4-22WT
24		29 1/4	30	29 29/32	35	CIX2-24WT	33 1/4	34	33 29/32	39	CIX4-24WT
26		31 1/4	32	31 29/32	37	CIX2-26WT	35 1/4	36	35 29/32	41	CIX4-26WT
28		33 1/4	34	33 29/32	39	CIX2-28WT	37 1/4	38	37 29/32	43	CIX4-28WT
30		35 1/4	36	35 29/32	41	CIX2-30WT	39 1/4	40	39 29/32	45	CIX4-30WT
32	37 1/4	39	38 29/32	45	CIX2-32WT	41 1/4	43	42 29/32	49	CIX4-32WT	
34	39 1/4	41	40 29/32	47	CIX2-34WT	43 1/4	45	44 29/32	51	CIX4-34WT	
36	41 1/4	43	42 29/32	49	CIX2-36WT	45 1/4	47	46 29/32	53	CIX4-36WT	

Material options (all): Galvalume

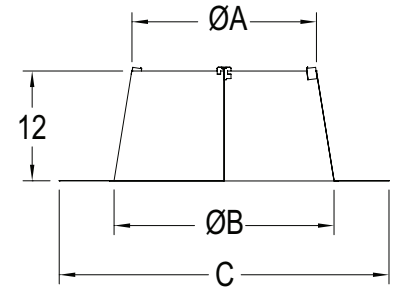
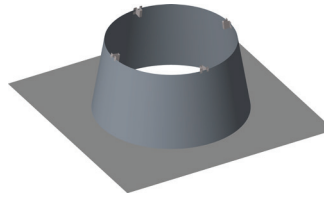
Flashings

Flashing (F)

Used in conjunction with Storm Collar (SC), included, for weatherization at the roof. There are 1" spacers on the top of the flashing to make sure there is an air gap between the Flashing and the outer wall of a section.

Included:

For SCL, CAX1, CIX1, CIX2, and CIX4: One (1) Storm Collar (SC), and hardware included.



Ø (in.)	Total Length (in.)	SCL (Single Wall)				CAX1 (1" Air Insulated)				CIX1 (1" Wool Insulated)			
		ØA (in.)	ØB (in)	C (in)	Product Code	ØA (in.)	ØB (in)	C (in)	Product Code	ØA (in.)	ØB (in)	C (in)	Product Code
5	12	7 3/16	11 3/16	16	SCL5F	9 3/16	21 1/8	34	CAX1-5F	9 3/16	15 1/8	28	CIX1-5F
6		8 3/16	11 3/16	16	SCL6F	10 3/16	22 1/8	35	CAX1-6F	10 3/16	16 1/8	29	CIX1-6F
7		9 3/16	14	26	SCL7F	11 3/16	23 1/8	36	CAX1-7F	11 3/16	17 1/8	30	CIX1-7F
8		10 3/16	14	26	SCL8F	12 3/16	24 1/8	37	CAX1-8F	12 3/16	18 1/8	31	CIX1-8F
9		11 3/16	14	26	SCL9F	13 3/16	25 1/8	38	CAX1-9F	13 3/16	19 1/8	32	CIX1-9F
10		12 3/16	16 1/8	28	SCL10F	14 3/16	28 1/8	41	CAX1-10F	14 3/16	22 1/8	35	CIX1-10F
11		13 3/16	17 5/8	30	SCL11F	15 3/16	29 1/8	42	CAX1-11F	15 3/16	23 1/8	36	CIX1-11F
12		14 3/16	17 5/8	30	SCL12F	16 3/16	30 1/8	43	CAX1-12F	16 3/16	24 1/8	37	CIX1-12F
13		15 3/16	20	31	SCL13F	17 3/16	31 1/8	44	CAX1-13F	17 3/16	25 1/8	38	CIX1-13F
14		16 3/16	20	31	SCL14F	18 3/16	32 1/8	45	CAX1-14F	18 3/16	26 1/8	39	CIX1-14F
16		18 3/16	22 1/8	34	SCL16F	20 3/16	34 1/8	47	CAX1-16F	20 3/16	28 1/8	41	CIX1-16F
18		20 3/16	24 1/8	36	SCL18F	22 3/16	38 1/8	51	CAX1-18F	22 3/16	32 1/8	45	CIX1-18F
20		22 3/16	26 1/8	38	SCL20F	24 3/16	40 1/8	53	CAX1-20F	24 3/16	34 1/8	47	CIX1-20F
22		24 3/16	28 1/8	40	SCL22F	26 3/16	42 1/8	55	CAX1-22F	26 3/16	36 1/8	49	CIX1-22F
24		26 3/16	30 1/8	42	SCL24F	28 3/16	44 1/8	57	CAX1-24F	28 3/16	38 1/8	51	CIX1-24F
26		28 3/16	32 1/8	44	SCL26F	30 3/16	48 1/8	61	CAX1-26F	30 3/16	42 1/8	55	CIX1-26F
28		30 3/16	38 1/8	46	SCL28F	32 3/16	50 1/8	63	CAX1-28F	32 3/16	44 1/8	57	CIX1-28F
30		32 3/16	40 1/8	48	SCL30F	34 3/16	52 1/8	65	CAX1-30F	34 3/16	46 1/8	59	CIX1-30F
32		34 3/16	42 1/8	50	SCL32F	36 3/16	54 1/8	67	CAX1-32F	36 3/16	48 1/8	61	CIX1-32F
34		36 3/16	44 1/8	52	SCL34F	38 3/16	58 1/8	71	CAX1-34F	38 3/16	52 1/8	65	CIX1-34F
36	38 3/16	46 1/8	54	SCL36F	40 3/16	60 1/8	73	CAX1-36F	40 3/16	54 1/8	67	CIX1-36F	

Material options (all): 304, Galvalume

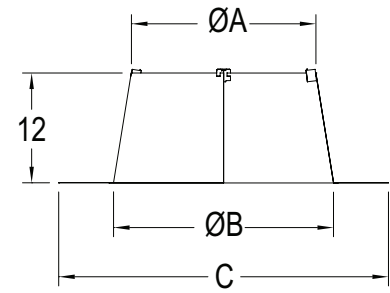
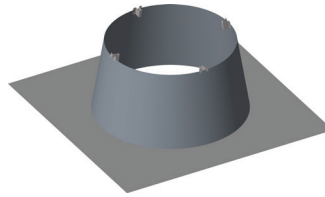
Flashings

Flashing (F) continued

Used in conjunction with Storm Collar (SC), included, for weatherization at the roof. There are 1" spacers on the top of the flashing to make sure there is an air gap between the Flashing and the outer wall of a section.

Included:

For SCL, CAX1, CIX1, CIX2, and CIX4: One (1) Storm Collar (SC), and hardware included.



Ø (in.)	Total Length (in.)	CIX2 (2" Wool Insulated)				CIX4 (4" Wool Insulated)			
		ØA (in.)	ØB (in)	C (in)	Product Code	ØA (in.)	ØB (in)	C (in)	Product Code
5	12	11 3/16	17 1/8	30	CIX2-5F	15 3/16	21 1/8	34	CIX4-5F
6		12 3/16	18 1/8	31	CIX2-6F	16 3/16	22 1/8	35	CIX4-6F
7		13 3/16	19 1/8	32	CIX2-7F	17 3/16	23 1/8	36	CIX4-7F
8		14 3/16	20 1/8	33	CIX2-8F	18 3/16	24 1/8	37	CIX4-8F
9		15 3/16	21 1/8	34	CIX2-9F	19 3/16	25 1/8	38	CIX4-9F
10		16 3/16	22 1/8	35	CIX2-10F	20 3/16	26 1/8	39	CIX4-10F
11		17 3/16	23 1/8	36	CIX2-11F	21 3/16	27 1/8	40	CIX4-11F
12		18 3/16	24 1/8	37	CIX2-12F	22 3/16	28 1/8	41	CIX4-12F
13		19 3/16	25 1/8	38	CIX2-13F	23 3/16	29 1/8	42	CIX4-13F
14		20 3/16	26 1/8	39	CIX2-14F	24 3/16	30 1/8	43	CIX4-14F
16		22 3/16	28 1/8	41	CIX2-16F	26 3/16	32 1/8	45	CIX4-16F
18		24 3/16	30 1/8	43	CIX2-18F	28 3/16	34 1/8	47	CIX4-18F
20		26 3/16	32 1/8	45	CIX2-20F	30 3/16	36 1/8	49	CIX4-20F
22		28 3/16	36 1/8	49	CIX2-22F	32 3/16	40 1/8	53	CIX4-22F
24		30 3/16	38 1/8	51	CIX2-24F	34 3/16	42 1/8	55	CIX4-24F
26		32 3/16	40 1/8	53	CIX2-26F	36 3/16	44 1/8	57	CIX4-26F
28		34 3/16	42 1/8	55	CIX2-28F	38 3/16	46 1/8	59	CIX4-28F
30		36 3/16	44 1/8	57	CIX2-30F	40 3/16	48 1/8	61	CIX4-30F
32		38 3/16	46 1/8	59	CIX2-32F	42 3/16	50 1/8	63	CIX4-32F
34		40 3/16	48 1/8	61	CIX2-34F	44 3/16	52 1/8	65	CIX4-34F
36	42 3/16	50 1/8	63	CIX2-36F	46 3/16	54 1/8	67	CIX4-36F	

Material options (all): 304, Galvalume

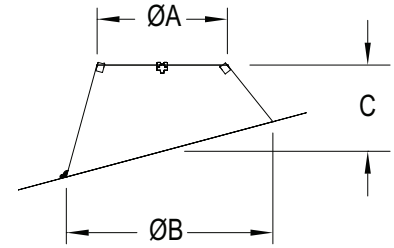
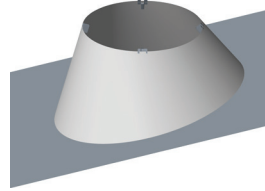
Flashings

Adjustable Flashing (F30)

Used in conjunction with Storm Collar (SC), included, for weatherization at the roof. There are 1" spacers on the top of the flashing to make sure there is an air gap between the Flashing and the outer wall of a section. 5° to 30° (1/12 to 7/12) pitch.

Included:

For SCL, CAX1, CIX1, CIX2, and CIX4: One (1) Storm Collar (SC), and hardware included.



Ø (in.)	SCL (Single Wall)				CAX1 (1" Air Insulated)				CIX1 (1" Wool Insulated)			
	ØA (in.)	ØB (in.)	C - Total height (in.)	Product Code	ØA (in.)	ØB (in.)	C - Total height (in.)	Product Code	ØA (in.)	ØB (in.)	C - Total height (in.)	Product Code
5	7 7/16	18 5/8	12 7/32	SCL5F30	9 3/16	21 3/4	12	CAX1-5F30	9 3/16	15 17/32	12	CIX1-5F30
6	8 15/32	19 25/32	12 7/32	SCL6F30	10 3/16	22 25/32	12	CAX1-6F30	10 3/16	16 9/16	12	CIX1-6F30
7	9 1/2	20 15/16	12 7/32	SCL7F30	11 3/16	23 13/16	12	CAX1-7F30	11 3/16	17 19/32	12	CIX1-7F30
8	10 9/16	22 3/32	12 5/16	SCL8F30	12 3/16	24 27/32	12	CAX1-8F30	12 3/16	18 5/8	12	CIX1-8F30
9	11 19/32	23 3/8	12 7/16	SCL9F30	13 3/16	25 7/8	12	CAX1-9F30	13 3/16	19 21/32	12	CIX1-9F30
10	12 5/8	24 1/2	12 7/16	SCL10F30	14 3/16	29	12	CAX1-10F30	14 3/16	22 25/32	12	CIX1-10F30
11	13 21/32	25 17/32	12 17/32	SCL11F30	15 3/16	30 1/32	12	CAX1-11F30	15 3/16	23 13/16	12	CIX1-11F30
12	14 11/16	26 5/8	12 7/16	SCL12F30	16 3/16	31 1/16	12	CAX1-12F30	16 3/16	24 27/32	12	CIX1-12F30
13	15 23/32	27 5/8	12 7/16	SCL13F30	17 3/16	32 3/32	12	CAX1-13F30	17 3/16	25 7/8	12	CIX1-13F30
14	16 3/4	28 7/8	12 7/16	SCL14F30	18 3/16	33 1/8	12	CAX1-14F30	18 3/16	26 29/32	12	CIX1-14F30
16	18 27/32	31	12 7/16	SCL16F30	20 3/16	35 3/16	12	CAX1-16F30	20 3/16	29	12	CIX1-16F30
18	20 29/32	33 1/8	12 7/16	SCL18F30	22 3/16	39 11/32	12 3/8	CAX1-18F30	22 3/16	33 1/8	12	CIX1-18F30
20	22 31/32	35 1/4	12 7/16	SCL20F30	24 3/16	41 13/32	12 29/32	CAX1-20F30	24 3/16	35 3/16	12	CIX1-20F30
22	25 1/32	37 3/8	12 7/16	SCL22F30	26 3/16	43 15/32	13 5/32	CAX1-22F30	26 3/16	37 9/32	12	CIX1-22F30
24	27 1/8	39 1/2	12 7/16	SCL24F30	28 3/16	45 9/16	13 13/32	CAX1-24F30	28 3/16	39 11/32	12	CIX1-24F30
26	29 3/16	41 5/8	12 7/16	SCL26F30	30 3/16	49 11/16	14 29/32	CAX1-26F30	30 3/16	43 15/32	12	CIX1-26F30
28	31 1/4	43 3/4	12 7/16	SCL28F30	32 3/16	51 3/4	15 5/32	CAX1-28F30	32 3/16	45 9/16	12	CIX1-28F30
30	33 5/16	45 29/32	12 7/16	SCL30F30	34 3/16	53 27/32	15 7/16	CAX1-30F30	34 3/16	47 5/8	12	CIX1-30F30
32	35 13/32	48 11/32	12 15/16	SCL32F30	36 3/16	55 29/32	15 11/16	CAX1-32F30	36 3/16	49 11/16	12	CIX1-32F30
34	37 15/32	50 13/16	13 15/32	SCL34F30	38 3/16	60 1/32	17 3/16	CAX1-34F30	38 3/16	53 27/32	13 15/32	CIX1-34F30
36	39 17/32	53 31/32	13 15/32	SCL36F30	40 3/16	62 1/8	17 7/16	CAX1-36F30	40 3/16	55 29/32	13 3/4	CIX1-36F30

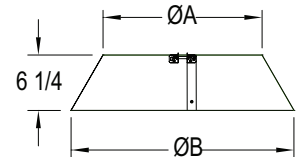
Material options (collar): 304, Galvalume

Storm Collar (SC)

Used above the Flashing or the Adjustable Flashing for complete weatherization above the roof. To be sealed with outer joint sealant (S-375) (not included).

Included:

For SCL, CAX1, CIX1, CIX2, and CIX4: Hardware for the collar.



Ø (in.)	Total Length (in.)	SCL (Single Wall)			CAX1 (1" Air Insulated) - CIX1 (1" Wool Insulated)			
		ØA (in.)	ØB (in.)	Product Code	ØA (in.)	ØB (in.)	Product Code	Product Code
Ø5 to Ø36	6 1/4	Ø - 1/16	Ø + 7 3/16	SCLØSC	Ø + 1 15/16	Ø + 9 3/16	CAX1-ØSC	CIX1-ØSC

Material options (all): 304, Galvalume

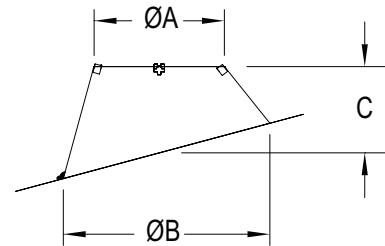
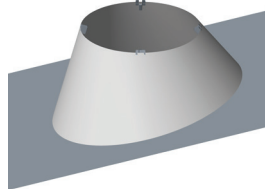
Flashings

Adjustable Flashing (F30) continued

Used in conjunction with Storm Collar (SC), included, for weatherization at the roof. There are 1" spacers on the top of the flashing to make sure there is an air gap between the Flashing and the outer wall of a section. 5° to 30° (1/12 to 7/12) pitch.

Included:

For SCL, CAX1, CIX1, CIX2, and CIX4: One (1) Storm Collar (SC), and hardware included.



Ø (in.)	CIX2 (2" Wool Insulated)				CIX4 (4" Wool Insulated)			
	ØA (in.)	ØB (in)	C - Total height (in)	Product Code	ØA (in.)	ØB (in)	C - Total height (in)	Product Code
5	11 3/16	17 19/32	12 7/16	CIX2-5F30	15 3/16	21 3/4	12 7/16	CIX4-5F30
6	12 3/16	18 5/8	12 7/16	CIX2-6F30	16 3/16	22 25/32	12 7/16	CIX4-6F30
7	13 3/16	19 21/32	12 7/16	CIX2-7F30	17 3/16	23 13/16	12 7/16	CIX4-7F30
8	14 3/16	20 23/32	12 7/16	CIX2-8F30	18 3/16	24 27/32	12 7/16	CIX4-8F30
9	15 3/16	21 3/4	12 7/16	CIX2-9F30	19 3/16	25 7/8	12 7/16	CIX4-9F30
10	16 3/16	22 25/32	12 7/16	CIX2-10F30	20 3/16	26 29/32	12 7/16	CIX4-10F30
11	17 3/16	23 13/16	12 7/16	CIX2-11F30	21 3/16	27 15/16	12 7/16	CIX4-11F30
12	18 3/16	24 27/32	12 7/16	CIX2-12F30	22 3/16	29	12 7/16	CIX4-12F30
13	19 3/16	25 7/8	12 7/16	CIX2-13F30	23 3/16	30 1/32	12 7/16	CIX4-13F30
14	20 3/16	26 29/32	12 7/16	CIX2-14F30	24 3/16	31 1/16	12 7/16	CIX4-14F30
16	22 3/16	29	12 7/16	CIX2-16F30	26 3/16	33 1/8	12 7/16	CIX4-16F30
18	24 3/16	31 1/16	12 7/16	CIX2-18F30	28 3/16	35 3/16	12 7/16	CIX4-18F30
20	26 3/16	33 1/8	12 7/16	CIX2-20F30	30 3/16	37 9/32	12 7/16	CIX4-20F30
22	28 3/16	37 9/32	12 7/16	CIX2-22F30	32 3/16	41 13/32	12 7/16	CIX4-22F30
24	30 3/16	39 11/32	12 7/16	CIX2-24F30	34 3/16	43 15/32	12 7/16	CIX4-24F30
26	32 3/16	41 13/32	12 7/16	CIX2-26F30	36 3/16	45 9/16	12 7/16	CIX4-26F30
28	34 3/16	43 15/32	12 7/16	CIX2-28F30	38 3/16	47 5/8	12 7/16	CIX4-28F30
30	36 3/16	45 9/16	12 7/16	CIX2-30F30	40 3/16	49 11/16	14 7/32	CIX4-30F30
32	38 3/16	47 5/8	12 7/16	CIX2-32F30	42 3/16	51 3/4	14 1/2	CIX4-32F30
34	40 3/16	49 11/16	14 7/32	CIX2-34F30	44 3/16	53 27/32	14 3/4	CIX4-34F30
36	42 3/16	51 3/4	14 3/8	CIX2-36F30	46 3/16	55 29/32	16 5/16	CIX4-36F30

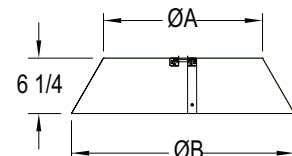
Material options (collar): 304, Galvalume

Storm Collar (SC) continued

Used above the Flashing or the Adjustable Flashing for complete weatherization above the roof. To be sealed with outer joint sealant (S-375) (not included).

Included:

For SCL, CAX1, CIX1, CIX2, and CIX4: Hardware for the collar.



Material options (all): 304, Galvalume

Terminations

Finishing Cone (FC)

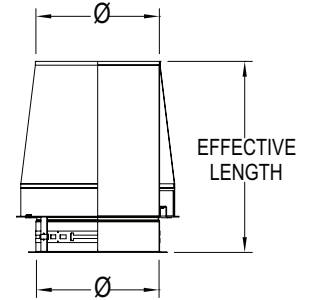
Used at the top of the chimney and protects the chimney against water infiltration in the insulation between the inner and outer wall of the chimney. The inner flue is straight all the way. A Drain Tee Cap (DTC) at the base of the chimney or a Drain Length (DL) in the vertical run is required for use of a Finishing Cone (FC).

Included:

For SCL: One (1) Locking Inner "V" Band (BSI), and one (1) Centering Flue Extension (PR-C0794).

For CAX1: One (1) Locking Inner "V" Band (BSI), one (1) Centering Flue Extension (PR-C0794), and one (1) Outer Band (BSE).

For CIX1, CIX2, and CIX4: One (1) Locking Inner "V" Band (BSI), one (1) Centering Flue Extension (PR-C0794), one (1) 6" insulation band, and one (1) Outer Band (BSE).



Ø (in.)	Effective Length (in.)	Product Code				
		SCL (Single Wall)	CAX1 (1" Air Insulated)	CIX1 (1" Insulated)	CIX2 (2" Insulated)	CIX4 (4" Insulated)
Ø5 to Ø9	12 1/2	SCLØFC	CAX1-ØFC	CIX1-ØFC	CIX2-ØFC	CIX4-ØFC
Ø10 to Ø14	16 1/2					
Ø16 to Ø22	20 1/2					
Ø24 to Ø28	24 1/2					
Ø30 to Ø34	28 1/2					
Ø36	32 1/2					

Material options (Inner-Outer): 304-Galvalume, 304-304, 316-Galvalume, 316-304

Flow resistance:

Ø5" to Ø16": K = 0.4 (eff. length [ft] / Ø [in])

Ø18" to Ø36": K = 0.3 (eff. length [ft] / Ø [in])

For Engine and Turbine Exhausts: K = 0.25 (eff. length [ft] / Ø [in])

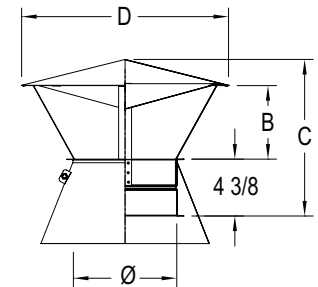
Conic Rain Cap (CRC)

Used to provide the greatest degree of rain protection and it is a single wall part. For dable wall, a Closure Ring (CR) is provided to protect the insulated space between standard pipe inner and outer. Also available with bird screen (SCLCRCB).

Included:

For SCL: One (1) Conic Rain Cap (CRC) only.

For CAX1, CIX1, CIX2 and CIX4: One Closure Ring (CR).



Ø (in.)	B (in.)	C (in)	D (in)	Product Code					
				SCL (Single Wall)		CAX1 (1" Air Insulated)		CIX1 (1" Insulated)	
				Standard	With Bird Screen	Standard	With Bird Screen	Standard	With Bird Screen
5	5 1/16	11 1/2	16	SCL5CRC	SCL5CRCB	CAX1-5CRC	CAX1-5CRCB	CIX1-5CRC	CIX1-5CRCB
6	5 7/16	11 7/8	16	SCL6CRC	SCL6CRCB	CAX1-6CRC	CAX1-6CRCB	CIX1-6CRC	CIX1-6CRCB
7	5 3/4	12 1/8	16	SCL7CRC	SCL7CRCB	CAX1-7CRC	CAX1-7CRCB	CIX1-7CRC	CIX1-7CRCB
8	6	12 3/8	16	SCL8CRC	SCL8CRCB	CAX1-8CRC	CAX1-8CRCB	CIX1-8CRC	CIX1-8CRCB
9	5	12	19 7/8	SCL9CRC	SCL9CRCB	CAX1-9CRC	CAX1-9CRCB	CIX1-9CRC	CIX1-9CRCB
10	5 7/16	12 3/8	19 7/8	SCL10CRC	SCL10CRCB	CAX1-10CRC	CAX1-10CRCB	CIX1-10CRC	CIX1-10CRCB
11	5 13/16	12 3/4	19 7/8	SCL11CRC	SCL11CRCB	CAX1-11CRC	CAX1-11CRCB	CIX1-11CRC	CIX1-11CRCB
12	7 7/8	14 5/8	24	SCL12CRC	SCL12CRCB	CAX1-12CRC	CAX1-12CRCB	CIX1-12CRC	CIX1-12CRCB
13	8 1/8	14 7/8	24	SCL13CRC	SCL13CRCB	CAX1-13CRC	CAX1-13CRCB	CIX1-13CRC	CIX1-13CRCB
14	7	16 1/2	27 3/4	SCL14CRC	SCL14CRCB	CAX1-14CRC	CAX1-14CRCB	CIX1-14CRC	CIX1-14CRCB
16	7 3/4	17 1/4	27 3/4	SCL16CRC	SCL16CRCB	CAX1-16CRC	CAX1-16CRCB	CIX1-16CRC	CIX1-16CRCB
18	7 1/8	17 1/4	31 1/2	SCL18CRC	SCL18CRCB	CAX1-18CRC	CAX1-18CRCB	CIX1-18CRC	CIX1-18CRCB
20	7 7/8	18	31 1/2	SCL20CRC	SCL20CRCB	CAX1-20CRC	CAX1-20CRCB	CIX1-20CRC	CIX1-20CRCB
22	12 1/2	25 1/8	44	SCL22CRC	SCL22CRCB	CAX1-22CRC	CAX1-22CRCB	CIX1-22CRC	CIX1-22CRCB
24	12 7/8	25 1/2	44	SCL24CRC	SCL24CRCB	CAX1-24CRC	CAX1-24CRCB	CIX1-24CRC	CIX1-24CRCB
26	13 1/2	26 3/16	44	SCL26CRC	SCL26CRCB	CAX1-26CRC	CAX1-26CRCB	CIX1-26CRC	CIX1-26CRCB
28	17 1/4	30 7/8	56	SCL28CRC	SCL28CRCB	CAX1-28CRC	CAX1-28CRCB	CIX1-28CRC	CIX1-28CRCB
30	17 7/8	31 9/16	56	SCL30CRC	SCL30CRCB	CAX1-30CRC	CAX1-30CRCB	CIX1-30CRC	CIX1-30CRCB
32	17 1/4	31 1/4	60	SCL32CRC	SCL32CRCB	CAX1-32CRC	CAX1-32CRCB	CIX1-32CRC	CIX1-32CRCB
34	17 7/8	31 7/8	60	SCL34CRC	SCL34CRCB	CAX1-34CRC	CAX1-34CRCB	CIX1-34CRC	CIX1-34CRCB
36	18 1/2	32 1/2	60	SCL36CRC	SCL36CRCB	CAX1-36CRC	CAX1-36CRCB	CIX1-36CRC	CIX1-36CRCB

Material options (Inner): 304, 316

Flow resistance: K = 0.5

Terminations

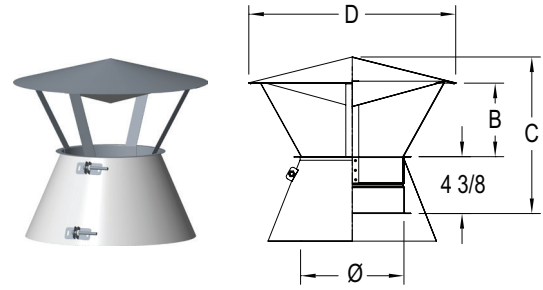
Conic Rain Cap (CRC) continued

Used to provide the greatest degree of rain protection and it is a single wall part. For double wall, a Closure Ring (CR) is provided to protect the insulated space between standard pipe inner and outer. Also available with bird screen (SCLCRCB).

Included:

For SCL: One (1) Conic Rain Cap (CRC) only.

For CAX1, CIX1, CIX2 and CIX4: One Closure Ring (CR).



Ø (in.)	B (in.)	C (in)	D (in)	Product Code			
				CIX2 (2" Insulated)		CIX4 (4" Insulated)	
				Standard	With Bird Screen	Standard	With Bird Screen
5	5 1/16	11 1/2	16	CIX2-5CRC	CIX2-5CRCB	CIX4-5CRC	CIX4-5CRCB
6	5 7/16	11 7/8	16	CIX2-6CRC	CIX2-6CRCB	CIX4-6CRC	CIX4-6CRCB
7	5 3/4	12 1/8	16	CIX2-7CRC	CIX2-7CRCB	CIX4-7CRC	CIX4-7CRCB
8	6	12 3/8	16	CIX2-8CRC	CIX2-8CRCB	CIX4-8CRC	CIX4-8CRCB
9	5	12	19 7/8	CIX2-9CRC	CIX2-9CRCB	CIX4-9CRC	CIX4-9CRCB
10	5 7/16	12 3/8	19 7/8	CIX2-10CRC	CIX2-10CRCB	CIX4-10CRC	CIX4-10CRCB
11	5 13/16	12 3/4	19 7/8	CIX2-11CRC	CIX2-11CRCB	CIX4-11CRC	CIX4-11CRCB
12	7 7/8	14 5/8	24	CIX2-12CRC	CIX2-12CRCB	CIX4-12CRC	CIX4-12CRCB
13	8 1/8	14 7/8	24	CIX2-13CRC	CIX2-13CRCB	CIX4-13CRC	CIX4-13CRCB
14	7	16 1/2	27 3/4	CIX2-14CRC	CIX2-14CRCB	CIX4-14CRC	CIX4-14CRCB
16	7 3/4	17 1/4	27 3/4	CIX2-16CRC	CIX2-16CRCB	CIX4-16CRC	CIX4-16CRCB
18	7 1/8	17 1/4	31 1/2	CIX2-18CRC	CIX2-18CRCB	CIX4-18CRC	CIX4-18CRCB
20	7 7/8	18	31 1/2	CIX2-20CRC	CIX2-20CRCB	CIX4-20CRC	CIX4-20CRCB
22	12 1/2	25 1/8	44	CIX2-22CRC	CIX2-22CRCB	CIX4-22CRC	CIX4-22CRCB
24	12 7/8	25 1/2	44	CIX2-24CRC	CIX2-24CRCB	CIX4-24CRC	CIX4-24CRCB
26	13 1/2	26 3/16	44	CIX2-26CRC	CIX2-26CRCB	CIX4-26CRC	CIX4-26CRCB
28	17 1/4	30 7/8	56	CIX2-28CRC	CIX2-28CRCB	CIX4-28CRC	CIX4-28CRCB
30	17 7/8	31 9/16	56	CIX2-30CRC	CIX2-30CRCB	CIX4-30CRC	CIX4-30CRCB
32	17 1/4	31 1/4	60	CIX2-32CRC	CIX2-32CRCB	CIX4-32CRC	CIX4-32CRCB
34	17 7/8	31 7/8	60	CIX2-34CRC	CIX2-34CRCB	CIX4-34CRC	CIX4-34CRCB
36	18 1/2	32 1/2	60	CIX2-36CRC	CIX2-36CRCB	CIX4-36CRC	CIX4-36CRCB

Material options (Inner): 304, 316

Flow resistance: K = 0.5

Terminations

No Loss Cap (CNL)

Used to provide a “low-loss” termination on vertical run when the chimney is installed at a location subject to high wind condition and need protecting to the equipment from the rain. It allows your equipment to operate as efficiently as possible and the exhaust to blast unhindered straight up with full velocity. As per the ACGIH: Industrial Ventilation Manual, 23rd edition (1998), the outer wall must have a diameter of $\text{Øflue} + 2$, overlap the inner wall by 6", be separated from the inner wall with 1" spacers, and have a height of four (4) times the Øflue .

Two different designs for the CRC:

Ø5" to Ø13": An inner flue with an outer wall connected on it.

Ø14" to Ø36": An inner flue with 1" spacers connected on it, different number of SCL sections of $\text{Ø} + 2$, working as outer wall, making a total height of 4 times the flue Ø , whose are mounted on an Anchor Plate (AP) when it has 6" overlap, placed.

See Installation Instructions for more information.

Included for Ø5 to Ø13:

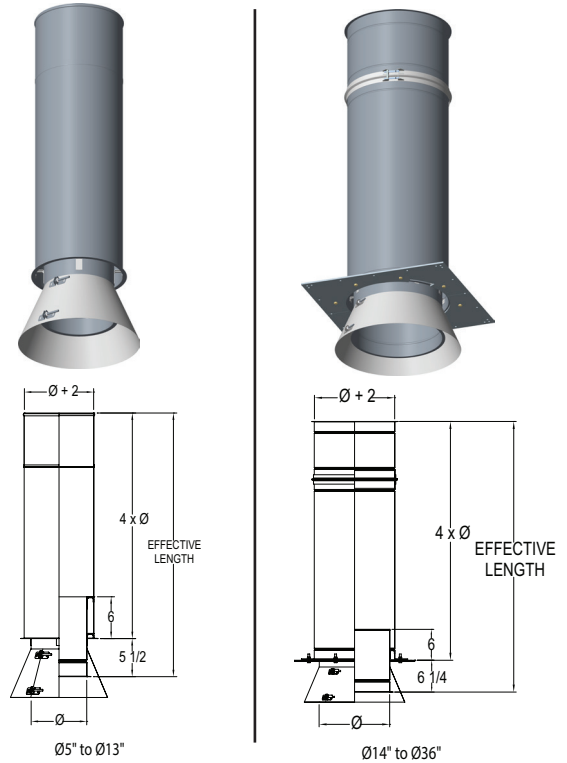
For SCL: One (1) No Loss Cap (CNL) only.

For CAX1, CIX1, CIX2, and CIX4: One (1) Closure Ring (CR).

Included for Ø14 to Ø36:

For SCL: One (1) inner wall with brackets on it, one (1) locking inner V-Band, one (1) Anchor Plate (AP), different numbers and lengths of SCL section of $\text{Ø} + 2$ with their inner V-Band (BSI of $\text{Ø} + 2$), and one (1) Closure Ring (CR).

For CAX1, CIX1, CIX2 and CIX4: One (1) inner wall with brackets on it, one (1) locking inner V-Band (BSI), one (1) Anchor Plate (AP), different numbers and lengths of SCL section of $\text{Ø} + 2$ with their inner V-Band (BSI of $\text{Ø} + 2$), and one (1) Closure Ring (CR).



Ø (in.)	ØB (in.)	C (in)	D - Effective Length (in.)	Product Code				
				SCL (Single Wall)	CAX1 (1" Air Insulated)	CIX1 (1" Insulated)	CIX2 (2" Insulated)	CIX4 (4" Insulated)
Ø5 to Ø36	Ø + 2	4 x Ø	(4 x Ø) + 5 1/2	SCLØCNL	CAX1-ØCNL	CIX1-ØCNL	CIX2-ØCNL	CIX4-ØCNL

Material options (Inner-Outer): 304-316

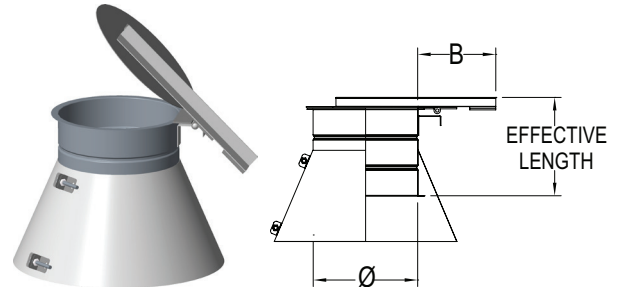
Flip Top (FT)

Used mostly in vertical diesel or turbine exhaust, it prevents moisture and debris from entering the system. It can also be used on horizontal run when properly installed. It opens with internal pressure and closes when no pressure. It is a single wall part (for all Models SCL, CAX1, CIX1, CIX2, and CIX4). For CAX1, CIX1, CIX2, and CIX4, a Closure Ring (CR) is provided to protect the insulated space between standard pipe inner and outer.

Included: One (1) Flip Top (FT) only.

For SCL: Nothing else.

For CAX1, CIX1, CIX2, and CIX4: One (1) Closure Ring (CR).



Ø (in.)	Effective Length (in.)	B (in.)	Product Code				
			SCL (Single Wall)	CAX1 (1" Air Insulated)	CIX1 (1" Insulated)	CIX2 (2" Insulated)	CIX4 (4" Insulated)
Ø5 to Ø7	7 5/8	5 1/8	SCLØFT	CAX1-ØFT	CIX1-ØFT	CIX2-ØFT	CIX4-ØFT
Ø8 to Ø10		6 1/8					
Ø11 to Ø13		7 1/8					
Ø14		8 1/8					
Ø16 to Ø18		9 1/8					
Ø20 to Ø22		10 1/8					
Ø24		11 1/8					

Material options (Inner-Outer): 304-316

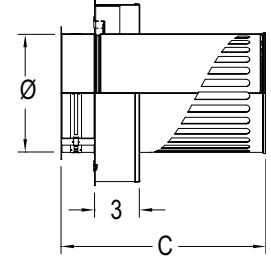
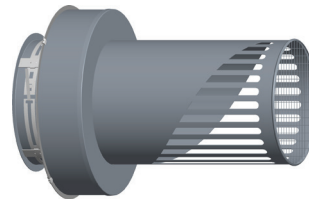
Terminations

Miter Cut (MC)

Used in horizontal diesel or turbine exhaust to minimize the entry of rainwater in the system when installed in the proper orientation.

Included:

For SCL, OAX1, CIX1, CIX2, and CIX4: One (1) Miter Cut (MC) only, One (1) birdscreen at the end.



Ø (in.)	C - Effective Length (in.)	Product Code				
		SCL (Single Wall)	CAX1 (1" Air Insulated)	CIX1 (1" Insulated)	CIX2 (2" Insulated)	CIX4 (4" Insulated)
5	12 5/32	SCL5MC	CAX1-5MC	CIX1-5MC	CIX2-5MC	CIX4-5MC
6	13 1/4	SCL6MC	CAX1-6MC	CIX1-6MC	CIX2-6MC	CIX4-6MC
7	14 3/8	SCL7MC	CAX1-7MC	CIX1-7MC	CIX2-7MC	CIX4-7MC
8	15 15/32	SCL8MC	CAX1-8MC	CIX1-8MC	CIX2-8MC	CIX4-8MC
9	16 9/16	SCL9MC	CAX1-9MC	CIX1-9MC	CIX2-9MC	CIX4-9MC
10	17 21/32	SCL10MC	CAX1-10MC	CIX1-10MC	CIX2-10MC	CIX4-10MC
11	18 3/4	SCL11MC	CAX1-11MC	CIX1-11MC	CIX2-11MC	CIX4-11MC
12	19 7/8	SCL12MC	CAX1-12MC	CIX1-12MC	CIX2-12MC	CIX4-12MC
13	20 31/32	SCL13MC	CAX1-13MC	CIX1-13MC	CIX2-13MC	CIX4-13MC
14	22 1/16	SCL14MC	CAX1-14MC	CIX1-14MC	CIX2-14MC	CIX4-14MC
16	24 1/4	SCL16MC	CAX1-16MC	CIX1-16MC	CIX2-16MC	CIX4-16MC
18	26 15/32	SCL18MC	CAX1-18MC	CIX1-18MC	CIX2-18MC	CIX4-18MC
20	28 21/32	SCL20MC	CAX1-20MC	CIX1-20MC	CIX2-20MC	CIX4-20MC
22	30 7/8	SCL22MC	CAX1-22MC	CIX1-22MC	CIX2-22MC	CIX4-22MC
24	33 1/16	SCL24MC	CAX1-24MC	CIX1-24MC	CIX2-24MC	CIX4-24MC
26	35 1/4	SCL26MC	CAX1-26MC	CIX1-26MC	CIX2-26MC	CIX4-26MC
28	37 15/32	SCL28MC	CAX1-28MC	CIX1-28MC	CIX2-28MC	CIX4-28MC
30	39 21/32	SCL30MC	CAX1-30MC	CIX1-30MC	CIX2-30MC	CIX4-30MC
32	41 7/8	SCL32MC	CAX1-32MC	CIX1-32MC	CIX2-32MC	CIX4-32MC
34	44 1/16	SCL34MC	CAX1-34MC	CIX1-34MC	CIX2-34MC	CIX4-34MC
36	46 1/4	SCL36MC	CAX1-36MC	CIX1-36MC	CIX2-36MC	CIX4-36MC

Material options (Inner-Outer): 304-Galvalume, 304-304, 316-Galvalume, 316-304

Flow resistance: K = 1.25

Joint Assembly - Replacement Parts

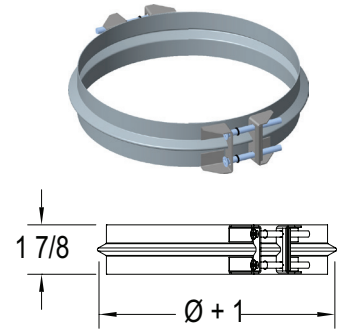
Locking Inner "V" Band (BSI)

Used to clamp and seal parts together. To be sealed with joint sealant (not included).

Included:

For SCL, CIX1, CIX2, and CIX4: Two (2) half band, and hardware.

Ø (in.)	Total Length (in)	Effective Length (in)	Product Code				
			SCL (Single Wall)	CAX1 (1" air)	CIX1 (1" insulated)	CIX2 (2" insulated)	CIX4 (4" insulated)
Ø5" to Ø36"	1 7/8	0	SCLØBSI	CAX1-ØBSI	CIX1-ØBSI	CIX2-ØBSI	CIX4-ØBSI



Outer Band (BSE)

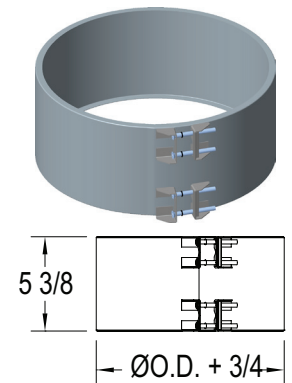
Used to seal outer casing at each joint. When then (BSE) is exposed to weather, sealant S-375 (by others) must be used to seal every joint.

Included:

For CAX1 and CIX1, CIX2, and CIX4: Two (2) half band (small diameter) or one (1) band (for large diameter).

For CIX1, CIX2, and CIX4 only: Two (2) half band (small diameter) or (1) band (larger diameter), and one (1) 6" wide insulation strip, and hardware.

Ø (in.)	Ø of band (in.)	Total Length (in)	Effective Length (in)	Product Code			
				CAX1 (1" air)	CIX1 (1" insulated)	CIX2 (2" insulated)	CIX4 (4" insulated)
Ø5" to Ø36"	O.D. + 3/4	5 3/8	0	CAX1-ØBSE	CIX1-ØBSE	CIX2-ØBSE	CIX4-ØBSE



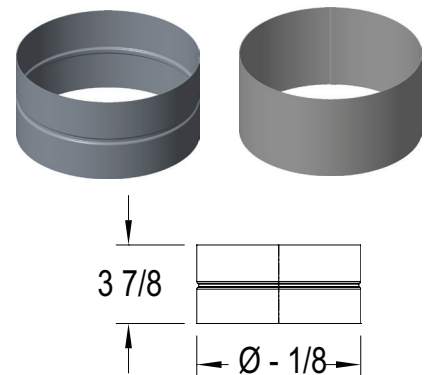
Centering Flue Extension (PR-C0794)

Unattached sleeve used for centering parts together while assembling.

Included:

For CAX1 and CIX1, CIX2, and CIX4: One (1) Sleeve.

Ø (in.)	Ø of sleeve (in.)	Total Length (in)	Effective Length (in)	Product Code
				CAX1 (1" air), CIX1 (1" insulated), CIX2 (2" insulated), CIX4 (4" insulated)
Ø5" to Ø36"	Ø - 1/8	Ø - 1/8	0	PR-C0794-Ø



Half Outer Band (DBSE)

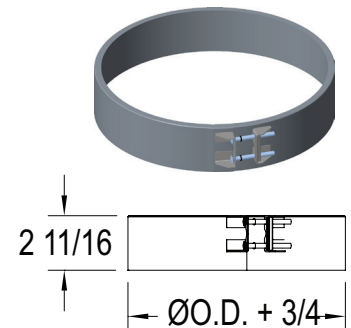
Used to seal outer casing when using Anchor Plate (AP), an Heavy Duty Wall Support (WSHD), Half Universal Flange Adaptors (HUF). Half height of the BSE. Need one (1) band on each side of the plates.

Included:

For CAX1 and CIX1, CIX2, and CIX4: Two (2) half band (small diameter) or one (1) band (for large diameter), and hardware.

For CIX1, CIX2, and CIX4 only: Two (2) half band (small diameter) or (1) band (larger diameter), and one (1) 3" wide insulation strip.

Ø (in.)	Ø of band (in)	Total Length (in)	Effective Length (in)	Product Code			
				CAX1 (1" air)	CIX1 (1" insulated)	CIX2 (2" insulated)	CIX4 (4" insulated)
Ø5" to Ø36"	ØO.D. + 3/4	2 11/16	0	CAX1-ØDBSE	CIX1-ØDBSE	CIX2-ØDBSE	CIX4-ØDBSE



Joint Assembly - Replacement Parts

Duct Closure Band (CR)

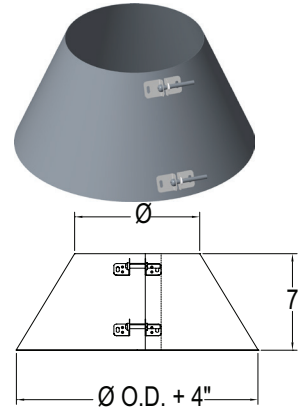
Use to shield insulation from weather for some Single Wall Termination (Conic Rain Cap, No loss Cap, Flip Top) or when transition from CAX1, CIX1, CIX2, CIX4 to SCL on vertical run. Hardware provided.

Included:

For CAX1, CIX1, CIX2, and CIX4: One (1) collar and hardware.

Ø (in.)	ØA (in)	ØB (in)	Total Length (in)	Effective Length (in)	Product Code			
					CAX1 (1" air)	CIX1 (1" insulated)	CIX2 (2" insulated)	CIX4 (4" insulated)
Ø5" to Ø36"	Ø + 1/16	ØO.D. + 4"	7"	0"	CAX1-ØCR	CIX1-ØCR	CIX2-ØCR	CIX4-ØCR

Materials available: Galvalume, 304



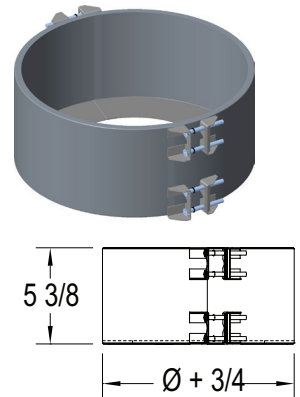
Transition Outer Band (O.D. from one lineup to another)

Used to shield insulation on vertical or horizontal run when there is a transition from any product lineup to another one. Each product can be used on both ways: to convert up to a larger outer wall, or to convert up to a smaller outer wall.

Included:

For SCL, CAX1, CIX1, CIX2, and CIX4: Two (2) half bands with half disc, and hardware.

Ø (in.)	Ø of band (in)	Total Length (in)	Effective Length (in)	Product Code			
				One (1) lineup gap (O.D. + 2 or O.D. - 2)	Two (2) lineup gap (O.D. + 4 or O.D. - 4)	Three (3) lineup gap (O.D. + 6 or O.D. - 6)	Four (4) lineup gap (O.D. + 8 or O.D. - 8)
Ø5" to Ø36"	ØO.D. + 3/4	5 3/8"	0"	SCLØCAX1 CAX1-ØCIX2 CIX1-ØCIX2	SCLØCIX2 CIX2-ØCIX4	CAX1-ØCIX4 CIX1-ØCIX4	SCLØCIX4

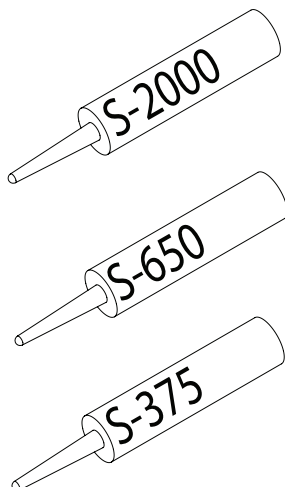


Sealant

The **S-375** grey sealant is used if any joints of any bands are exposed to weather, or on other parts that are external to the structure and need to be sealed.

The **S-650** red sealant is used for Flange to Flange Joint Assembly for a maximum continuous flue temperature of 650°F.

The **S-2000** white sealant is used for Flange to Flange Joint Assembly for a maximum continuous flue temperature of 2000°F.



Flue Diameter Ø	Expected number of tubes per joint/hole for each sealant	
	S-375 (Tube per outer Joint for exterior weathering)	S-650 and S-2000 (Tube per Joint Assembly)
5	1/5	1/5
6	1/5	1/5
7	1/5	1/5
8	1/5	1/5
9	1/5	1/5
10	1/5	1/5
11	1/4	1/4
12	1/4	1/4
13	1/4	1/4
14	1/4	1/4
16	1/4	1/4
18	1/3	1/3
20	1/3	1/3
22	1/3	1/3
24	1/2	1/2
26	1/2	1/2
28	1/2	1/2
30	2/3	2/3
32	2/3	2/3
34	3/4	3/4
36	3/4	3/4

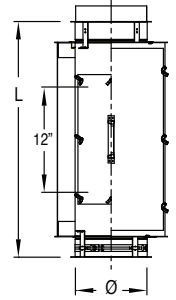
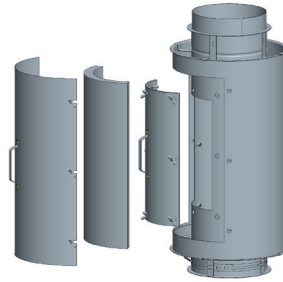
Grease Duct Accessories

No Tool Inline Access Door

Used for inspection and cleaning. Greaseproof and fire-tight seal.

Included:

For SCL: One (1) Locking Inner "V" Band (BSI), one (1) Centering Flue Extension (PR-C0794), one (1) fiber high temperature gasket, one (1) silicone gasket, one (1) inner door, and hardware (wing screws) for the access door. Replacement gaskets available
For CAX1, CIX1, CIX2, and CIX4: One (1) Locking Inner "V" Band (BSI), one (1) Centering Flue Extension (PR-C0794), one (1) locking outer band (BSE), one (1) fiber high temperature gasket, one (1) silicone gasket, one (1) inner door, one (1) outer door and hardware (wing screws) for both access doors.



Ø (in.)	Length (in)	Effective Length (in)	Product Code				
			SCL (Single Wall)	CAX1 (1" Air Insulated)	CIX1 (1" Insulated)	CIX2 (2" Insulated)	CIX4 (4" Insulated)
Ø5" to Ø36"	26	26 3/8	SCLØADL26	CAX1-ØADL26	CIX1-ØADL26	CIX2-ØADL26	CIX4-ØADL26
Ø5" to Ø36"	36	36 1/16	SCLØADL36	CAX1-ØADL36	CIX1-ØADL36	CIX2-ØADL36	CIX4-ØADL36

Materials available: 304, 316.

Flow resistance: K = .30 (eff.length [ft] / Ø [in]).

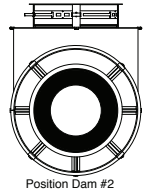
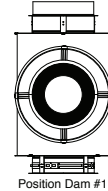
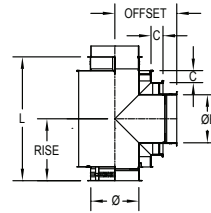
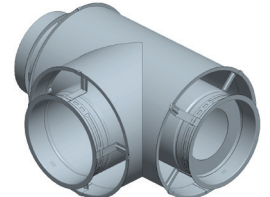
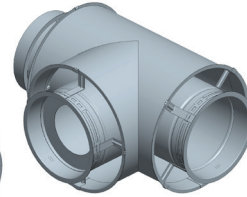
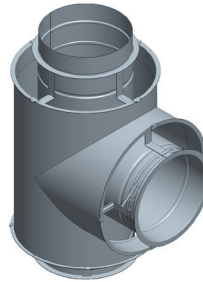
90° Tees and 90° Tees with a Dam

Used to change direction at 90° breeching. Can be used as an inspection access in horizontal runs. An optional Dam can be ordered in position #1 or #2 for protection against fluids running out while cleaning.

Included:

For SCL: One (1) Locking Inner "V" Band (BSI) and one (1) Centering Flue Extension (PR-C0794).

For CAX1, CIX1, CIX2, and CIX4: One (1) Locking Inner "V" Band (BSI), one (1) Centering Flue Extension (PR-C0794) and one (1) Locking Outer Band (BSE).



SCL (Single Wall)													
Ø	Effective Length	C	Rise	Offset	Standard	Option D1 Or D2	Ø	Effective Length	C	Rise	Offset	Standard	Option D1 Or D2
5"	12 1/16"	0"	6 1/32"	6 1/32"	SCL5T90	SCL5T90D1 or 2	18"	25 1/16"	0"	12 17/32"	12 17/32"	SCL18T90	SCL18T90D1 or 2
6"	13 1/16"	0"	6 17/32"	6 17/32"	SCL6T90	SCL6T90D1 or 2	20"	27 1/16"	0"	13 17/32"	13 17/32"	SCL20T90	SCL20T90D1 or 2
7"	14 1/16"	0"	7 1/32"	7 1/32"	SCL7T90	SCL7T90D1 or 2	22"	29 1/16"	0"	14 17/32"	14 17/32"	SCL22T90	SCL22T90D1 or 2
8"	15 1/16"	0"	7 17/32"	7 17/32"	SCL8T90	SCL8T90D1 or 2	24"	31 1/16"	0"	15 17/32"	15 17/32"	SCL24T90	SCL24T90D1 or 2
9"	16 1/16"	0"	8 1/32"	8 1/32"	SCL9T90	SCL9T90D1 or 2	26"	33 1/16"	0"	16 17/32"	16 17/32"	SCL26T90	SCL26T90D1 or 2
10"	17 1/16"	0"	8 17/32"	8 17/32"	SCL10T90	SCL10T90D1 or 2	28"	35 1/16"	0"	17 17/32"	17 17/32"	SCL28T90	SCL28T90D1 or 2
11"	18 1/16"	0"	9 1/32"	9 1/32"	SCL11T90	SCL11T90D1 or 2	30"	37 1/16"	0"	18 17/32"	18 17/32"	SCL30T90	SCL30T90D1 or 2
12"	19 1/16"	0"	9 17/32"	9 17/32"	SCL12T90	SCL12T90D1 or 2	32"	39 1/16"	0"	19 17/32"	19 17/32"	SCL32T90	SCL32T90D1 or 2
13"	20 1/16"	0"	10 1/32"	10 1/32"	SCL13T90	SCL13T90D1 or 2	34"	41 1/16"	0"	20 17/32"	20 17/32"	SCL34T90	SCL34T90D1 or 2
14"	21 1/16"	0"	10 17/32"	10 17/32"	SCL14T90	SCL14T90D1 or 2	36"	43 1/16"	0"	21 17/32"	21 17/32"	SCL36T90	SCL36T90D1 or 2
16"	23 1/16"	0"	11 17/32"	11 17/32"	SCL16T90	SCL16T90D1 or 2							

Grease Duct Accessories

90° Tees and 90° Tees with a Dam continued

Used to change direction at 90° breeching. Can be used as an inspection access in horizontal runs. An optional Dam can be ordered in position #1 or #2 for protection against fluids running out while cleaning.

Included:

For SCL: One (1) Locking Inner "V" Band (BSI) and one (1) Centering Flue Extension (PR-C0794).

For CAX1, CIX1, CIX2, and CIX4: One (1) Locking Inner "V" Band (BSI), one (1) Centering Flue Extension (PR-C0794) and one (1) Locking Outer Band (BSE).

Ø	Effective Length	C	Rise	Offset	CAX1 (1" air Insulated)		CIX1 (1" Insulated)		CIX2 (2" Insulated)		CIX4 (4" Insulated)	
					Standard	Option D1 Or D2	Standard	Option D1 Or D2	Standard	Option D1 Or D2	Standard	Option D1 Or D2
5"	19 11/16"	2"	9 27/32"	9 27/32"	CAX1-5T90	CAX1-5T90D1 or 2	CIX1-5T90	CIX1-5T90D1 or 2	CIX2-5T90	CIX2-5T90D1 or 2	CIX4-5T90	CIX4-5T90D1 or 2
6"	20 11/16"	2"	10 11/32"	10 11/32"	CAX1-6T90	CAX1-6T90D1 or 2	CIX1-6T90	CIX1-6T90D1 or 2	CIX2-6T90	CIX2-6T90D1 or 2	CIX4-6T90	CIX4-6T90D1 or 2
7"	21 11/16"	2"	10 27/32"	10 27/32"	CAX1-7T90	CAX1-7T90D1 or 2	CIX1-7T90	CIX1-7T90D1 or 2	CIX2-7T90	CIX2-7T90D1 or 2	CIX4-7T90	CIX4-7T90D1 or 2
8"	22 11/16"	2"	11 11/32"	11 11/32"	CAX1-8T90	CAX1-8T90D1 or 2	CIX1-8T90	CIX1-8T90D1 or 2	CIX2-8T90	CIX2-8T90D1 or 2	CIX4-8T90	CIX4-8T90D1 or 2
9"	23 11/16"	2"	11 27/32"	11 27/32"	CAX1-9T90	CAX1-9T90D1 or 2	CIX1-9T90	CIX1-9T90D1 or 2	CIX2-9T90	CIX2-9T90D1 or 2	CIX4-9T90	CIX4-9T90D1 or 2
10"	24 11/16"	2"	12 11/32"	12 11/32"	CAX1-10T90	CAX1-10T90D1 or 2	CIX1-10T90	CIX1-10T90D1 or 2	CIX2-10T90	CIX2-10T90D1 or 2	CIX4-10T90	CIX4-10T90D1 or 2
11"	25 11/16"	2"	12 27/32"	12 27/32"	CAX1-11T90	CAX1-11T90D1 or 2	CIX1-11T90	CIX1-11T90D1 or 2	CIX2-11T90	CIX2-11T90D1 or 2	CIX4-11T90	CIX4-11T90D1 or 2
12"	26 11/16"	2"	13 11/32"	13 11/32"	CAX1-12T90	CAX1-12T90D1 or 2	CIX1-12T90	CIX1-12T90D1 or 2	CIX2-12T90	CIX2-12T90D1 or 2	CIX4-12T90	CIX4-12T90D1 or 2
13"	27 11/16"	3"	13 27/32"	13 27/32"	CAX1-13T90	CAX1-13T90D1 or 2	CIX1-13T90	CIX1-13T90D1 or 2	CIX2-13T90	CIX2-13T90D1 or 2	CIX4-13T90	CIX4-13T90D1 or 2
14"	30 11/16"	3"	15 11/32"	15 11/32"	CAX1-14T90	CAX1-14T90D1 or 2	CIX1-14T90	CIX1-14T90D1 or 2	CIX2-14T90	CIX2-14T90D1 or 2	CIX4-14T90	CIX4-14T90D1 or 2
16"	32 11/16"	3"	16 11/32"	16 11/32"	CAX1-16T90	CAX1-16T90D1 or 2	CIX1-16T90	CIX1-16T90D1 or 2	CIX2-16T90	CIX2-16T90D1 or 2	CIX4-16T90	CIX4-16T90D1 or 2
18"	34 11/16"	3"	17 11/32"	17 11/32"	CAX1-18T90	CAX1-18T90D1 or 2	CIX1-18T90	CIX1-18T90D1 or 2	CIX2-18T90	CIX2-18T90D1 or 2	CIX4-18T90	CIX4-18T90D1 or 2
20"	36 11/16"	3"	18 11/32"	18 11/32"	CAX1-20T90	CAX1-20T90D1 or 2	CIX1-20T90	CIX1-20T90D1 or 2	CIX2-20T90	CIX2-20T90D1 or 2	CIX4-20T90	CIX4-20T90D1 or 2
22"	38 11/16"	3"	19 11/32"	19 11/32"	CAX1-22T90	CAX1-22T90D1 or 2	CIX1-22T90	CIX1-22T90D1 or 2	CIX2-22T90	CIX2-22T90D1 or 2	CIX4-22T90	CIX4-22T90D1 or 2
24"	40 11/16"	3"	20 11/32"	20 11/32"	CAX1-24T90	CAX1-24T90D1 or 2	CIX1-24T90	CIX1-24T90D1 or 2	CIX2-24T90	CIX2-24T90D1 or 2	CIX4-24T90	CIX4-24T90D1 or 2
26"	46 11/16"	5"	23 11/32"	23 11/32"	CAX1-26T90	CAX1-26T90D1 or 2	CIX1-26T90	CIX1-26T90D1 or 2	CIX2-26T90	CIX2-26T90D1 or 2	CIX4-26T90	CIX4-26T90D1 or 2
28"	48 11/16"	5"	24 11/32"	24 11/32"	CAX1-28T90	CAX1-28T90D1 or 2	CIX1-28T90	CIX1-28T90D1 or 2	CIX2-28T90	CIX2-28T90D1 or 2	CIX4-28T90	CIX4-28T90D1 or 2
30"	50 11/16"	5"	25 11/32"	25 11/32"	CAX1-30T90	CAX1-30T90D1 or 2	CIX1-30T90	CIX1-30T90D1 or 2	CIX2-30T90	CIX2-30T90D1 or 2	CIX4-30T90	CIX4-30T90D1 or 2
32"	52 11/16"	5"	26 11/32"	26 11/32"	CAX1-32T90	CAX1-32T90D1 or 2	CIX1-32T90	CIX1-32T90D1 or 2	CIX2-32T90	CIX2-32T90D1 or 2	CIX4-32T90	CIX4-32T90D1 or 2
34"	54 11/16"	5"	27 11/32"	27 11/32"	CAX1-34T90	CAX1-34T90D1 or 2	CIX1-34T90	CIX1-34T90D1 or 2	CIX2-34T90	CIX2-34T90D1 or 2	CIX4-34T90	CIX4-34T90D1 or 2
36"	56 11/16"	5"	28 11/32"	28 11/32"	CAX1-36T90	CAX1-36T90D1 or 2	CIX1-36T90	CIX1-36T90D1 or 2	CIX2-36T90	CIX2-36T90D1 or 2	CIX4-36T90	CIX4-36T90D1 or 2

Also available with smaller snout ØB. Code: SCLØT90BØ or CAX1-ØT90ØB, CIX1-ØT90ØB, CIX2-ØT90ØB, CIX4-ØT90ØB

Two different position option of a Dam inside the flue is available. Code for position 1 or 2: SCLØT90D(1or 2) or CAX1-ØT90D, CIX1-ØT90D, CIX2-ØT90D, CIX4-ØT90D (1 or 2).

Materials available: 304, 316.

Flow resistance: K = 1.25

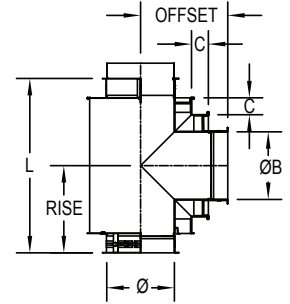
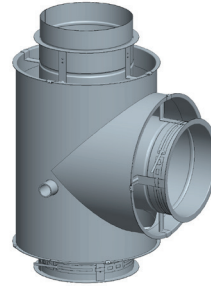
Grease Duct Accessories

90° Tees with Nozzle

Used to change direction at 90° breaching, and provides access for installation or inspection of sprinkler head. 1" NPT nipple.

Included:

For SCL, CAX1, CIX1, CIX2, and CIX4: One Locking V-Band (BSI), one Centering Flue Extension (PR-C0794) and one Locking Outer Band (BSE).



SCL (Single Wall)													
Ø	Effective Length	C	RISE	OFFSET	product code	Effective Length	C	RISE	OFFSET	CAX1 (1" air Insulated)	CIX1 (1" Insulated)	CIX2 (2" Insulated)	CIX4 (4" Insulated)
5"	12 1/16"	0"	6 1/32"	6 1/32"	SCL5T90N	19 11/16"	2"	9 27/32"	9 27/32"	CAX1-5T90N	CIX1-5T90N	CIX2-5T90N	CIX4-5T90N
6"	13 1/16"	0"	6 17/32"	6 17/32"	SCL6T90N	20 11/16"	2"	10 11/32"	10 11/32"	CAX1-6T90N	CIX1-6T90N	CIX2-6T90N	CIX4-6T90N
7"	14 1/16"	0"	7 1/32"	7 1/32"	SCL7T90N	21 11/16"	2"	10 27/32"	10 27/32"	CAX1-7T90N	CIX1-7T90N	CIX2-7T90N	CIX4-7T90N
8"	15 1/16"	0"	7 17/32"	7 17/32"	SCL8T90N	22 11/16"	2"	11 11/32"	11 11/32"	CAX1-8T90N	CIX1-8T90N	CIX2-8T90N	CIX4-8T90N
9"	16 1/16"	0"	8 1/32"	8 1/32"	SCL9T90N	23 11/16"	2"	11 27/32"	11 27/32"	CAX1-9T90N	CIX1-9T90N	CIX2-9T90N	CIX4-9T90N
10"	17 1/16"	0"	8 17/32"	8 17/32"	SCL10T90N	24 11/16"	2"	12 11/32"	12 11/32"	CAX1-10T90N	CIX1-10T90N	CIX2-10T90N	CIX4-10T90N
11"	18 1/16"	0"	9 1/32"	9 1/32"	SCL11T90N	25 11/16"	2"	12 27/32"	12 27/32"	CAX1-11T90N	CIX1-11T90N	CIX2-11T90N	CIX4-11T90N
12"	19 1/16"	0"	9 17/32"	9 17/32"	SCL12T90N	26 11/16"	2"	13 11/32"	13 11/32"	CAX1-12T90N	CIX1-12T90N	CIX2-12T90N	CIX4-12T90N
13"	20 1/16"	0"	10 1/32"	10 1/32"	SCL13T90N	27 11/16"	3"	13 27/32"	13 27/32"	CAX1-13T90N	CIX1-13T90N	CIX2-13T90N	CIX4-13T90N
14"	21 1/16"	0"	10 17/32"	10 17/32"	SCL14T90N	30 11/16"	3"	15 11/32"	15 11/32"	CAX1-14T90N	CIX1-14T90N	CIX2-14T90N	CIX4-14T90N
16"	23 1/16"	0"	11 17/32"	11 17/32"	SCL16T90N	32 11/16"	3"	16 11/32"	16 11/32"	CAX1-16T90N	CIX1-16T90N	CIX2-16T90N	CIX4-16T90N
18"	25 1/16"	0"	12 17/32"	12 17/32"	SCL18T90N	34 11/16"	3"	17 11/32"	17 11/32"	CAX1-18T90N	CIX1-18T90N	CIX2-18T90N	CIX4-18T90N
20"	27 1/16"	0"	13 17/32"	13 17/32"	SCL20T90N	36 11/16"	3"	18 11/32"	18 11/32"	CAX1-20T90N	CIX1-20T90N	CIX2-20T90N	CIX4-20T90N
22"	29 1/16"	0"	14 17/32"	14 17/32"	SCL22T90N	38 11/16"	3"	19 11/32"	19 11/32"	CAX1-22T90N	CIX1-22T90N	CIX2-22T90N	CIX4-22T90N
24"	31 1/16"	0"	15 17/32"	15 17/32"	SCL24T90N	40 11/16"	3"	20 11/32"	20 11/32"	CAX1-24T90N	CIX1-24T90N	CIX2-24T90N	CIX4-24T90N
26"	33 1/16"	0"	16 17/32"	16 17/32"	SCL26T90N	46 11/16"	5"	23 11/32"	23 11/32"	CAX1-26T90N	CIX1-26T90N	CIX2-26T90N	CIX4-26T90N
28"	35 1/16"	0"	17 17/32"	17 17/32"	SCL28T90N	48 11/16"	5"	24 11/32"	24 11/32"	CAX1-28T90N	CIX1-28T90N	CIX2-28T90N	CIX4-28T90N
30"	37 1/16"	0"	18 17/32"	18 17/32"	SCL30T90N	50 11/16"	5"	25 11/32"	25 11/32"	CAX1-30T90N	CIX1-30T90N	CIX2-30T90N	CIX4-30T90N
32"	39 1/16"	0"	19 17/32"	19 17/32"	SCL32T90N	52 11/16"	5"	26 11/32"	26 11/32"	CAX1-32T90N	CIX1-32T90N	CIX2-32T90N	CIX4-32T90N
34"	41 1/16"	0"	20 17/32"	20 17/32"	SCL34T90N	54 11/16"	5"	27 11/32"	27 11/32"	CAX1-34T90N	CIX1-34T90N	CIX2-34T90N	CIX4-34T90N
36"	43 1/16"	0"	21 17/32"	21 17/32"	SCL36T90N	56 11/16"	5"	28 11/32"	28 11/32"	CAX1-36T90N	CIX1-36T90N	CIX2-36T90N	CIX4-36T90N

Materials available: 304, 316.

Also available with smaller snout ØB. Code: SCLØT90NØB or CAX1-ØT90NØB, CIX1-ØT90NØB, CIX2-ØT90NØB, CIX4-ØT90NØB

Flow resistance: K = 1.25 + an unknown value for the sprinkler head. Contact sprinkler head manufacturer

Grease Duct Accessories

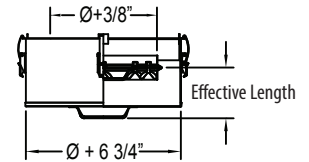
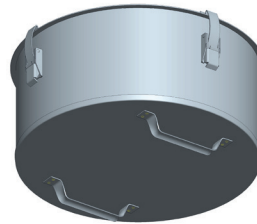
No Tool Access Tee Cap

Used to close and seal unused tee ports. Provides easy and toolless access for inspection.

Included:

For SCL: One (1) disc, one (1) annular disc with rivnuts, one (1) SMALL Locking Inner "V" Band (BSI), wing screws and hardware.

For CAX1, CIX1, CIX2, and CIX4: One (1) disc, one (1) annular disc with rivnuts, one (1) SMALL Locking Inner "V" Band (BSI), one (1) outer casing with latches, one (1) insulation wrap, three (3) insulation disc, wing screws and hardware.



Ø (in.)	SCL (Single Wall)			CAX1 (1" Air Insulated) / CIX1 (1" Wool Insulated)				CIX2 (2" Wool Insulated)			CIX4 (4" Wool Insulated)		
	Total Length (in)	Effective Length (in)	Product Code	Total Length (in)	Effective Length (in)	Product Code		Total Length (in)	Effective Length (in)	Product Code	Total Length (in)	Effective Length (in)	Product Code
5" to 36"	1	1	SCLØNTTC	5 1/2	2 3/4	CAX1-ØNTTC	CIX1-ØNTTC	6 1/2	3 3/4	CIX2-ØNTTC	8 1/2	5 3/4	CIX4-ØNTTC

Materials available: 304, 316

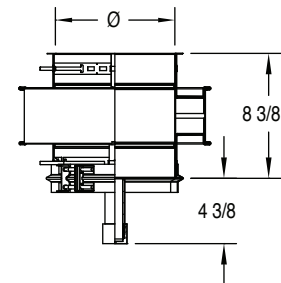
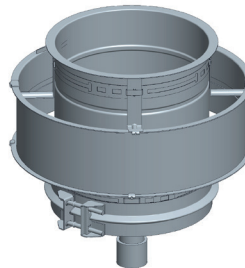
Drain Bucket

Used at the base of a vertical riser as a drain reservoir and to provide cleanout access. Made of a short Length with a drain tee cap. 1" NPT nipple.

Included:

For SCL: One (1) small length plus one (1) drain Tee Cap (DTC).

For CAX1, CIX1, CIX2, and CIX4: One (1) small length plus one (1) drain Tee Cap (DTC).



Ø (in.)	Effective Length (in)	SCL (Single Wall)	CAX1 (1" Air Insulated)	CIX1 (1" Insulated)	CIX2 (2" Insulated)	CIX4 (4" Insulated)
Ø5" to Ø36"	8 3/4"	SCLØDB	CAX1-ØDB	CIX1-ØDB	CIX2-ØDB	CIX4-ØDB

Materials available: 304, 316.

Grease Duct Accessories

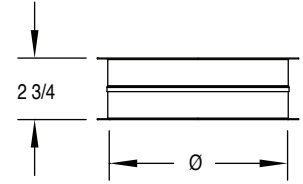
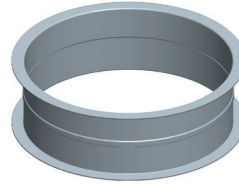
Round Flanged Hood Adaptor

Used to connect the first duct section to hood. Can be field welded or supplied to Hood manufacturer for installation (by others).

Included:

For **SCL**: One (1) Locking Inner "V" Band (BSI).

For **CAX1, CIX1, CIX2, and CIX4**: One (1) Locking Inner "V" Band (BSI), one (1) Locking Outer Band (BSE).



Ø (in.)	Effective Length (in)	SCL (Single Wall)	CAX1 (1" Air Insulated)	CIX1 (1" Insulated)	CIX2 (2" Insulated)	CIX4 (4" Insulated)
Ø5" to Ø36"	2 3/4"	SCLØRFHA	CAX1-ØRFHA	CIX1-ØRFHA	CIX2-ØRFHA	CIX4-ØRFHA

Materials available: 304, 316.

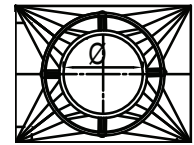
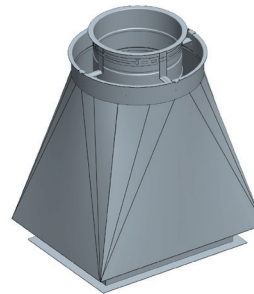
Flow resistance: $K = 0.825/\text{Ø}$

Square to Round Adaptor

Used to connect a round duct to a hood equipped with a square/rectangular collar or to connect to a square duct.

STR's are a custom part and all requests need to go through the design group at layouts@securitychimneys.com

Custom parts are non-returnable and may require extra production time.



Grease Duct Accessories

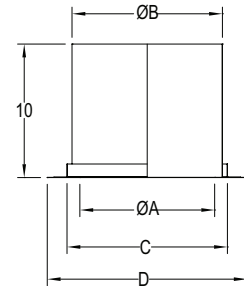
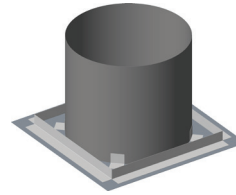
Grease Duct Roof / Floor Thimble

Used when pipe passes through a combustible roof / floor structure to reduce clearances to combustibles. The RT allows for pipe expansion and contraction the roof. See installation instructions for hole opening for the right clearance of each diameter and other specifications. Effective Length = 0".

NOTE: NOT AVAILABLE FOR MODEL SCL

Included:

For CAX1, CIX1, CIX2, and CIX4: One (1) Roof / Floor Thimble only



Ø (in.)	Total Length (in.)	CAX1 (1" Air Insulated)					CIX1 (1" Wool Insulated)				
		ØA - Plate's Hole (in.)	ØB - Wall (in)	C - Roof Square opening dimensions (in)	D - Square Plate dimension (in)	Product Code	ØA - Plate's Hole (in.)	ØB - Wall (in)	C - Roof Square opening dimensions (in)	D - Square Plate dimension (in)	Product Code
5	10	8 1/4	12 1/4	15	18	CAX1-5GDRT	8 1/4	10 1/4	11	14	CIX1-5GDRT
6		9 1/4	14 1/4	18	21	CAX1-6GDRT	9 1/4	11 1/4	12	15	CIX1-6GDRT
7		10 1/4	15 1/4	19	22	CAX1-7GDRT	10 1/4	12 1/4	13	16	CIX1-7GDRT
8		11 1/4	16 1/4	20	23	CAX1-8GDRT	11 1/4	13 1/4	14	17	CIX1-8GDRT
9		12 1/4	17 1/4	21	24	CAX1-9GDRT	12 1/4	14 1/4	15	18	CIX1-9GDRT
10		13 1/4	18 1/4	22	25	CAX1-10GDRT	13 1/4	15 1/4	16	19	CIX1-10GDRT
11		14 1/4	19 1/4	23	26	CAX1-11GDRT	14 1/4	16 1/4	17	20	CIX1-11GDRT
12		15 1/4	21 1/4	26	29	CAX1-12GDRT	15 1/4	17 1/4	18	21	CIX1-12GDRT
13		16 1/4	22 1/4	27	30	CAX1-13GDRT	16 1/4	18 1/4	19	22	CIX1-13GDRT
14		17 1/4	23 1/4	28	31	CAX1-14GDRT	17 1/4	20 1/4	22	25	CIX1-14GDRT
16		19 1/4	25 1/4	30	33	CAX1-16GDRT	19 1/4	22 1/4	24	27	CIX1-16GDRT
18		21 1/4	28 1/4	34	37	CAX1-18GDRT	21 1/4	24 1/4	26	29	CIX1-18GDRT
20		23 1/4	30 1/4	36	39	CAX1-20GDRT	23 1/4	26 1/4	28	31	CIX1-20GDRT
22		25 1/4	32 1/4	38	41	CAX1-22GDRT	25 1/4	28 1/4	30	33	CIX1-22GDRT
24		27 1/4	35 1/4	42	45	CAX1-24GDRT	27 1/4	30 1/4	32	35	CIX1-24GDRT
26		29 1/4	37 1/4	44	47	CAX1-26GDRT	29 1/4	33 1/4	36	39	CIX1-26GDRT
28		31 1/4	39 1/4	46	49	CAX1-28GDRT	31 1/4	35 1/4	38	41	CIX1-28GDRT
30		33 1/4	42 1/4	50	53	CAX1-30GDRT	33 1/4	37 1/4	40	43	CIX1-30GDRT
32	35 1/4	44 1/4	52	58	CAX1-32GDRT	35 1/4	39 1/4	42	45	CIX1-32GDRT	
34	37 1/4	46 1/4	54	57	CAX1-34GDRT	37 1/4	41 1/4	44	47	CIX1-34GDRT	
36	39 1/4	49 1/4	58	61	CAX1-36GDRT	39 1/4	44 1/4	48	51	CIX1-36GDRT	

Material options (all): Galvalume

Grease Duct Accessories

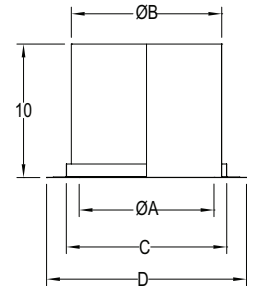
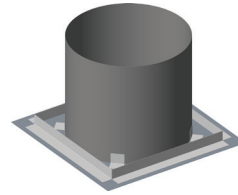
Grease Duct Roof / Floor Thimble continued

Used when pipe passes through a combustible roof / floor structure to reduce clearances to combustibles. The RT allows for pipe expansion and contraction the roof. See installation instructions for hole opening for the right clearance of each diameter and other specifications. Effective Length = 0".

NOTE: NOT AVAILABLE FOR MODEL SCL

Included:

For CAX1, CIX1, CIX2, and CIX4: One (1) Roof / Floor Thimble only



Ø (in.)	Total Length (in.)	CIX2 (2" Wool Insulated)					CIX4 (4" Wool Insulated)				
		ØA - Plate's Hole (in.)	ØB - Wall (in)	C - Roof Square opening dimensions (in)	D - Square Plate dimension (in)	Product Code	ØA - Plate's Hole (in.)	ØB - Wall (in)	C - Roof Square opening dimensions (in)	D - Square Plate dimension (in)	Product Code
5	10	10 1/4	10 1/2	11	14	CIX2-5GDRT	14 1/4	14 1/2	15	18	CIX4-5GDRT
6		11 1/4	11 1/2	12	15	CIX2-6GDRT	15 1/4	15 1/2	16	19	CIX4-6GDRT
7		12 1/4	12 1/2	13	16	CIX2-7GDRT	16 1/4	16 1/2	17	20	CIX4-7GDRT
8		13 1/4	13 1/2	14	17	CIX2-8GDRT	17 1/4	17 1/2	18	21	CIX4-8GDRT
9		14 1/4	14 1/2	15	18	CIX2-9GDRT	18 1/4	18 1/2	19	22	CIX4-9GDRT
10		15 1/4	15 1/2	16	19	CIX2-10GDRT	19 1/4	19 1/2	20	23	CIX4-10GDRT
11		16 1/4	16 1/2	17	20	CIX2-11GDRT	20 1/4	20 1/2	21	24	CIX4-11GDRT
12		17 1/4	17 1/2	18	21	CIX2-12GDRT	21 1/4	21 1/2	22	25	CIX4-12GDRT
13		18 1/4	18 1/2	19	22	CIX2-13GDRT	22 1/4	22 1/2	23	26	CIX4-13GDRT
14		19 1/4	19 1/2	20	23	CIX2-14GDRT	23 1/4	23 1/2	24	27	CIX4-14GDRT
16		21 1/4	21 1/4	22	25	CIX2-16GDRT	25 1/4	25 1/4	26	29	CIX4-16GDRT
18		23 1/4	25 1/4	26	29	CIX2-18GDRT	27 1/4	29 1/4	30	33	CIX4-18GDRT
20		25 1/4	27 1/4	28	31	CIX2-20GDRT	29 1/4	31 1/4	32	35	CIX4-20GDRT
22		27 1/4	29 1/4	30	33	CIX2-22GDRT	31 1/4	33 1/4	34	37	CIX4-22GDRT
24		29 1/4	31 1/4	32	35	CIX2-24GDRT	33 1/4	35 1/4	36	39	CIX4-24GDRT
26		31 1/4	33 1/4	34	37	CIX2-26GDRT	35 1/4	37 1/4	38	41	CIX4-26GDRT
28		33 1/4	35 1/4	36	39	CIX2-28GDRT	37 1/4	39 1/4	40	43	CIX4-28GDRT
30		35 1/4	37 1/4	38	41	CIX2-30GDRT	39 1/4	41 1/4	42	45	CIX4-30GDRT
32	37 1/4	40 1/4	42	45	CIX2-32GDRT	41 1/4	44 1/4	46	49	CIX4-32GDRT	
34	39 1/4	42 1/4	44	47	CIX2-34GDRT	43 1/4	46 1/4	48	51	CIX4-34GDRT	
36	41 1/4	44 1/4	46	49	CIX2-36GDRT	45 1/4	48 1/4	50	53	CIX4-36GDRT	

Material options (all): Galvalume

Grease Duct Accessories

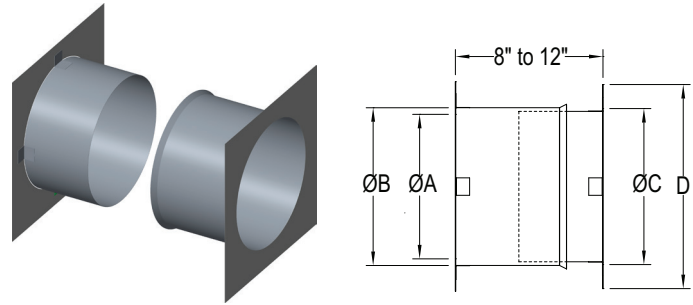
Grease Duct Wall Thimble

Used when pipe passes through a combustible wall structure to reduce clearances to combustibles. The WT allows for pipe expansion and contraction of the roof. The part consists of a wall thimble female half and a male wall thimble half that slide in each other to adjust wall thickness from 8" to 12". See installation instructions for hole opening for the right clearance for each models and other specifications. Effective Length = 0".

NOTE: NOT AVAILABLE FOR MODEL SCL

Included:

For CAX1, CIX1, CIX2, and CIX4: One (1) wall thimble female half, and one (1) wall thimble male half.



Ø (in.)	Total Length (in.)	CAX1 (1" Air Insulated)					CIX1 (1" Wool Insulated)				
		ØA - Plate's Hole (in.)	ØB - Female Wall (in)	C - Male Wall (in)	D - Square Plate dimension (in)	Product Code	ØA - Plate's Hole (in.)	ØB - Female Wall (in)	C - Male Wall (in)	D - Square Plate dimension (in)	Product Code
5	8"	8 1/4	12 1/4	12 5/32	18	CAX1-5GDWT	8 1/4	10 1/4	10 5/32	14	CIX1-5GDWT
6		9 1/4	14 1/4	14 5/32	21	CAX1-6GDWT	9 1/4	11 1/4	11 5/32	15	CIX1-6GDWT
7		10 1/4	15 1/4	15 5/32	22	CAX1-7GDWT	10 1/4	12 1/4	12 5/32	16	CIX1-7GDWT
8		11 1/4	16 1/4	16 5/32	23	CAX1-8GDWT	11 1/4	13 1/4	13 5/32	17	CIX1-8GDWT
9		12 1/4	17 1/4	17 5/32	24	CAX1-9GDWT	12 1/4	14 1/4	14 5/32	18	CIX1-9GDWT
10		13 1/4	18 1/4	18 5/32	25	CAX1-10GDWT	13 1/4	15 1/4	15 5/32	19	CIX1-10GDWT
11		14 1/4	19 1/4	19 5/32	26	CAX1-11GDWT	14 1/4	16 1/4	16 5/32	20	CIX1-11GDWT
12		15 1/4	21 1/4	21 5/32	29	CAX1-12GDWT	15 1/4	17 1/4	17 5/32	21	CIX1-12GDWT
13		16 1/4	22 1/4	22 5/32	30	CAX1-13GDWT	16 1/4	18 1/4	18 5/32	22	CIX1-13GDWT
14		17 1/4	23 1/4	23 5/32	31	CAX1-14GDWT	17 1/4	20 1/4	20 5/32	25	CIX1-14GDWT
16		19 1/4	25 1/4	25 5/32	33	CAX1-16GDWT	19 1/4	22 1/4	22 5/32	27	CIX1-16GDWT
18		21 1/4	28 1/4	28 5/32	37	CAX1-18GDWT	21 1/4	24 1/4	24 5/32	29	CIX1-18GDWT
20		23 1/4	30 1/4	30 5/32	39	CAX1-20GDWT	23 1/4	26 1/4	26 5/32	31	CIX1-20GDWT
22		25 1/4	32 1/4	32 5/32	41	CAX1-22GDWT	25 1/4	28 1/4	28 5/32	33	CIX1-22GDWT
24		27 1/4	35 1/4	35 5/32	45	CAX1-24GDWT	27 1/4	30 1/4	30 5/32	35	CIX1-24GDWT
26		29 1/4	37 1/4	37 5/32	47	CAX1-26GDWT	29 1/4	33 1/4	33 5/32	39	CIX1-26GDWT
28		31 1/4	39 1/4	39 5/32	49	CAX1-28GDWT	31 1/4	35 1/4	35 5/32	41	CIX1-28GDWT
30		33 1/4	42 1/4	42 5/32	53	CAX1-30GDWT	33 1/4	37 1/4	37 5/32	43	CIX1-30GDWT
32	35 1/4	44 1/4	44 5/32	55	CAX1-32GDWT	35 1/4	39 1/4	39 5/32	45	CIX1-32GDWT	
34	37 1/4	46 1/4	46 5/32	57	CAX1-34GDWT	37 1/4	41 1/4	41 5/32	47	CIX1-34GDWT	
36	39 1/4	49 1/4	49 5/32	61	CAX1-36GDWT	39 1/4	44 1/4	44 5/32	51	CIX1-36GDWT	

Material options (all): Galvalume

Grease Duct Accessories

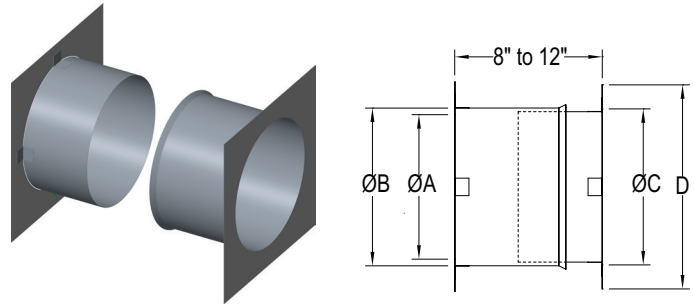
Grease Duct Wall Thimble

Used when pipe passes through a combustible wall structure to reduce clearances to combustibles. The WT allows for pipe expansion and contraction of the roof. The part consists of a wall thimble female half and a male wall thimble half that slide in each other to adjust wall thickness from 8" to 12". See installation instructions for hole opening for the right clearance for each models and other specifications. Effective Length = 0".

NOTE: NOT AVAILABLE FOR MODEL SCL

Included:

For CAX1, CIX1, CIX2, and CIX4: One (1) wall thimble female half, and one (1) wall thimble male half.



Ø (in.)	Total Length (in.)	CIX2 (2" Wool Insulated)					CIX4 (4" Wool Insulated)				
		ØA - Plate's Hole (in.)	ØB - Female Wall (in)	C - Male Wall (in)	D - Square Plate dimension (in)	Product Code	ØA - Plate's Hole (in.)	ØB - Female Wall (in)	C - Male Wall (in)	D - Square Plate dimension (in)	Product Code
5	8"	10 1/4	10 1/2	10 13/32	14	CIX2-5GDWT	14 1/4	14 1/2	14 13/32	18	CIX4-5GDWT
6		11 1/4	11 1/2	11 13/32	15	CIX2-6GDWT	15 1/4	15 1/2	15 13/32	19	CIX4-6GDWT
7		12 1/4	12 1/2	12 13/32	16	CIX2-7GDWT	16 1/4	16 1/2	16 13/32	20	CIX4-7GDWT
8		13 1/4	13 1/2	13 13/32	17	CIX2-8GDWT	17 1/4	17 1/2	17 13/32	21	CIX4-8GDWT
9		14 1/4	14 1/2	14 13/32	18	CIX2-9GDWT	18 1/4	18 1/2	18 13/32	22	CIX4-9GDWT
10		15 1/4	15 1/2	15 13/32	19	CIX2-10GDWT	19 1/4	19 1/2	19 13/32	23	CIX4-10GDWT
11		16 1/4	16 1/2	16 13/32	20	CIX2-11GDWT	20 1/4	20 1/2	20 13/32	24	CIX4-11GDWT
12		17 1/4	17 1/2	17 13/32	21	CIX2-12GDWT	21 1/4	21 1/2	21 13/32	25	CIX4-12GDWT
13		18 1/4	18 1/2	18 13/32	22	CIX2-13GDWT	22 1/4	22 1/2	22 13/32	26	CIX4-13GDWT
14		19 1/4	19 1/2	19 13/32	23	CIX2-14GDWT	23 1/4	23 1/2	23 13/32	27	CIX4-14GDWT
16		21 1/4	21 1/2	21 13/32	25	CIX2-16GDWT	25 1/4	25 1/2	25 13/32	29	CIX4-16GDWT
18		23 1/4	25 1/4	25 5/32	29	CIX2-18GDWT	27 1/4	29 1/4	29 5/32	33	CIX4-18GDWT
20		25 1/4	27 1/4	27 5/32	31	CIX2-20GDWT	29 1/4	31 1/4	31 5/32	35	CIX4-20GDWT
22		27 1/4	29 1/4	29 5/32	33	CIX2-22GDWT	31 1/4	33 1/4	33 5/32	37	CIX4-22GDWT
24		29 1/4	31 1/4	31 5/32	35	CIX2-24GDWT	33 1/4	35 1/4	35 5/32	39	CIX4-24GDWT
26		31 1/4	33 1/4	33 5/32	37	CIX2-26GDWT	35 1/4	37 1/4	37 5/32	41	CIX4-26GDWT
28		33 1/4	35 1/4	35 5/32	39	CIX2-28GDWT	37 1/4	39 1/4	39 5/32	43	CIX4-28GDWT
30		35 1/4	37 1/4	37 5/32	41	CIX2-30GDWT	39 1/4	41 1/4	41 5/32	45	CIX4-30GDWT
32		37 1/4	40 1/4	40 5/32	45	CIX2-32GDWT	41 1/4	44 1/4	44 5/32	49	CIX4-32GDWT
34		39 1/4	42 1/4	42 5/32	47	CIX2-34GDWT	43 1/4	46 1/4	46 5/32	51	CIX4-34GDWT
36	41 1/4	44 1/4	44 5/32	49	CIX2-36GDWT	45 1/4	48 1/4	48 5/32	53	CIX4-36GDWT	

Material options (all): Galvalume

www.securitychimneys.com

Security Chimneys International

2125 Monterey, Laval, Quebec
Canada, H7L 3T6

450-973-9999

800-361-4909 (US)

800-667-3387 (Canada)

450-973-2222 (Fax)

Need product information or technical support? Our customer service specialists are ready to answer your questions:

800-667-3387 or contact
infoeng@securitychimneys.com



PROCIX
LS480_Catalog_Secure Stack Pro_10-16-18_V3
www.securitychimneys.com **800-361-4909 (US)** **800-667-3387 (Canada)**

Security Chimneys International © 2016, 2017
Information published in all Security Chimneys literature is current at time of publication and is subject to change without notice.